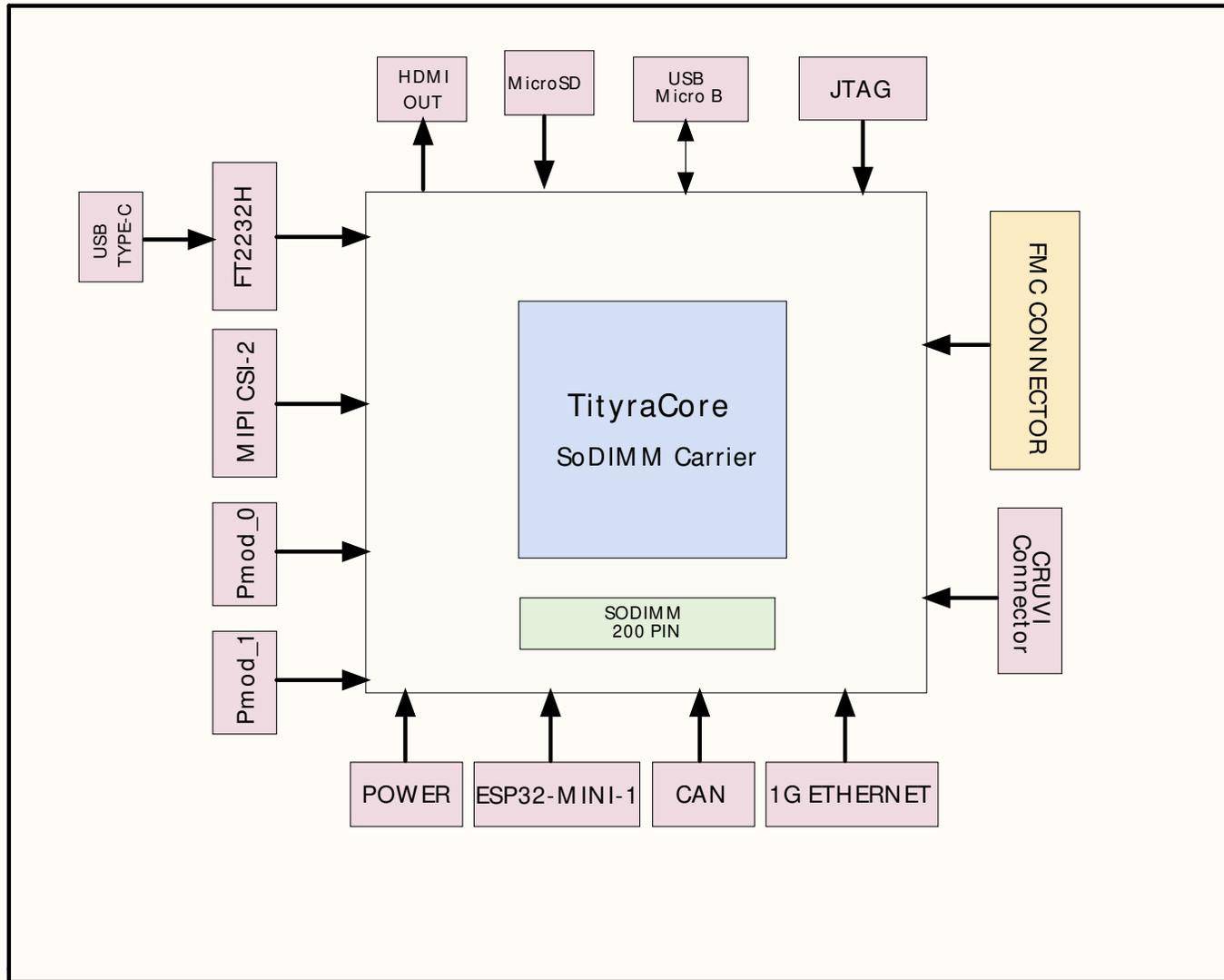
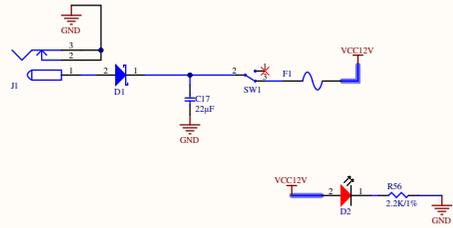


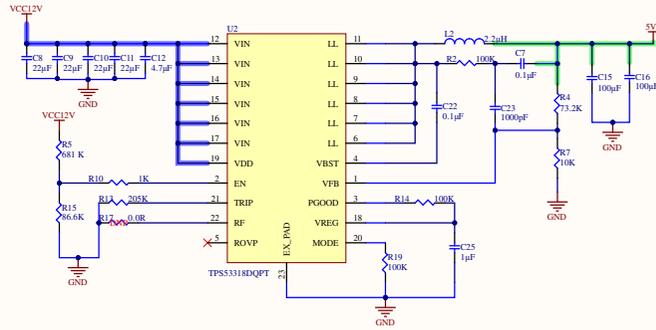
BLOCK DIAGRAM



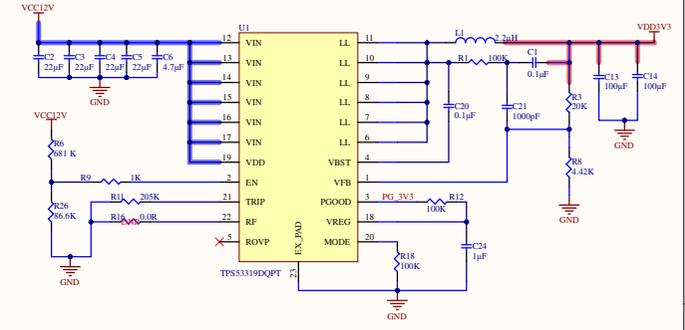
INPUT POWER 12V0



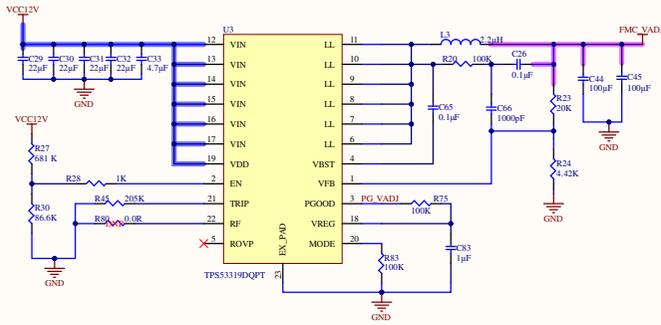
POWER 5V0



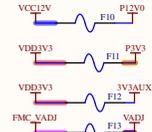
POWER 3V3



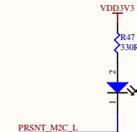
POWER VADJ 3V3



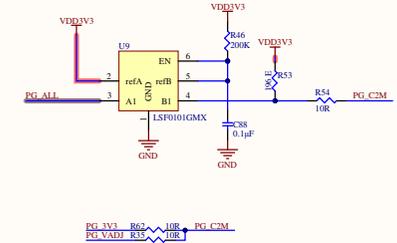
FMC INPUT FUSE



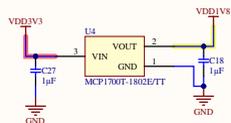
FMC PRSNT SIG



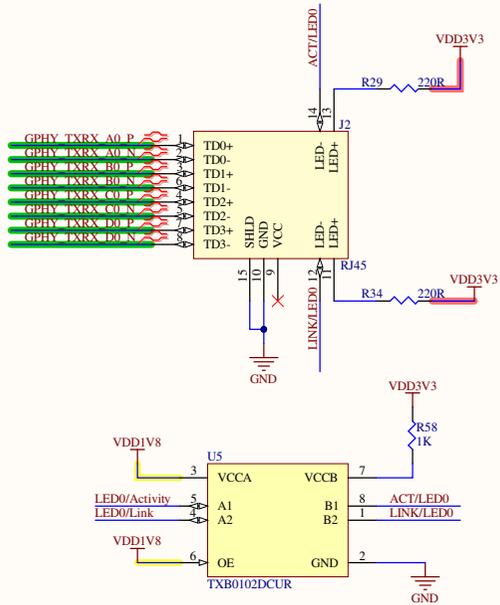
POWER OK



POWER 1V8

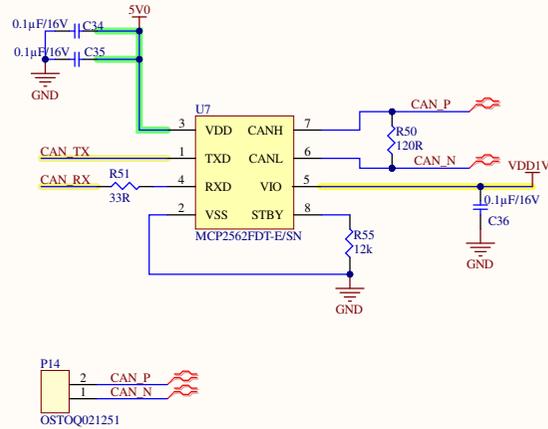


ETHERNET

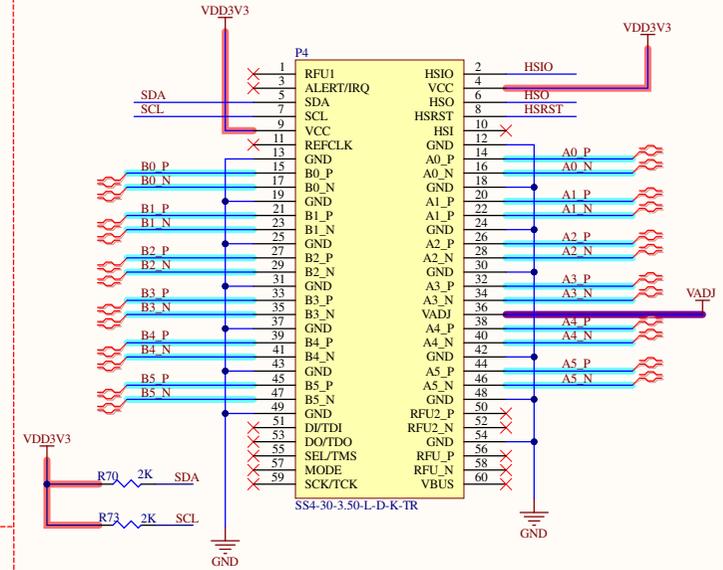


If using RJ45 & 1.8 VDDIO, a level shifting is required from 3.3V led to 1.8V

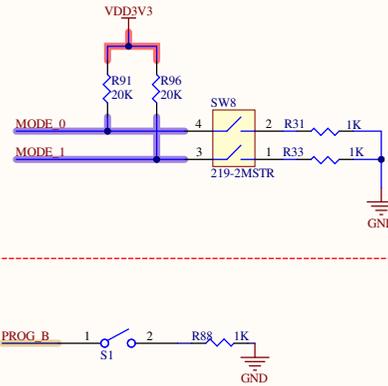
CAN 0



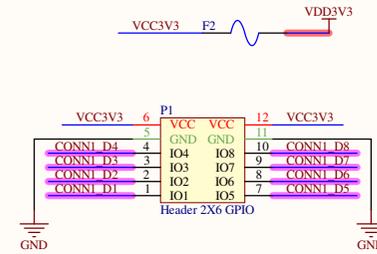
CRUVI HS Connector



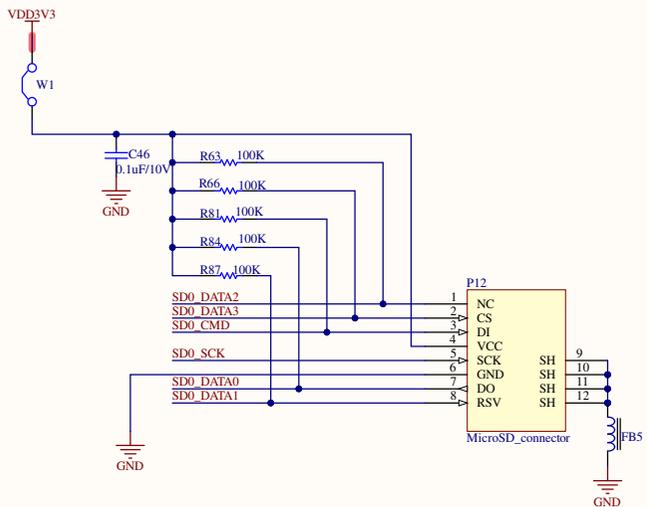
MODE SELECTION



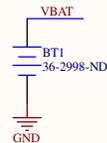
Pmod



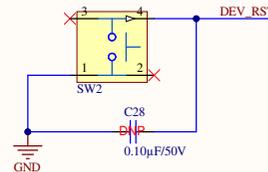
MicroSD



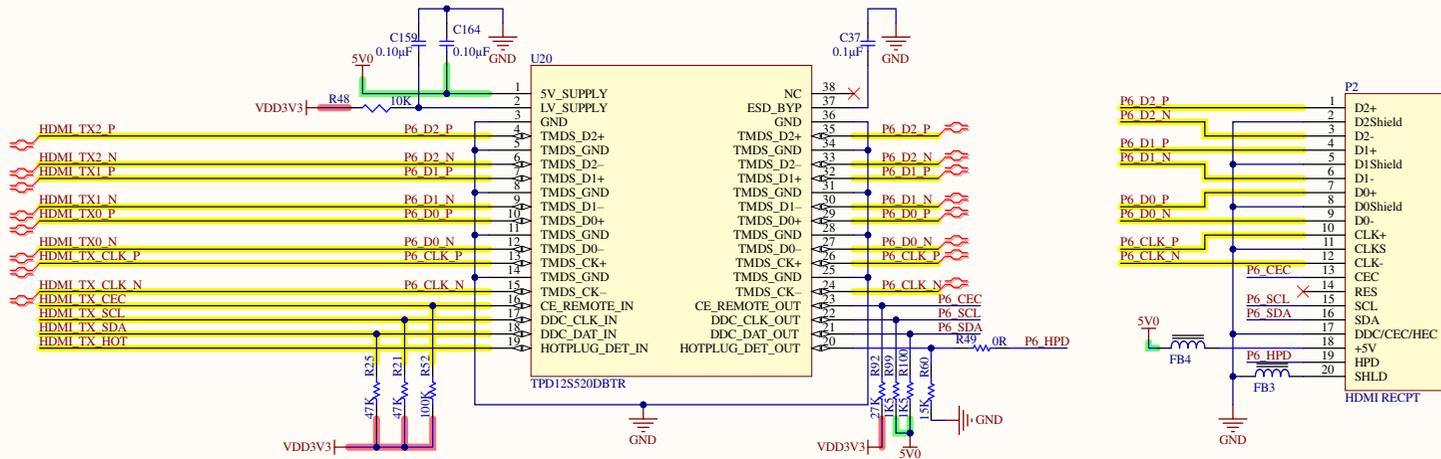
VBAT



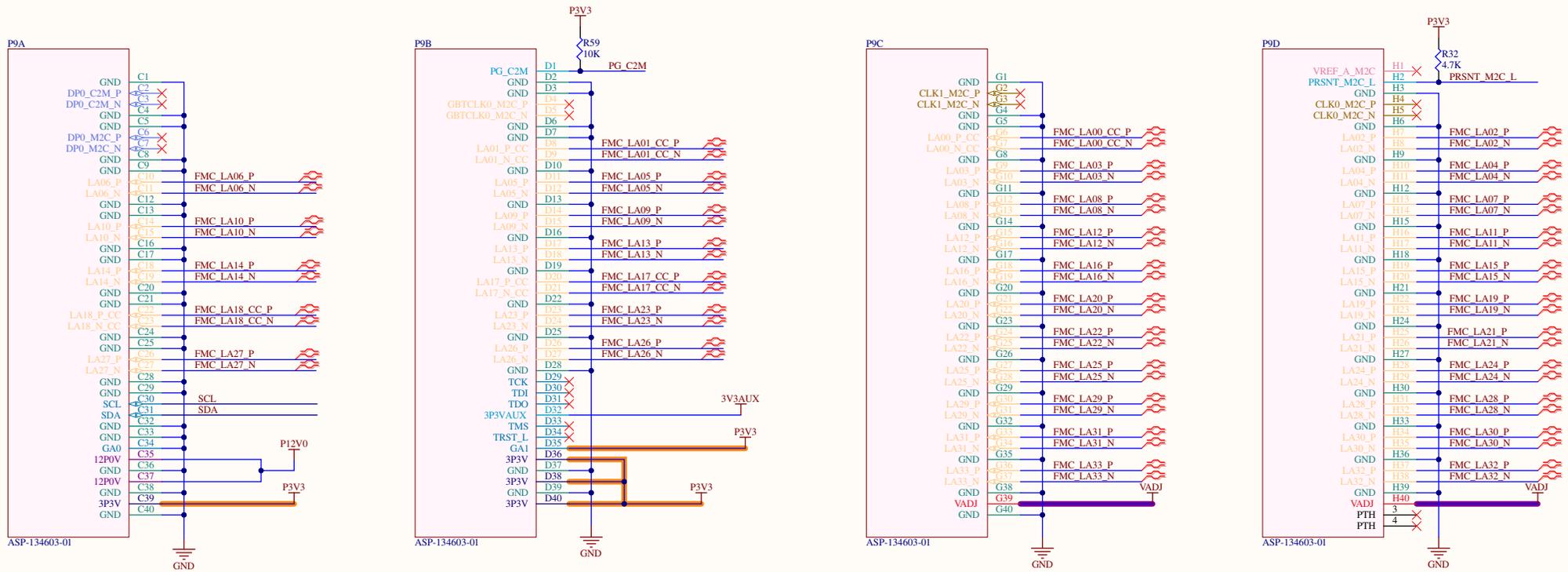
RESET CFG



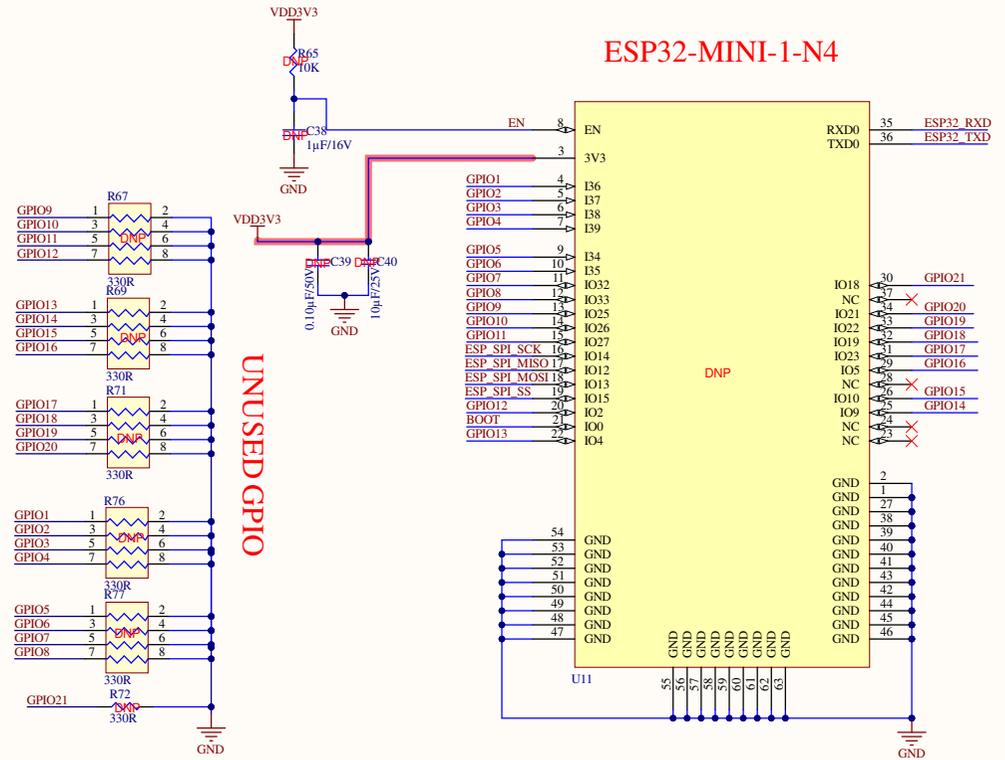
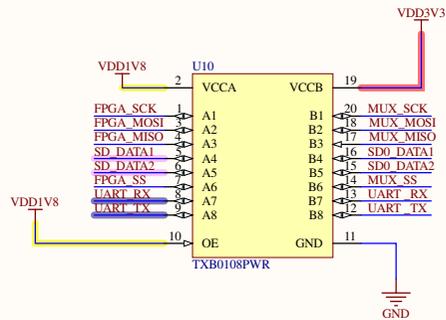
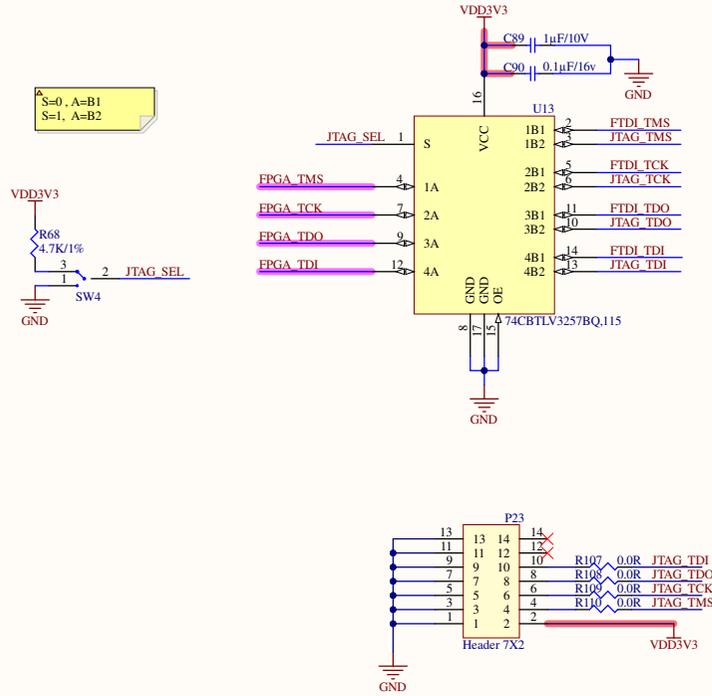
HDMI OUT



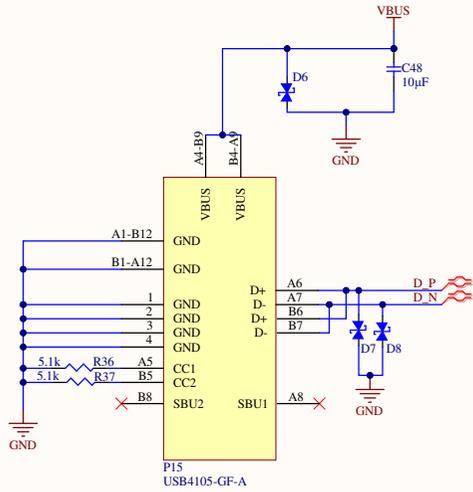
FMC LPC



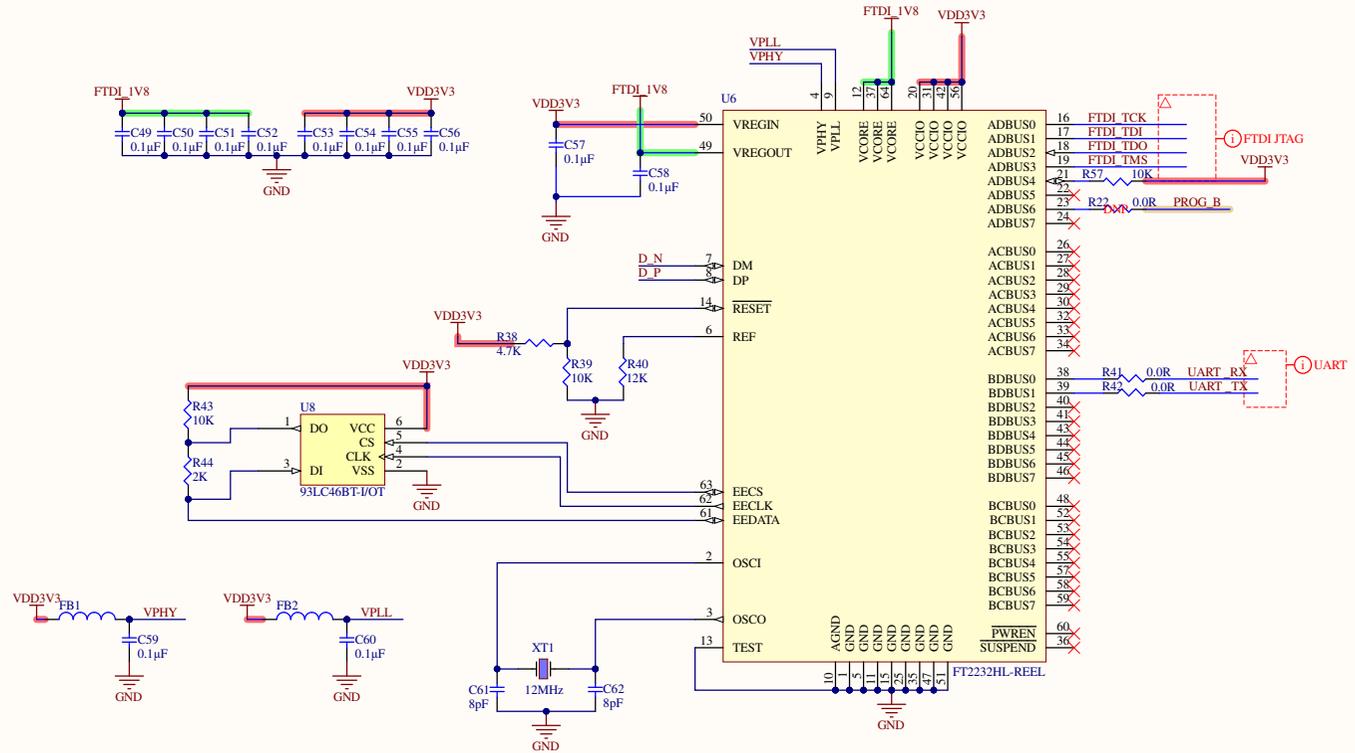
JTAG_CHAIN CONNECTION



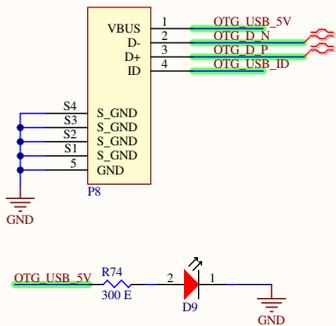
USB_TYPEC



FTDI USB



USB_OTG



MIPi CSI-2

