
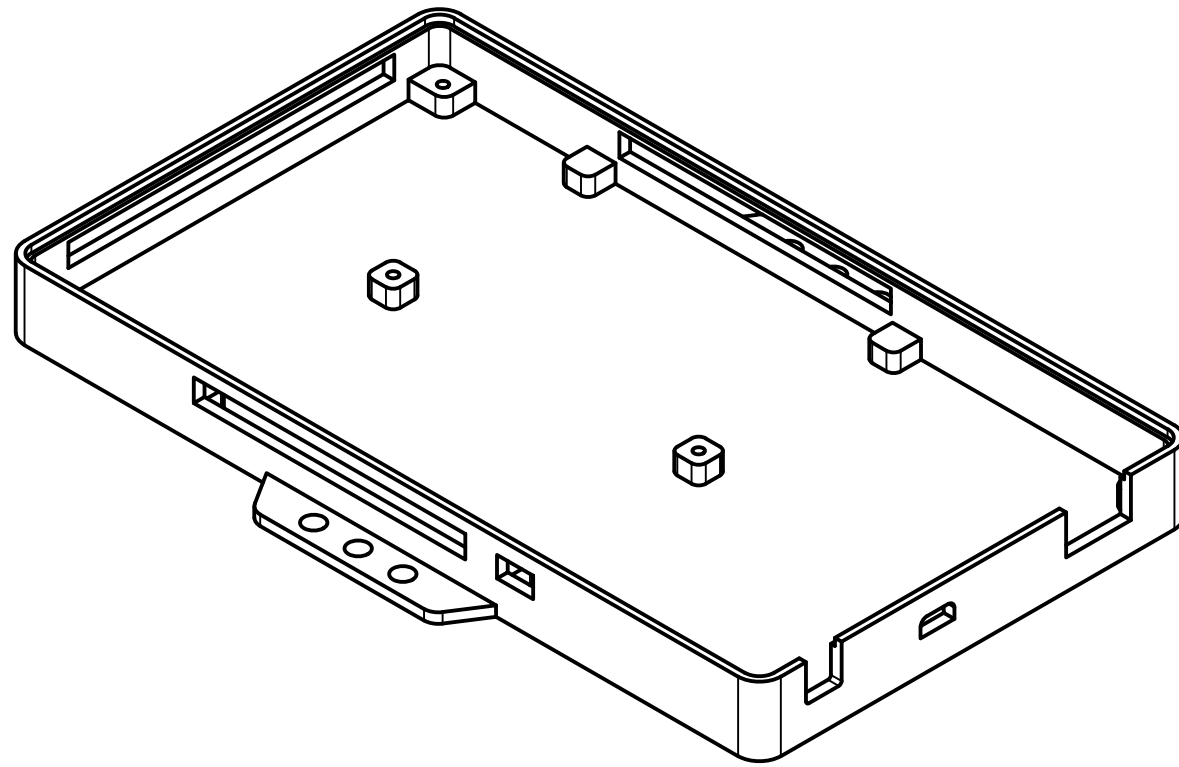
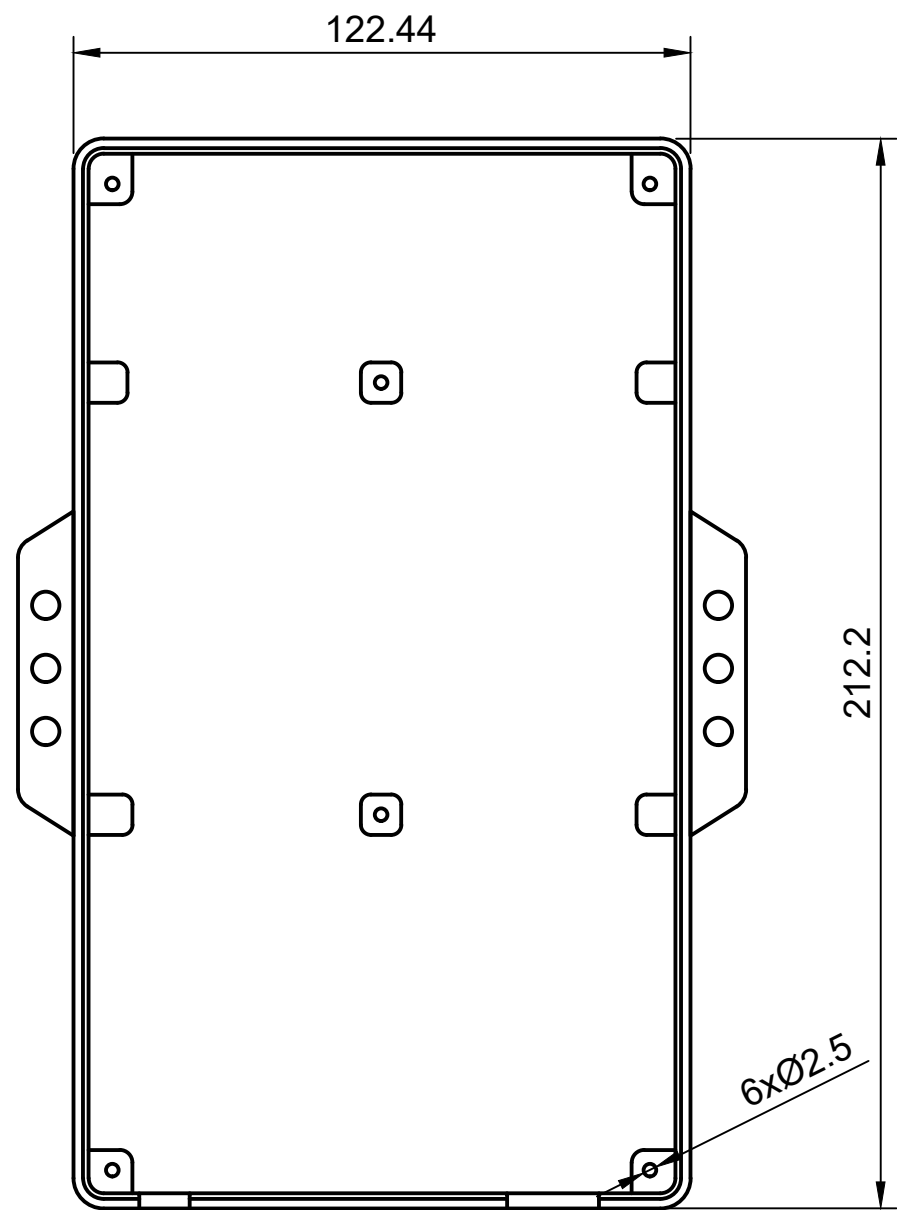
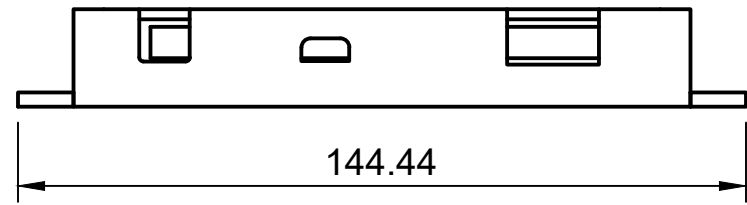

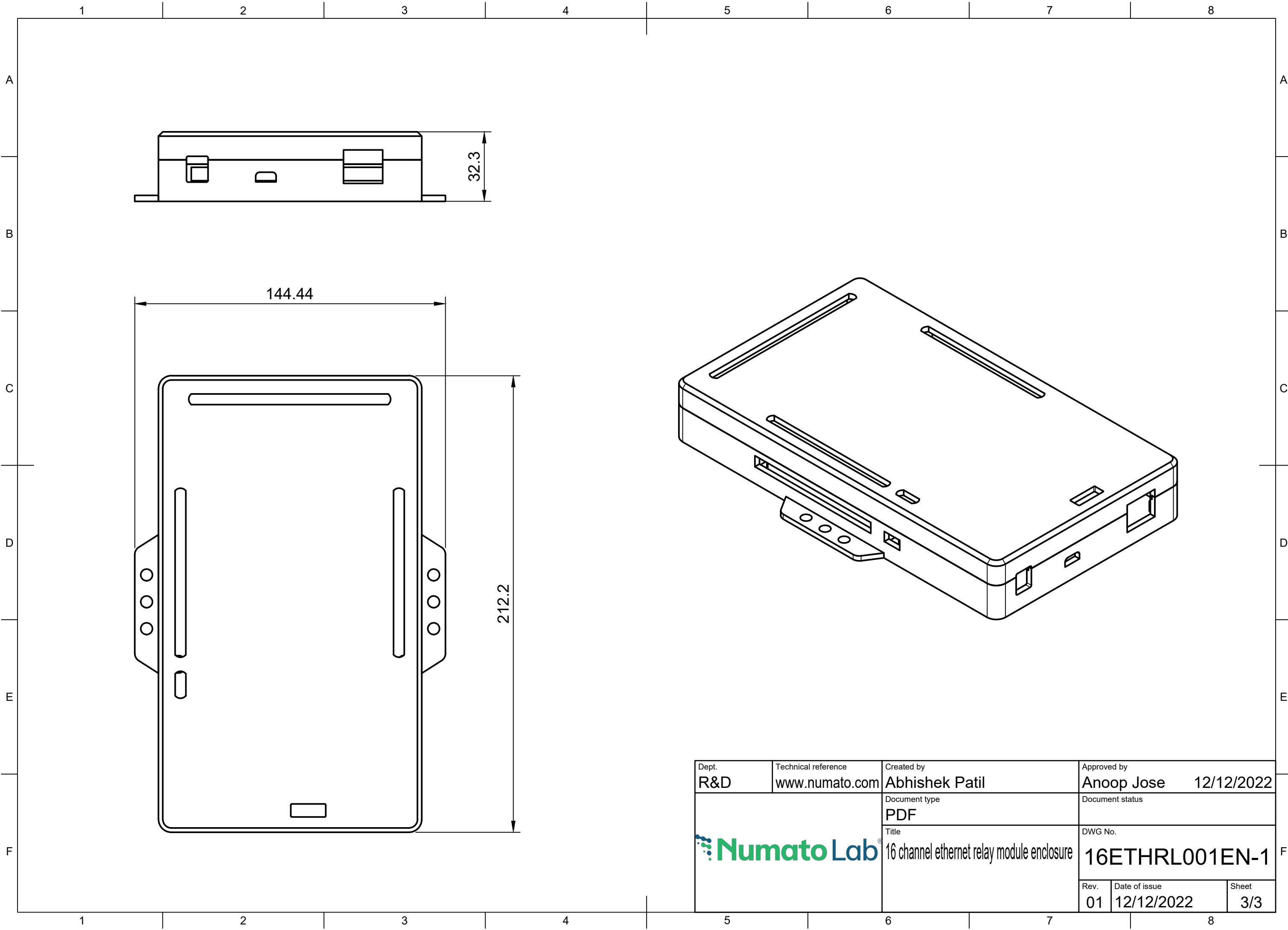



Dept. R&D	Technical reference www.numato.com	Created by Abhishek Patil	Approved by Anoop Jose 12/12/2022
		Document type PDF	Document status
		Title 16 channel ethernet relay module enclosure	DWG No. 16ETHRL001EN-1
Rev. 01	Date of issue 12/12/2022	Sheet 1/3	



Dept. R&D	Technical reference www.numato.com	Created by Abhishek Patil	Approved by Anoop Jose 12/12/2022
		Document type PDF	Document status
		Title 16 channel ethernet relay module enclosure	DWG No. 16ETHRL001EN-1
Rev. 01	Date of issue 12/12/2022	Sheet 2/3	



Dept. R&D	Technical reference www.numato.com	Created by Abhishek Patil	Approved by Anoop Jose 12/12/2022
		Document type PDF	Document status
		Title 16 channel ethernet relay module enclosure	DWG No. 16ETHRL001EN-1
		Rev. 01	Date of issue 12/12/2022