
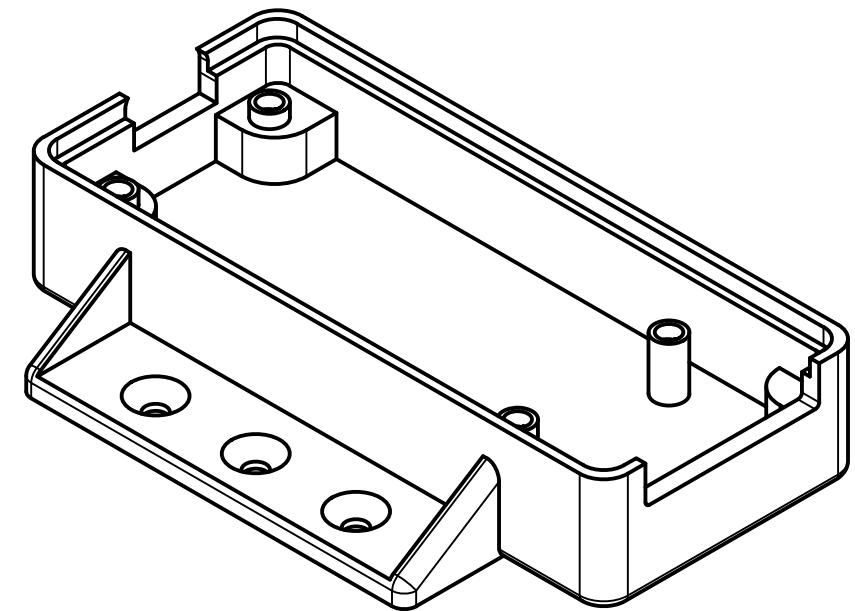
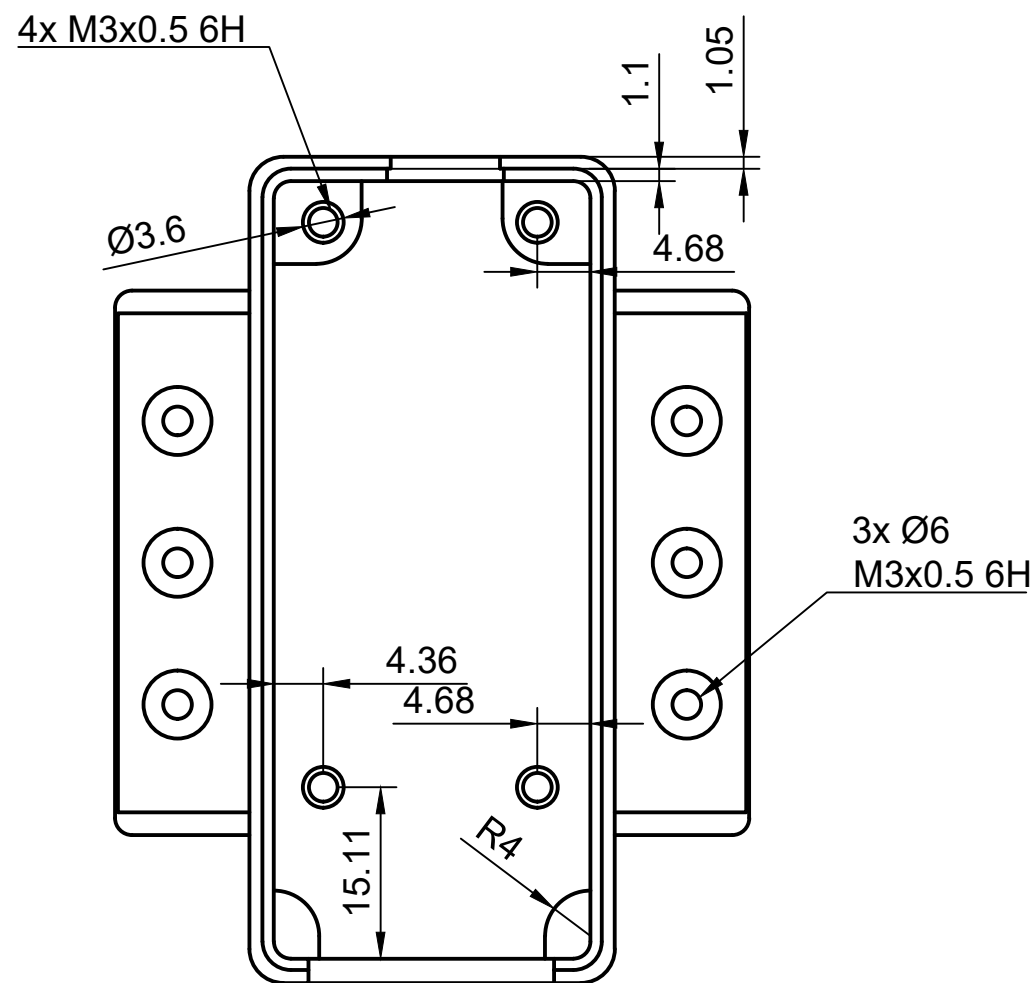
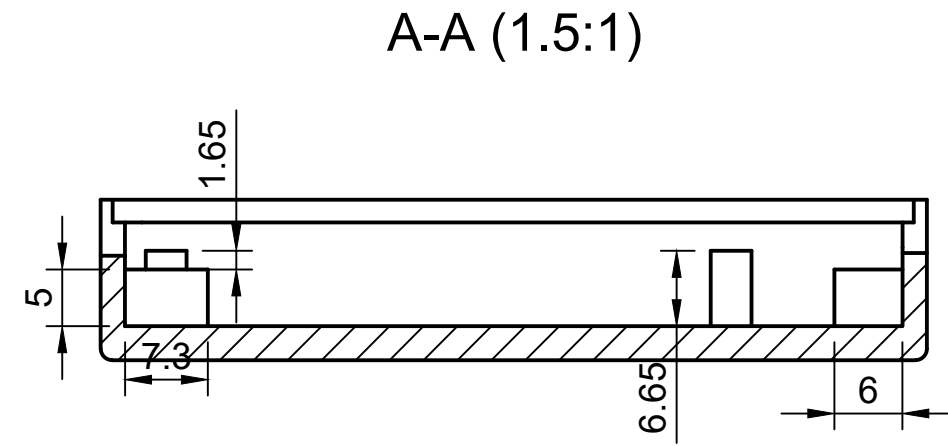
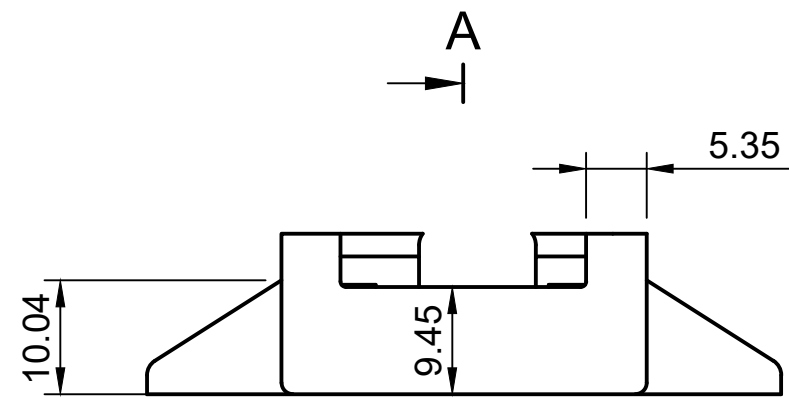

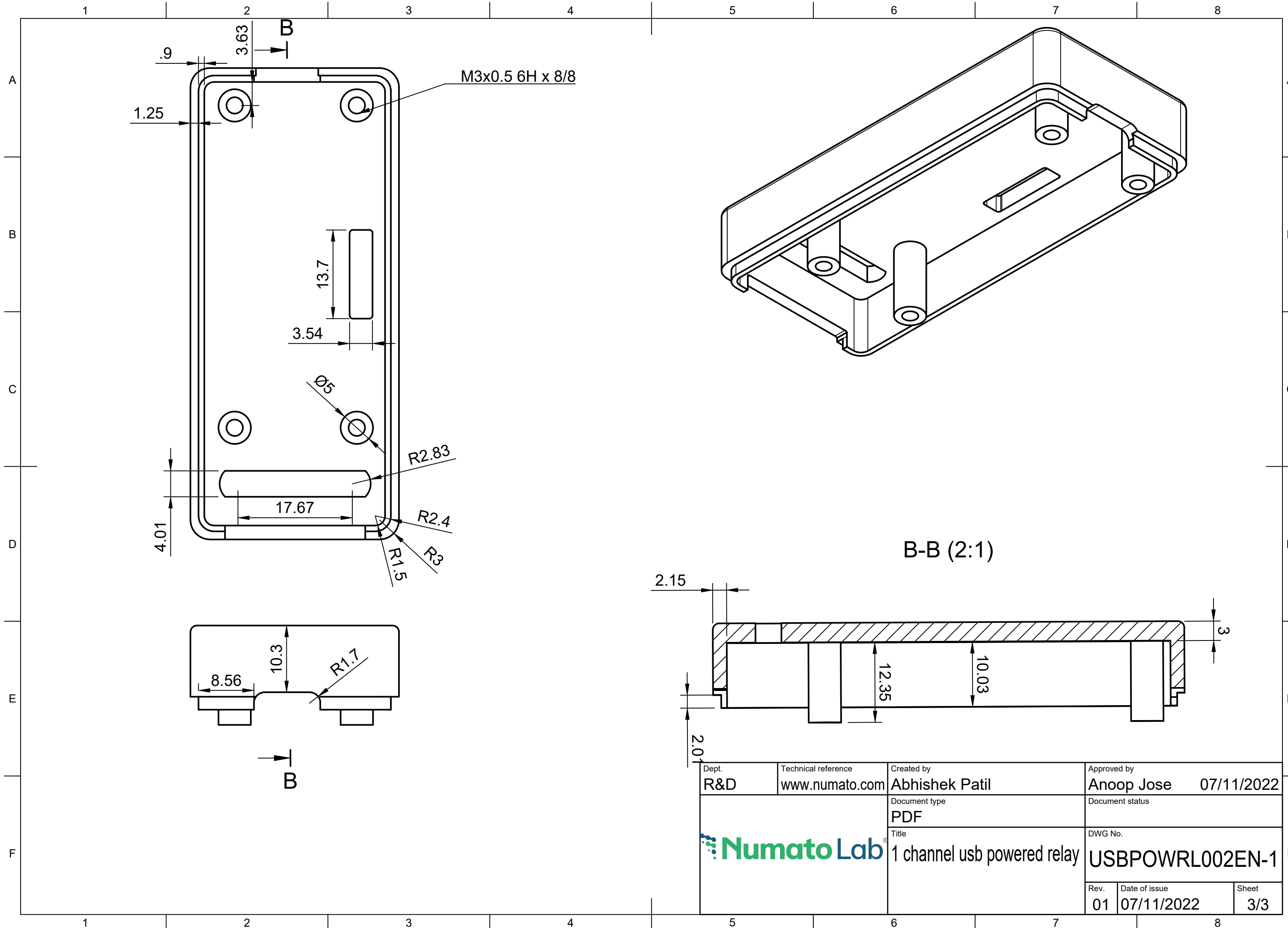


Dept. R&D	Technical reference www.numato.com	Created by Abhishek Patil	Approved by Anoop Jose 07/11/2022
		Document type PDF	Document status
		Title 1 channel usb powered relay	DWG No. USBPOWRL002EN-1
Rev. 01	Date of issue 07/11/2022	Sheet 1/3	




Dept. R&D	Technical reference www.numato.com	Created by Abhishek Patil	Approved by Anoop Jose 07/11/2022
		Document type PDF	Document status
		Title 1 channel usb powered relay	DWG No. USBPOWRL002EN-1
		Rev. 01	Date of issue 07/11/2022
		Sheet 2/3	



M3x0.5 6H x 8/8

B-B (2:1)

Dept. R&D	Technical reference www.numato.com	Created by Abhishek Patil	Approved by Anoop Jose 07/11/2022
		Document type PDF	Document status
		Title 1 channel usb powered relay	DWG No. USBPOWRL002EN-1
Rev. 01	Date of issue 07/11/2022	Sheet 3/3	