
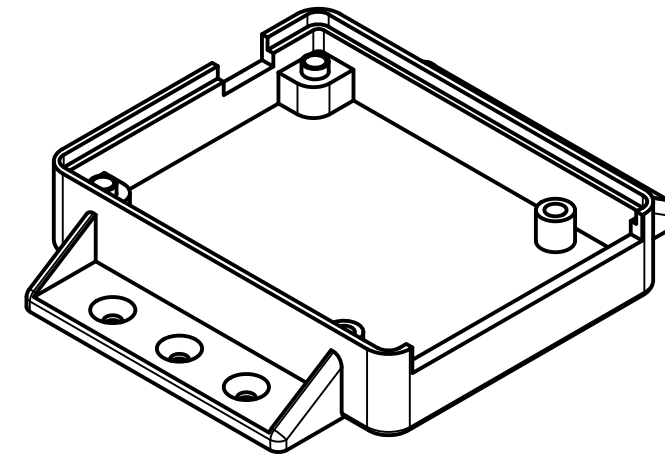
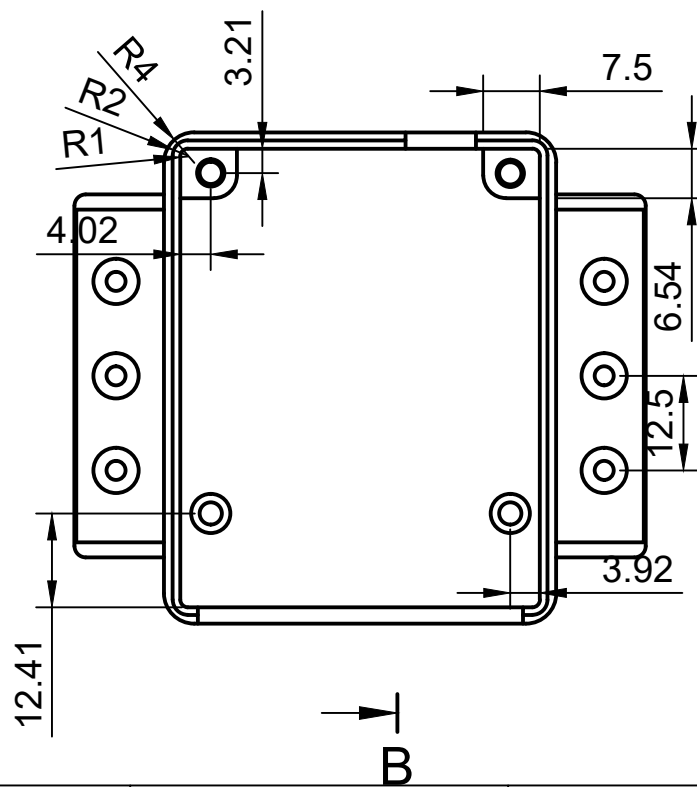
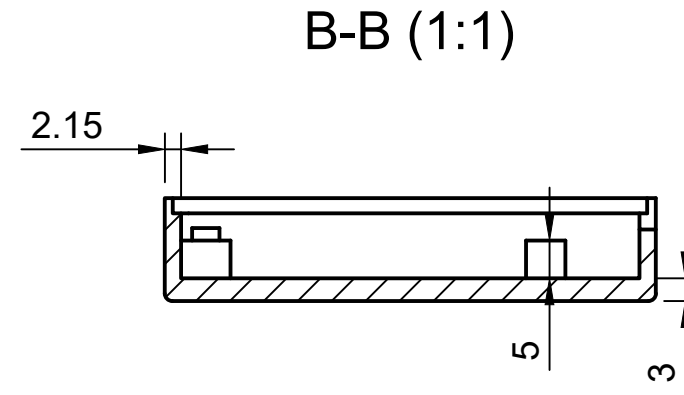
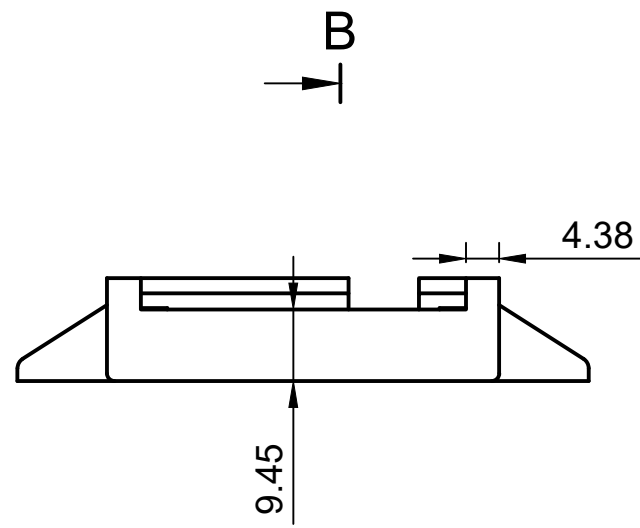

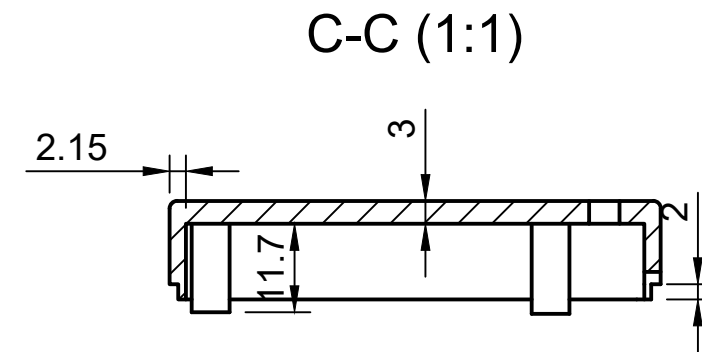
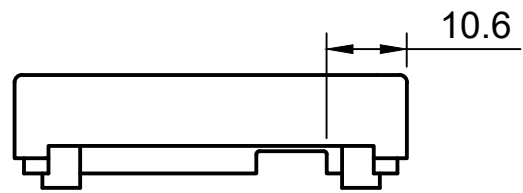
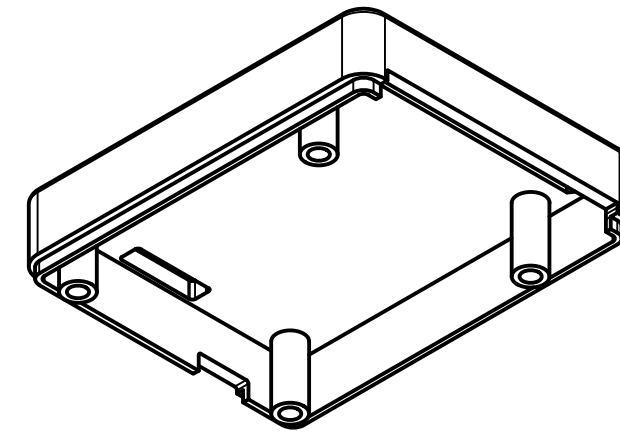
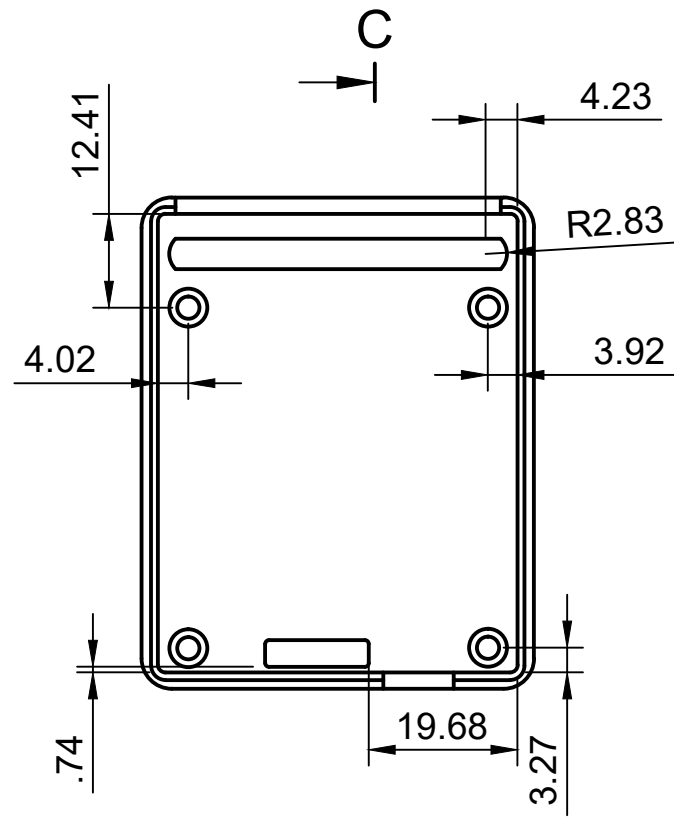



Dept. R&D	Technical reference www.numato.com	Created by Abhishek Patil	Approved by Anoop Jose 19/06/2023
		Document type PDF	Document status
		Title 2 channel usb powerd relay enclosure	DWG No. USBPOWRL001EN-1
Rev. 01	Date of issue 19/6/2023	Sheet 1/3	



Dept. R&D	Technical reference www.numato.com	Created by Abhishek Patil	Approved by Anoop Jose 19/6/2023
		Document type PDF	Document status
		Title 2 channel usb powerd relay enclosure	DWG No. USBPOWRL001EN-1
		Rev. 01	Date of issue 19/06/2023
		Sheet 2/3	



C

Dept. R&D	Technical reference www.numato.com	Created by Abhishek Patil	Approved by Anoop Jose 19/06/2023
		Document type PDF	Document status
		Title 2 channel usb powerd relay enclosure	DWG No. USBPOWRL001EN-1
Rev. 01	Date of issue 19/06/20203	Sheet 3/3	