
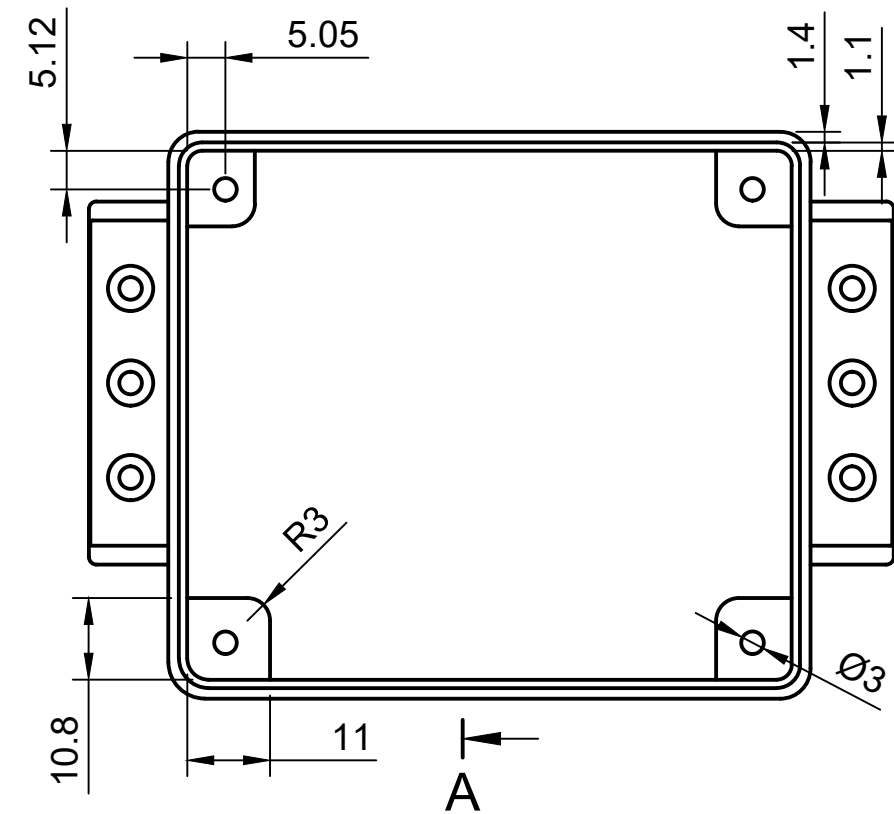
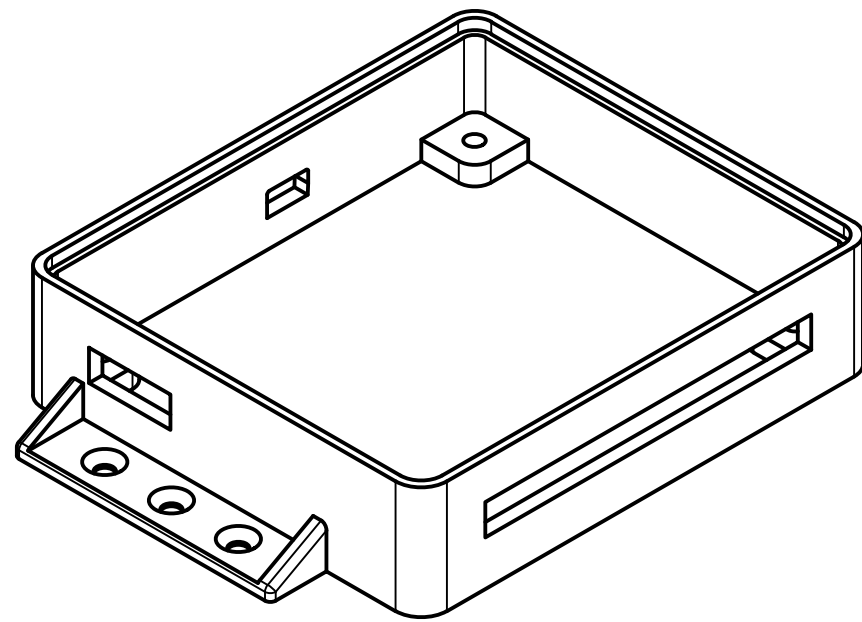
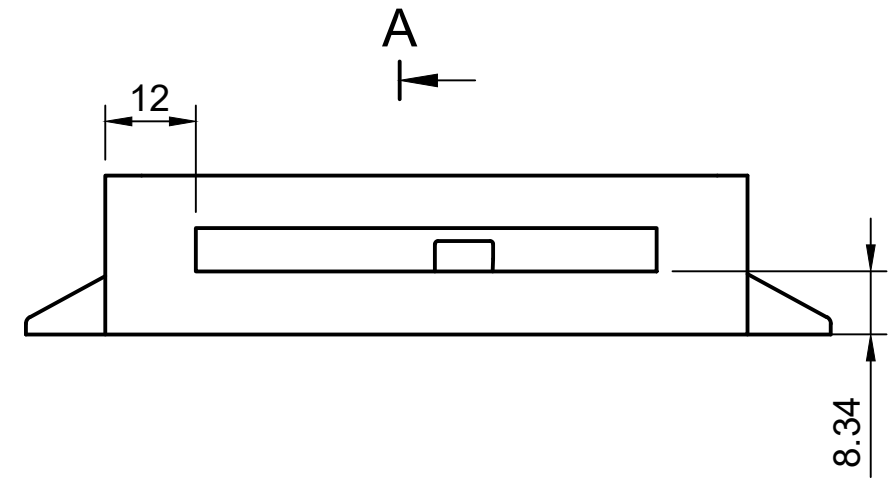
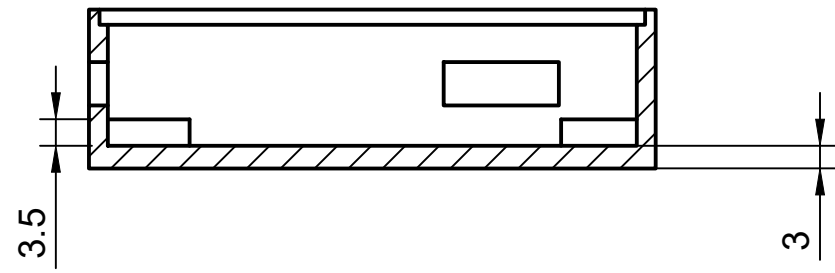



Dept. R&D	Technical reference www.numato.com	Created by Abhishek Patil	Approved by Anoop Jose 13/12/2022
		Document type PDF	Document status
		Title 4 channel usb relay enclosure	DWG No. RL40001EN-1
Rev. 01	Date of issue 13/12/2022	Sheet 1/3	

A-A (1:1)



Dept. R&D	Technical reference www.numato.com	Created by Abhishek Patil	Approved by Anoop Jose 13/12/2022
		Document type PDF	Document status
		Title 4 channel usb relay enclosure	DWG No. RL40001EN-1
Rev. 01	Date of issue 13/12/2022	Sheet 2/3	

