
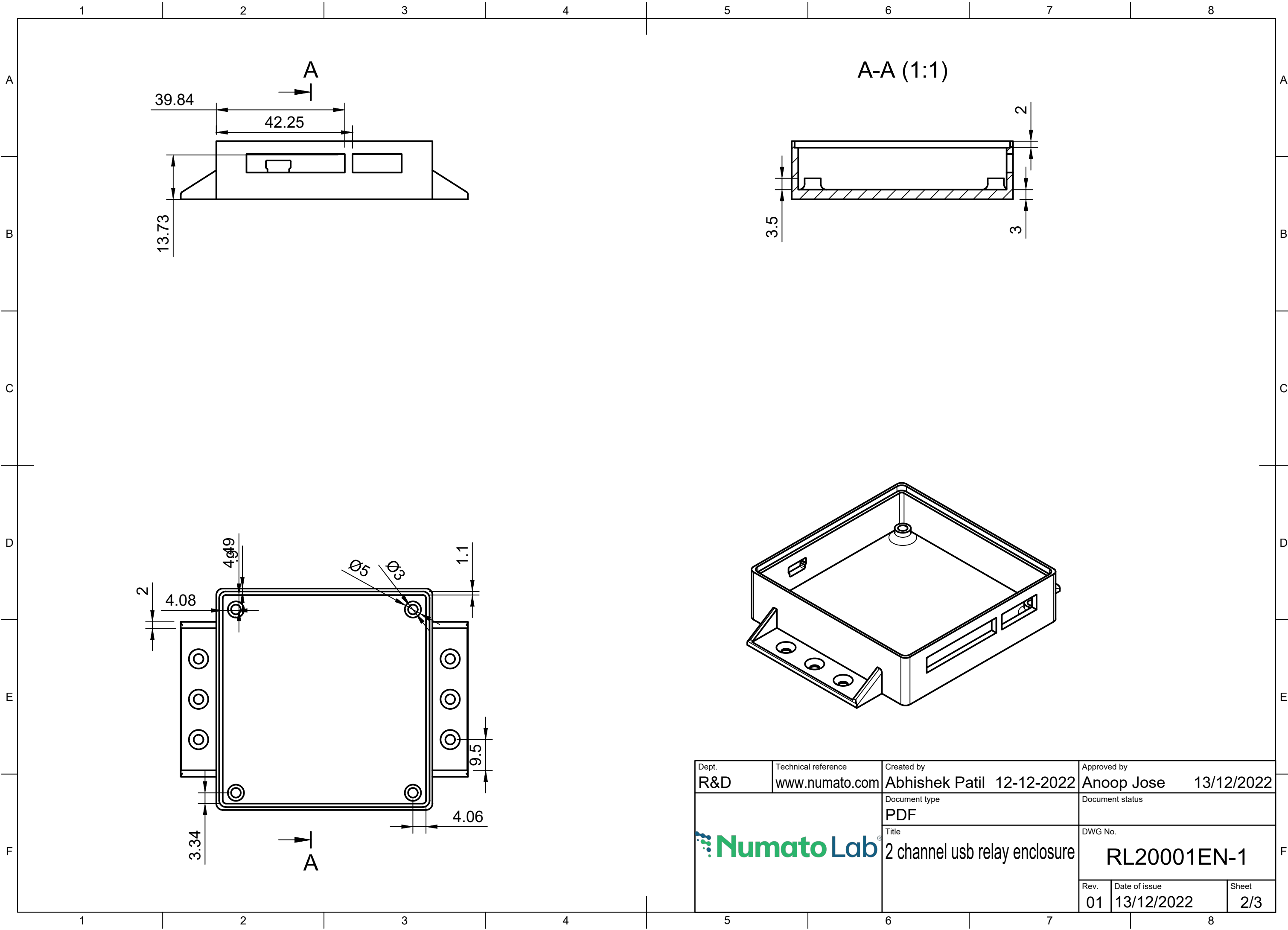

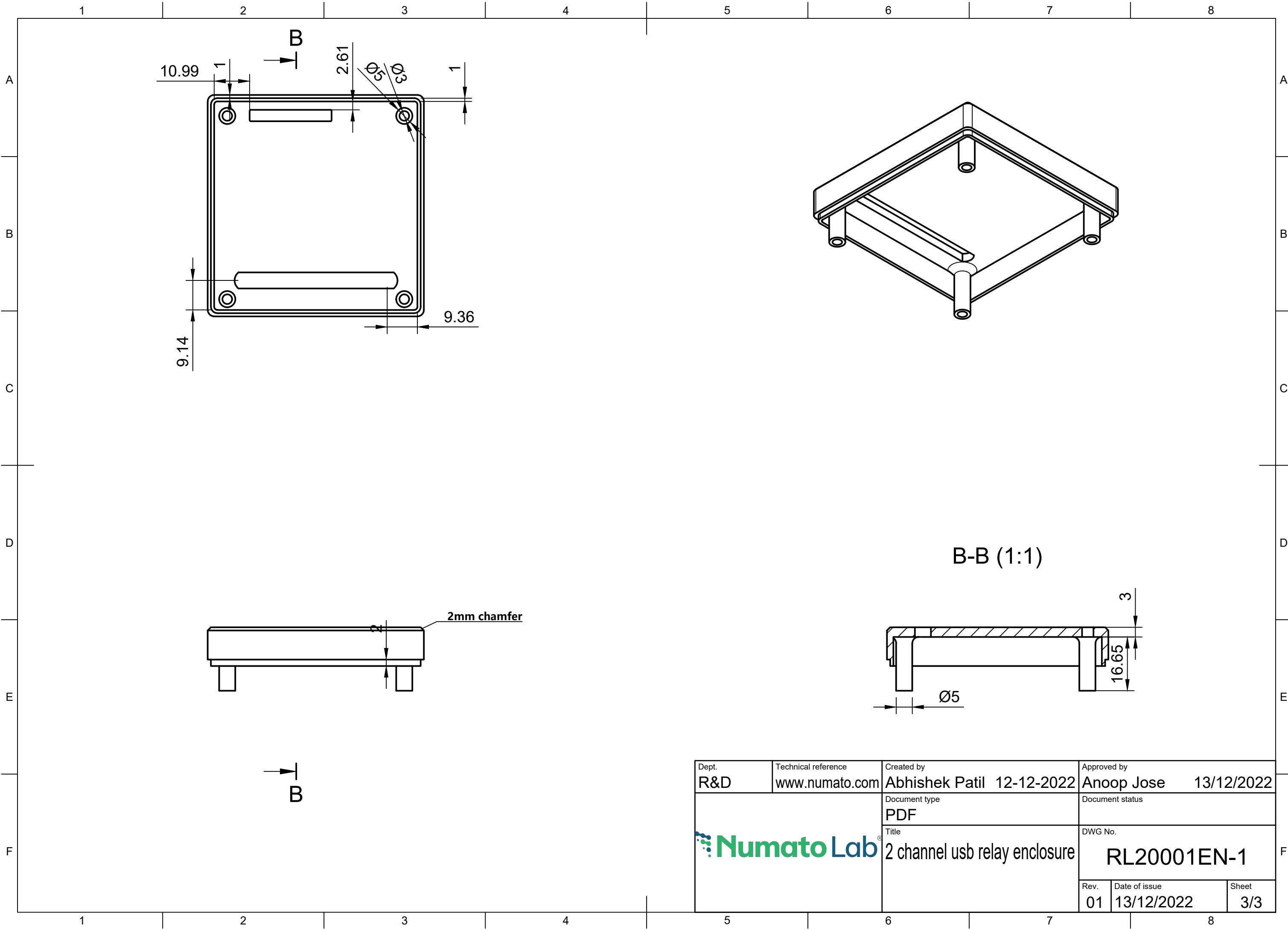



Dept. R&D	Technical reference www.numato.com	Created by Abhishek Patil	Approved by Anoop Jose 13/12/2022
		Document type PDF	Document status
		Title 2 channel usb relay enclosure	DWG No. RL20001EN-1
Rev. 01	Date of issue 13/12/2022	Sheet 1/3	



Dept. R&D	Technical reference www.numato.com	Created by Abhishek Patil 12-12-2022	Approved by Anoop Jose 13/12/2022
		Document type PDF	Document status
		Title 2 channel usb relay enclosure	DWG No. RL20001EN-1
Rev. 01	Date of issue 13/12/2022	Sheet 2/3	



Dept. R&D	Technical reference www.numato.com	Created by Abhishek Patil 12-12-2022	Approved by Anoop Jose 13/12/2022
		Document type PDF	Document status
		Title 2 channel usb relay enclosure	DWG No. RL20001EN-1
Rev. 01	Date of issue 13/12/2022	Sheet 3/3	