
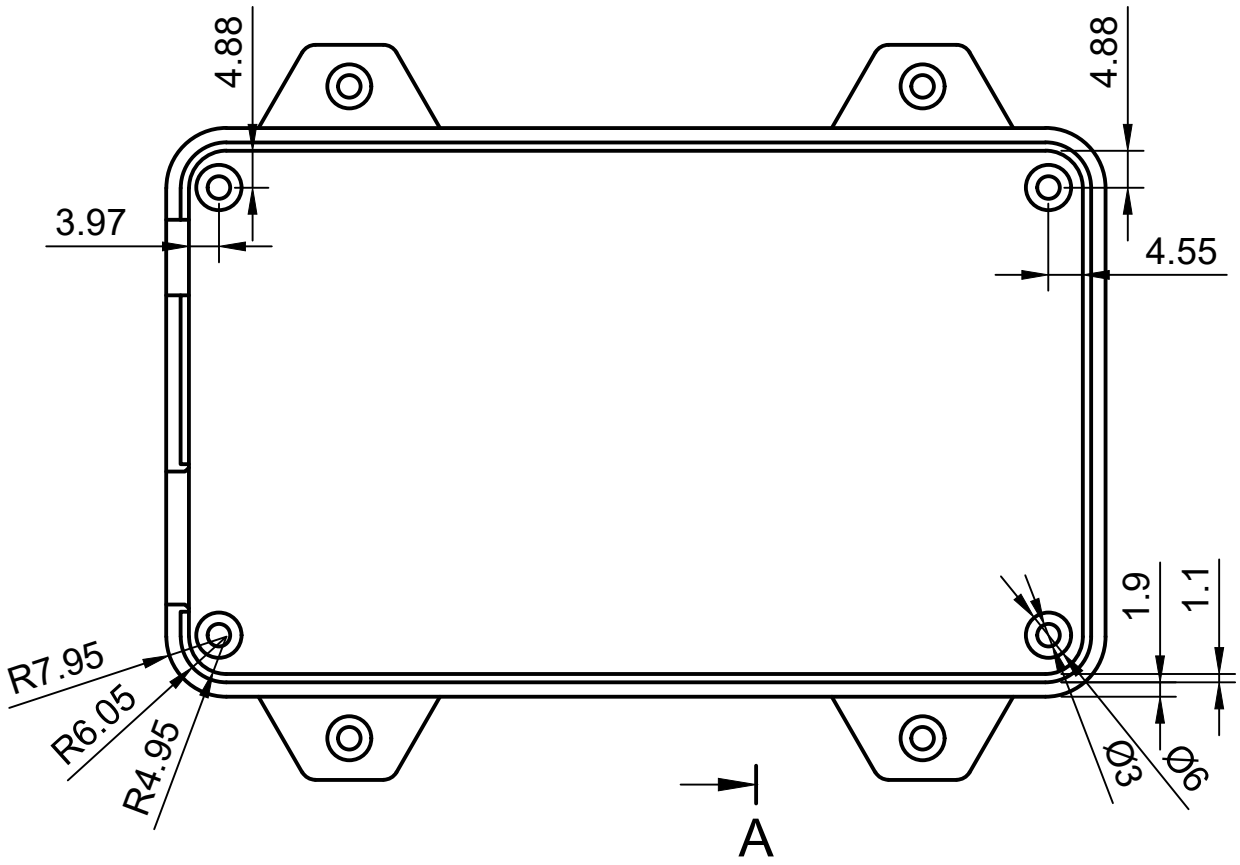
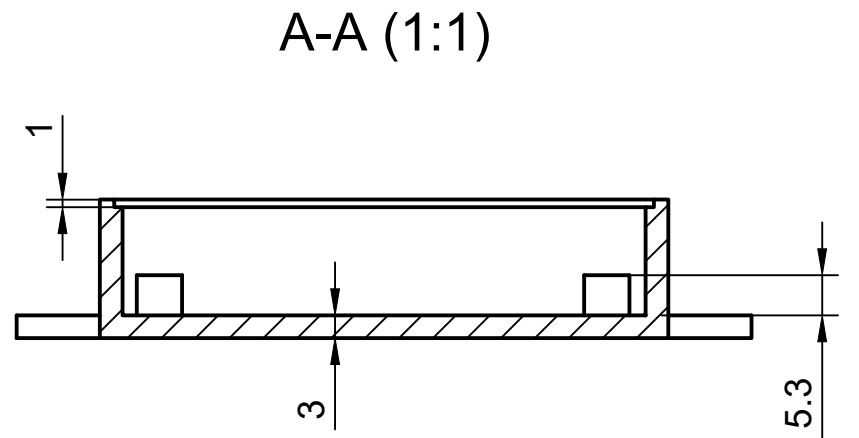
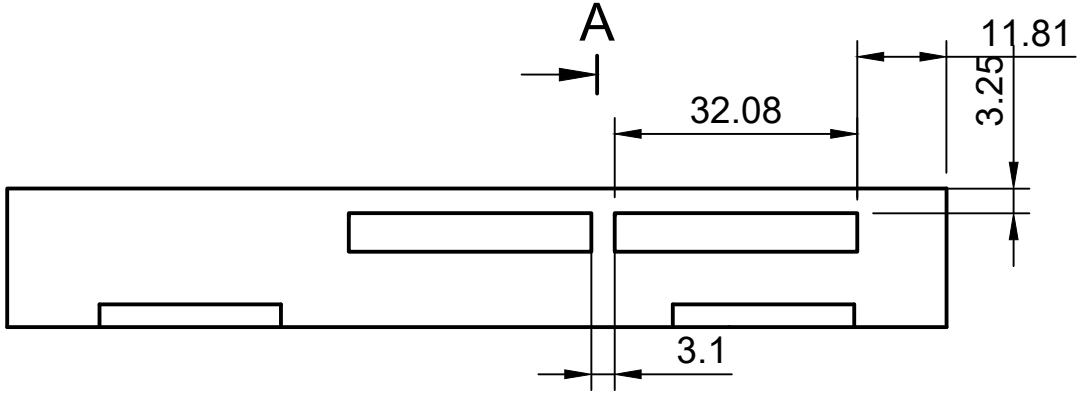
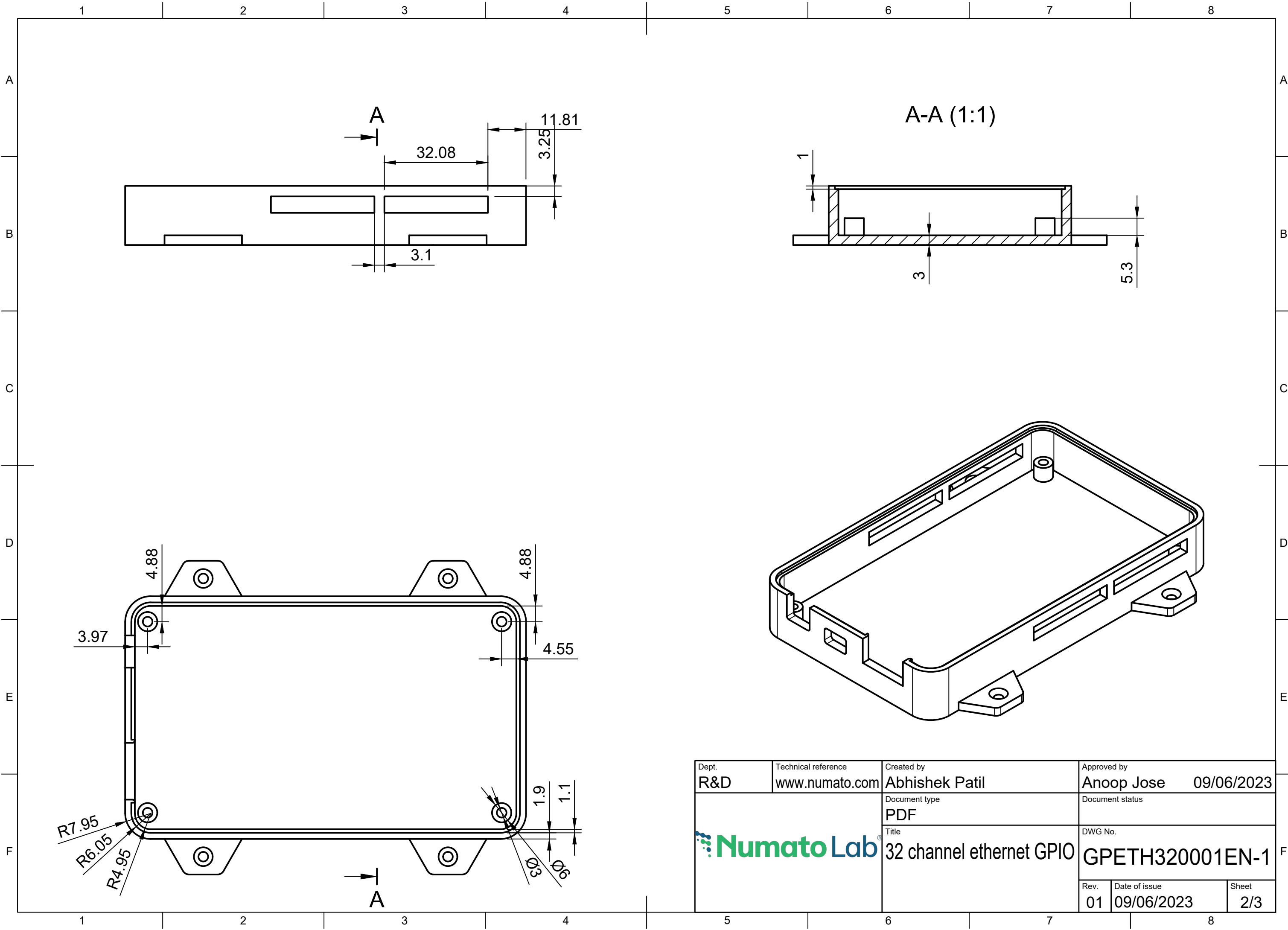

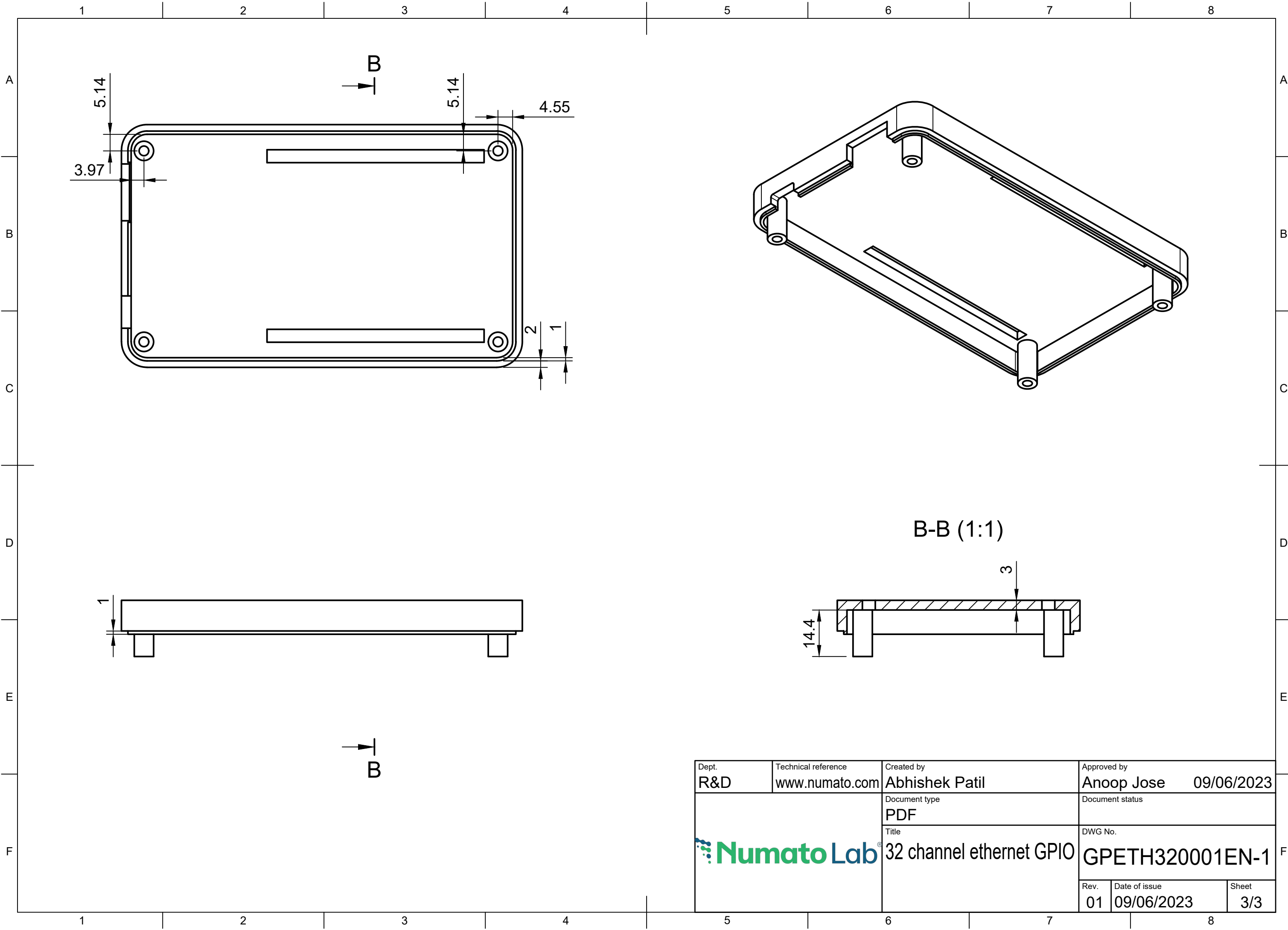



Dept. R&D	Technical reference www.numato.com	Created by Abhishek Patil	Approved by Anoop Jose 09/06/2023
		Document type PDF	Document status
		Title 32 channel ethernet GPIO	DWG No. GPETH320001EN-1
Rev. 01	Date of issue 09/06/2023	Sheet 1/3	



Dept. R&D	Technical reference www.numato.com	Created by Abhishek Patil	Approved by Anoop Jose 09/06/2023
		Document type PDF	Document status
		Title 32 channel ethernet GPIO	DWG No. GPETH320001EN-1
Rev. 01	Date of issue 09/06/2023	Sheet 2/3	



Dept. R&D	Technical reference www.numato.com	Created by Abhishek Patil	Approved by Anoop Jose 09/06/2023
		Document type PDF	Document status
		Title 32 channel ethernet GPIO	DWG No. GPETH320001EN-1
	Rev. 01	Date of issue 09/06/2023	Sheet 3/3