
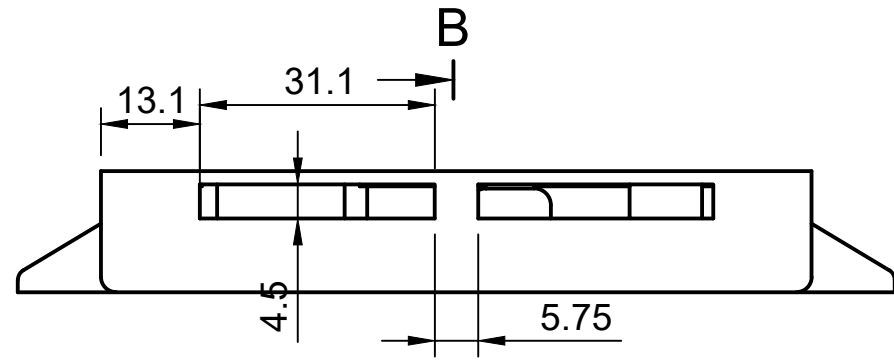
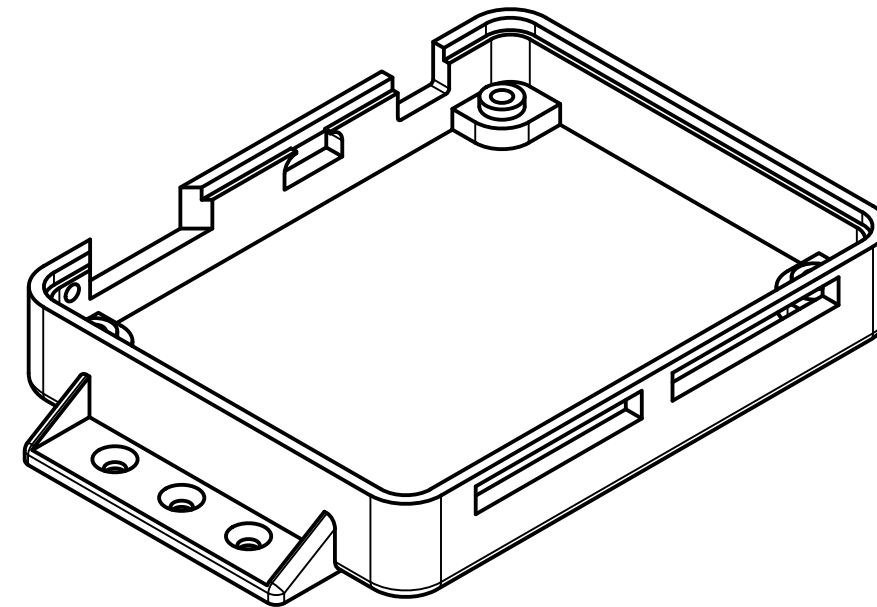
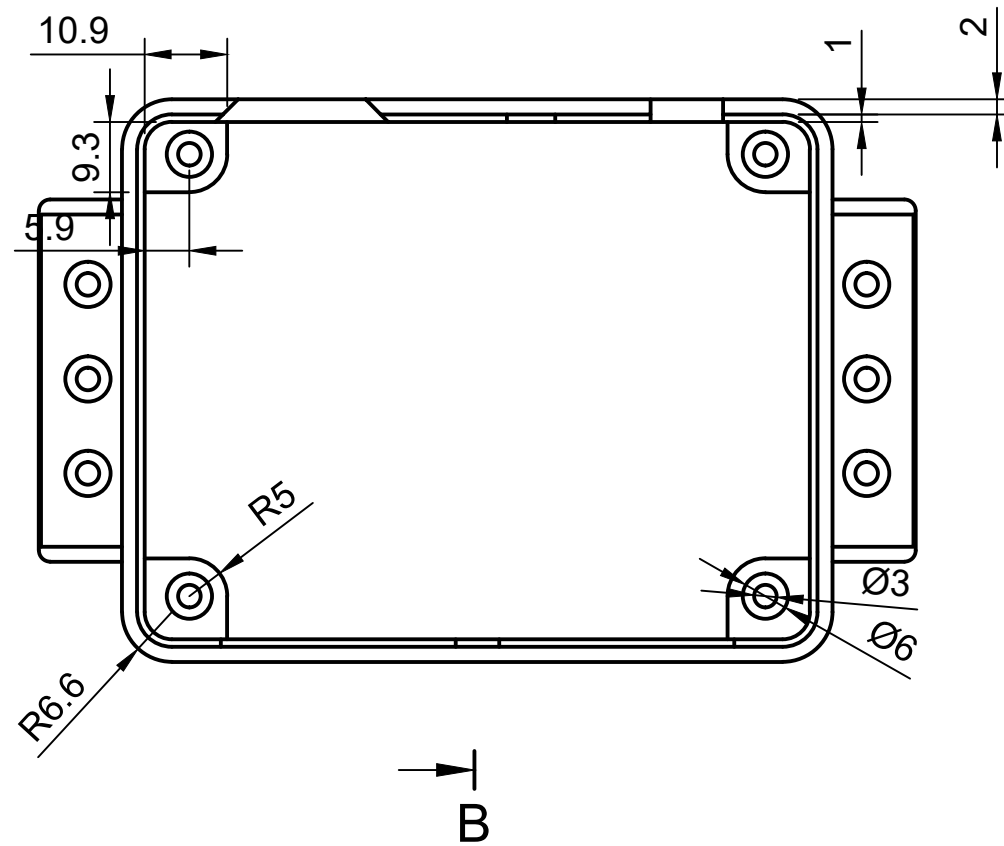
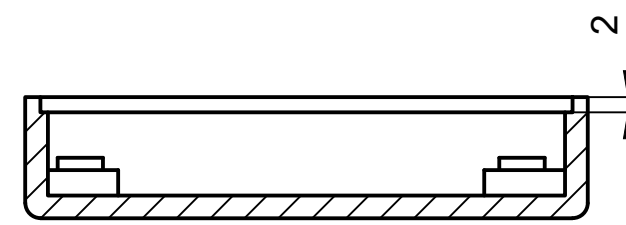



A-A (1:1)

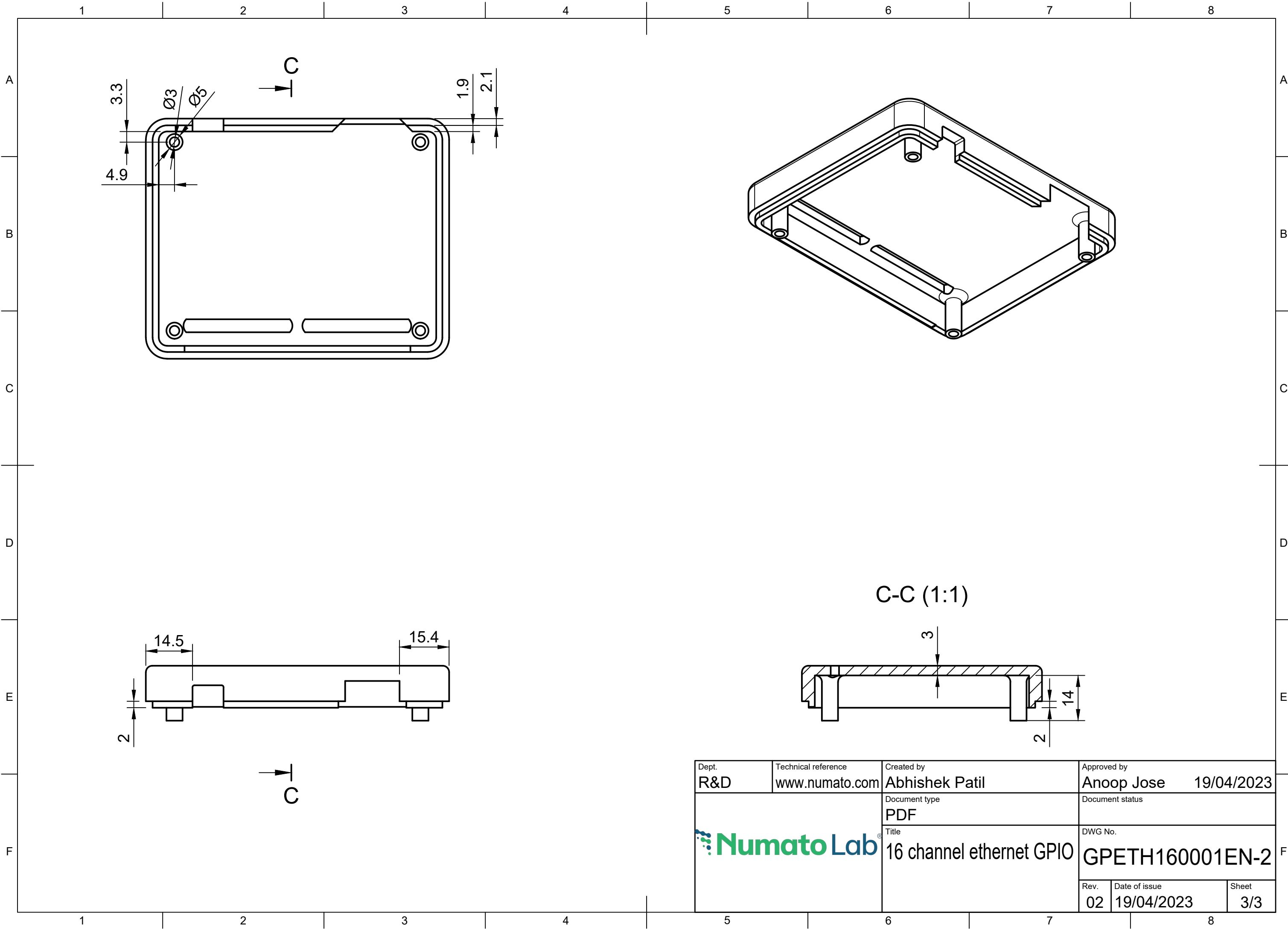
Dept. R&D	Technical reference www.numato.com	Created by Abhishek Patil	Approved by Anoop Jose 19/04/2023
		Document type PDF	Document status
		Title 16 channel ethernet GPIO	DWG No. GPETH160001EN-2
		Rev. 02	Date of issue 19/04/2023
		Sheet 1/3	




B-B (1:1)



Dept. R&D	Technical reference www.numato.com	Created by Abhishek Patil	Approved by Anoop Jose 19/04/2023
		Document type PDF	Document status
		Title 16 channel ethernet GPIO	DWG No. GPETH160001EN-2
		Rev. 02	Date of issue 19/04/2023
		Sheet 2/3	



Dept. R&D	Technical reference www.numato.com	Created by Abhishek Patil	Approved by Anoop Jose 19/04/2023
		Document type PDF	Document status
		Title 16 channel ethernet GPIO	DWG No. GPETH160001EN-2
Rev. 02	Date of issue 19/04/2023	Sheet 3/3	