
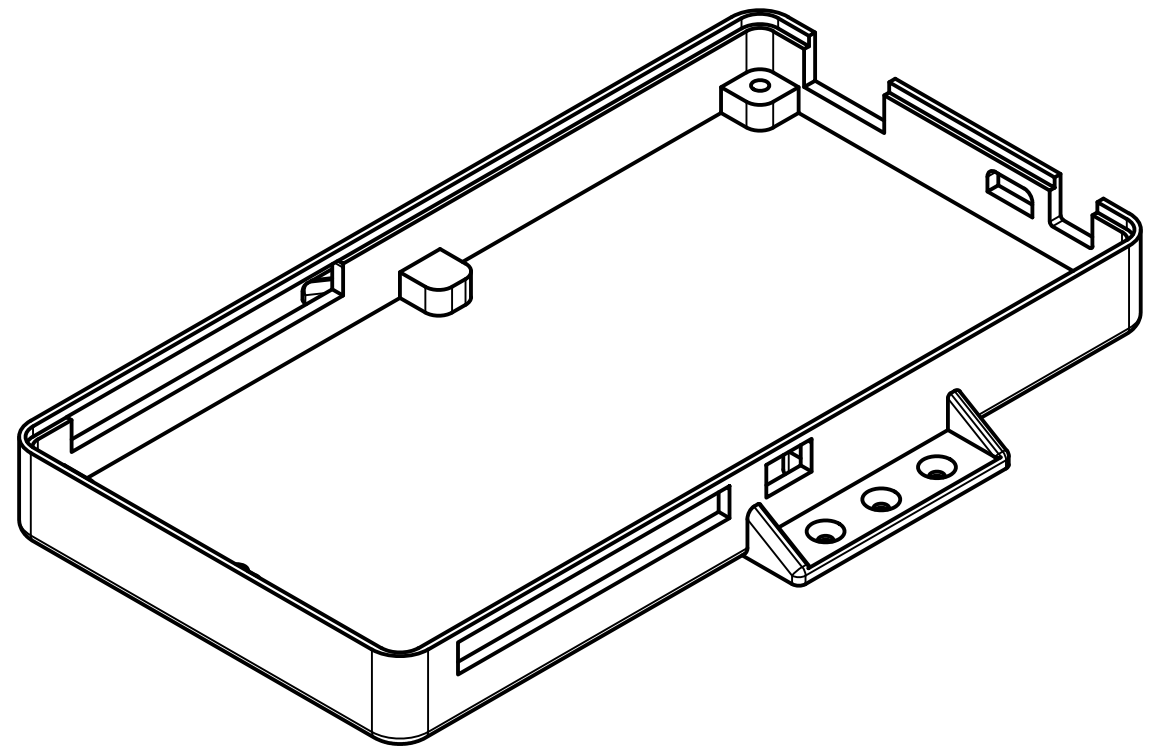
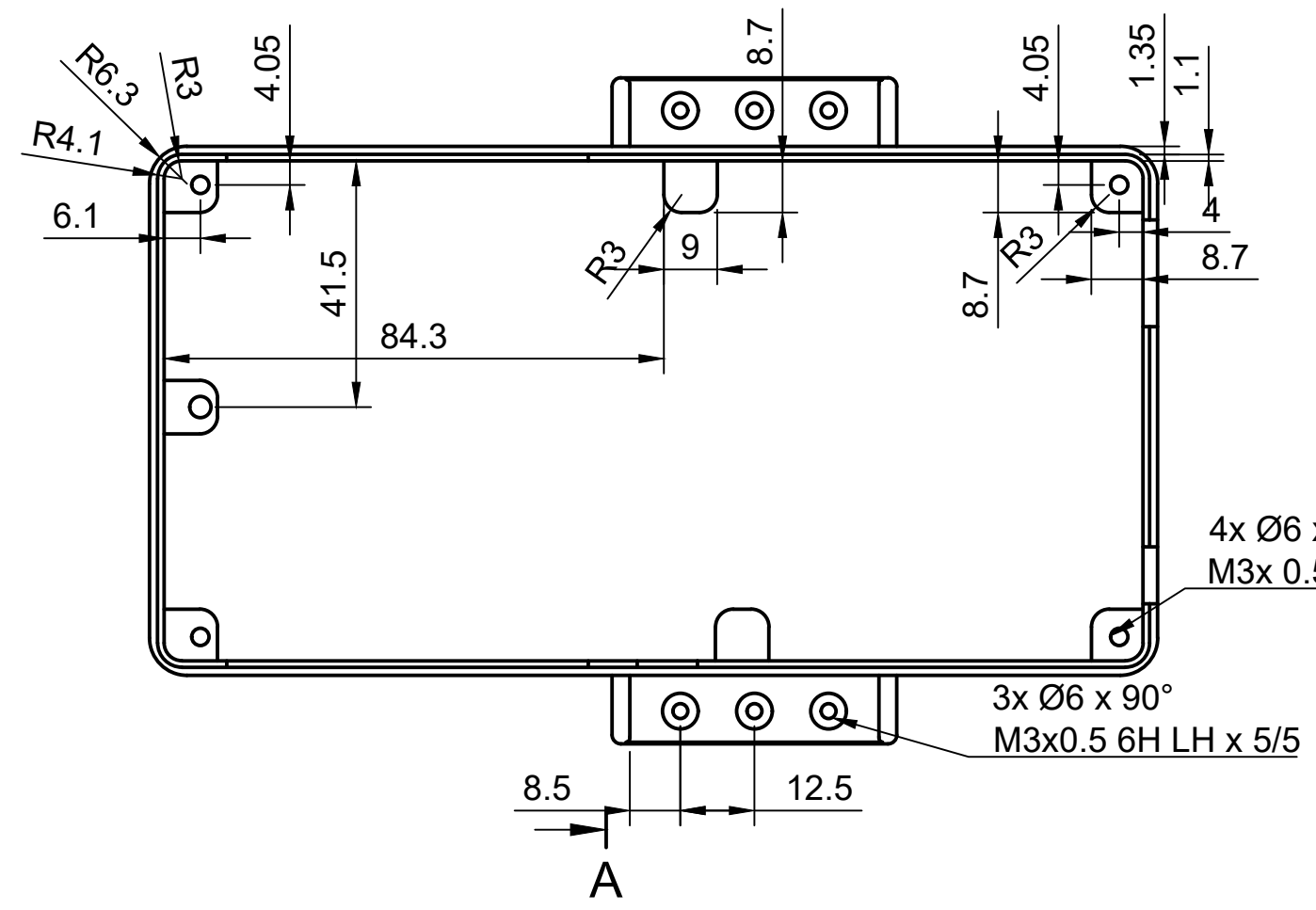
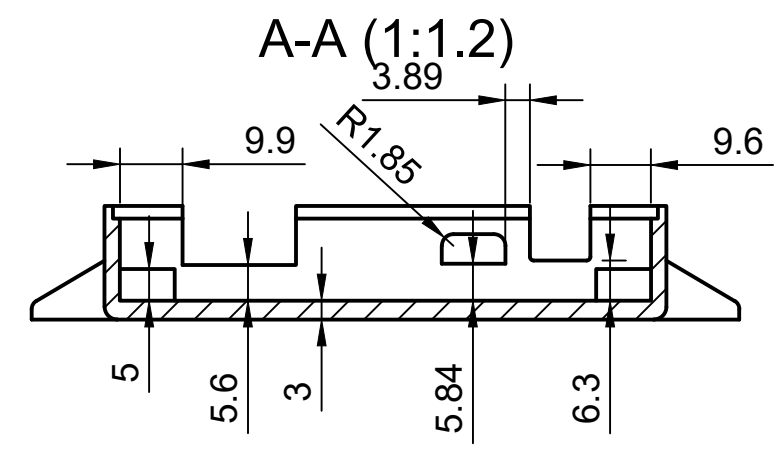
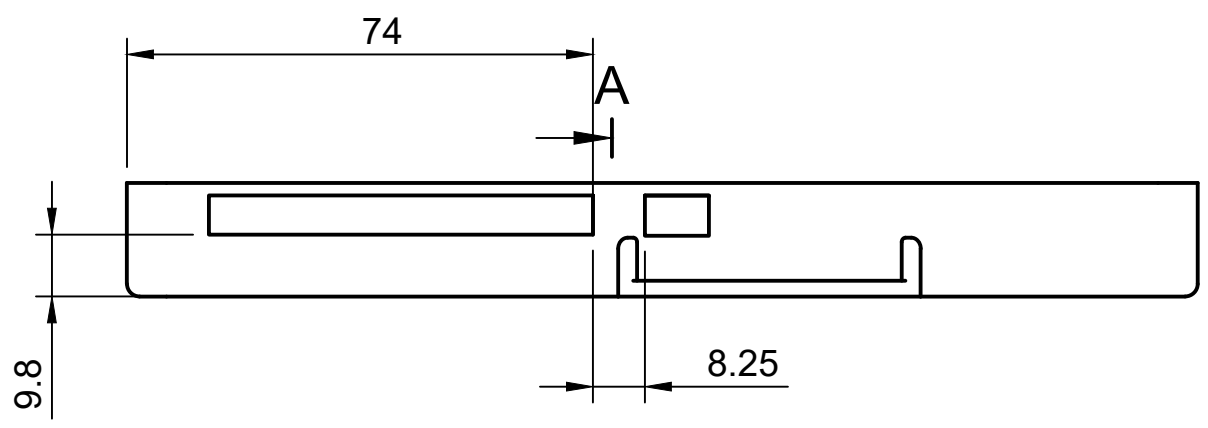
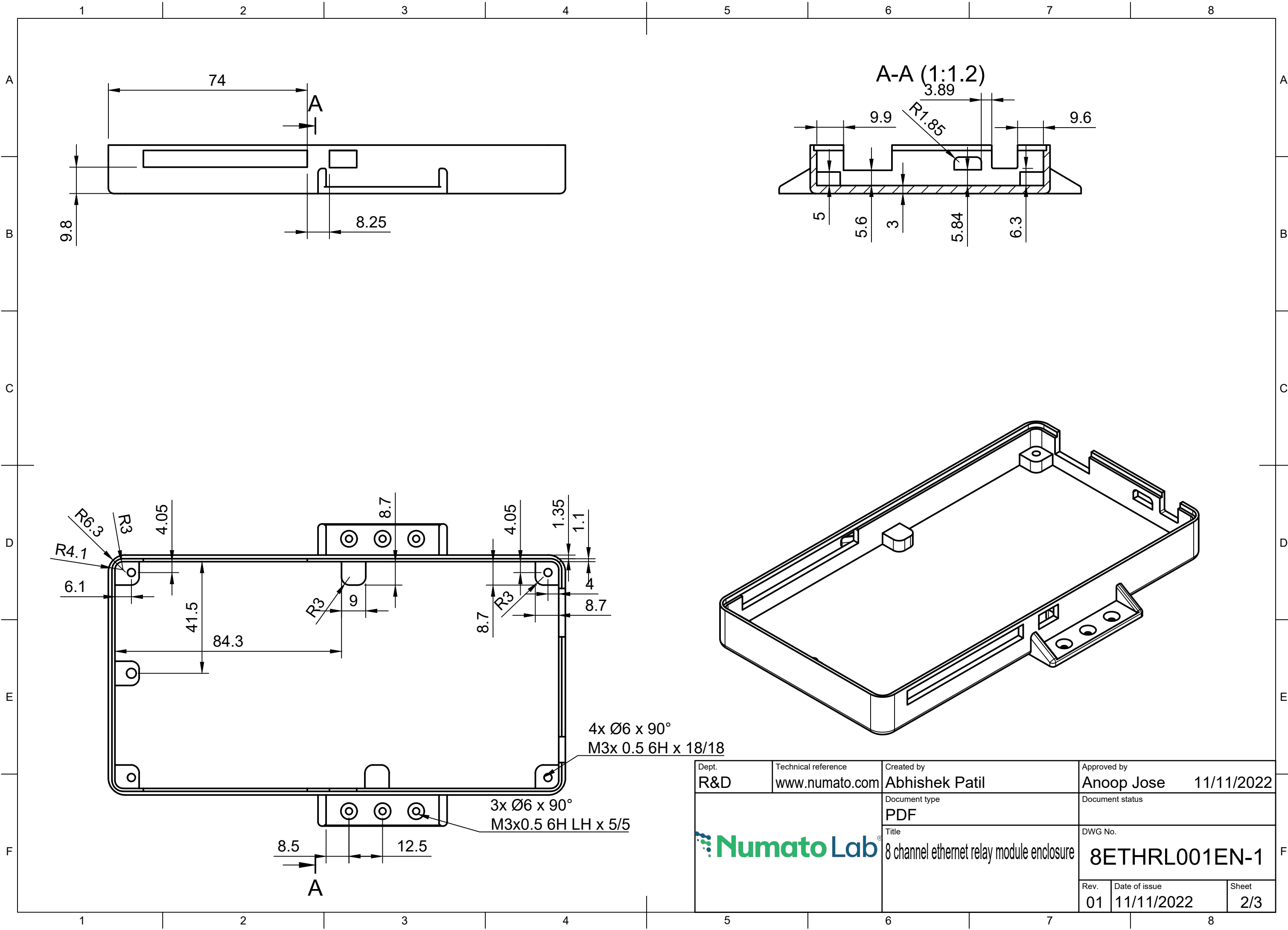

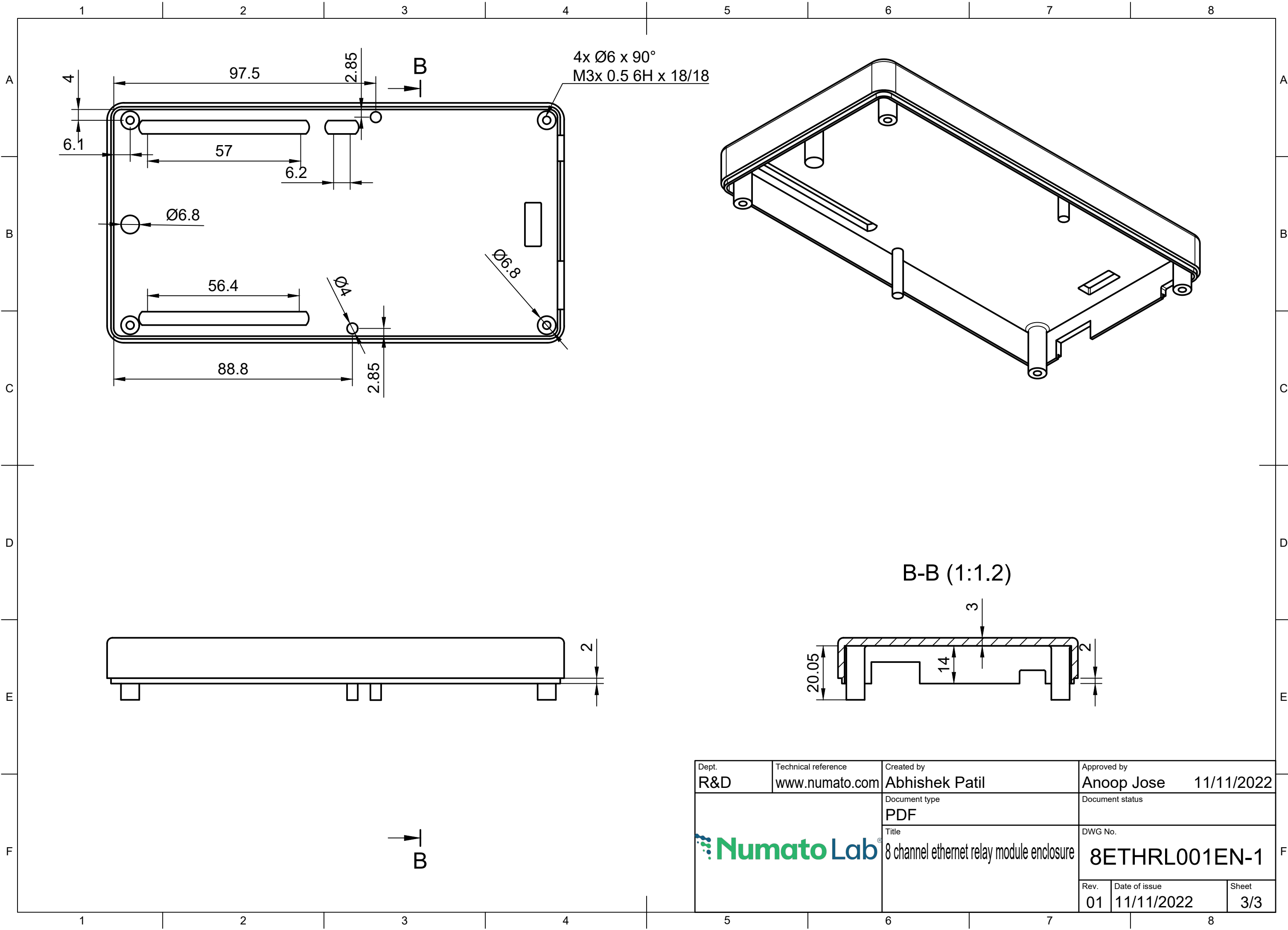


Dept. R&D	Technical reference www.numato.com	Created by Abhishek Patil	Approved by Anoop Jose 11/11/2022
		Document type PDF	Document status
		Title 8 channel ethernet relay module enclosure	DWG No. 8ETHRL001EN-1
Rev. 01	Date of issue 11/11/2022	Sheet 1/3	




Dept. R&D	Technical reference www.numato.com	Created by Abhishek Patil	Approved by Anoop Jose 11/11/2022
		Document type PDF	Document status
		Title 8 channel ethernet relay module enclosure	DWG No. 8ETHRL001EN-1
		Rev. 01	Date of issue 11/11/2022
		Sheet 2/3	



4x Ø6 x 90°
M3x 0.5 6H x 18/18

B-B (1:1.2)

Dept. R&D	Technical reference www.numato.com	Created by Abhishek Patil	Approved by Anoop Jose 11/11/2022
		Document type PDF	Document status
		Title 8 channel ethernet relay module enclosure	DWG No. 8ETHRL001EN-1
Rev. 01	Date of issue 11/11/2022	Sheet 3/3	