
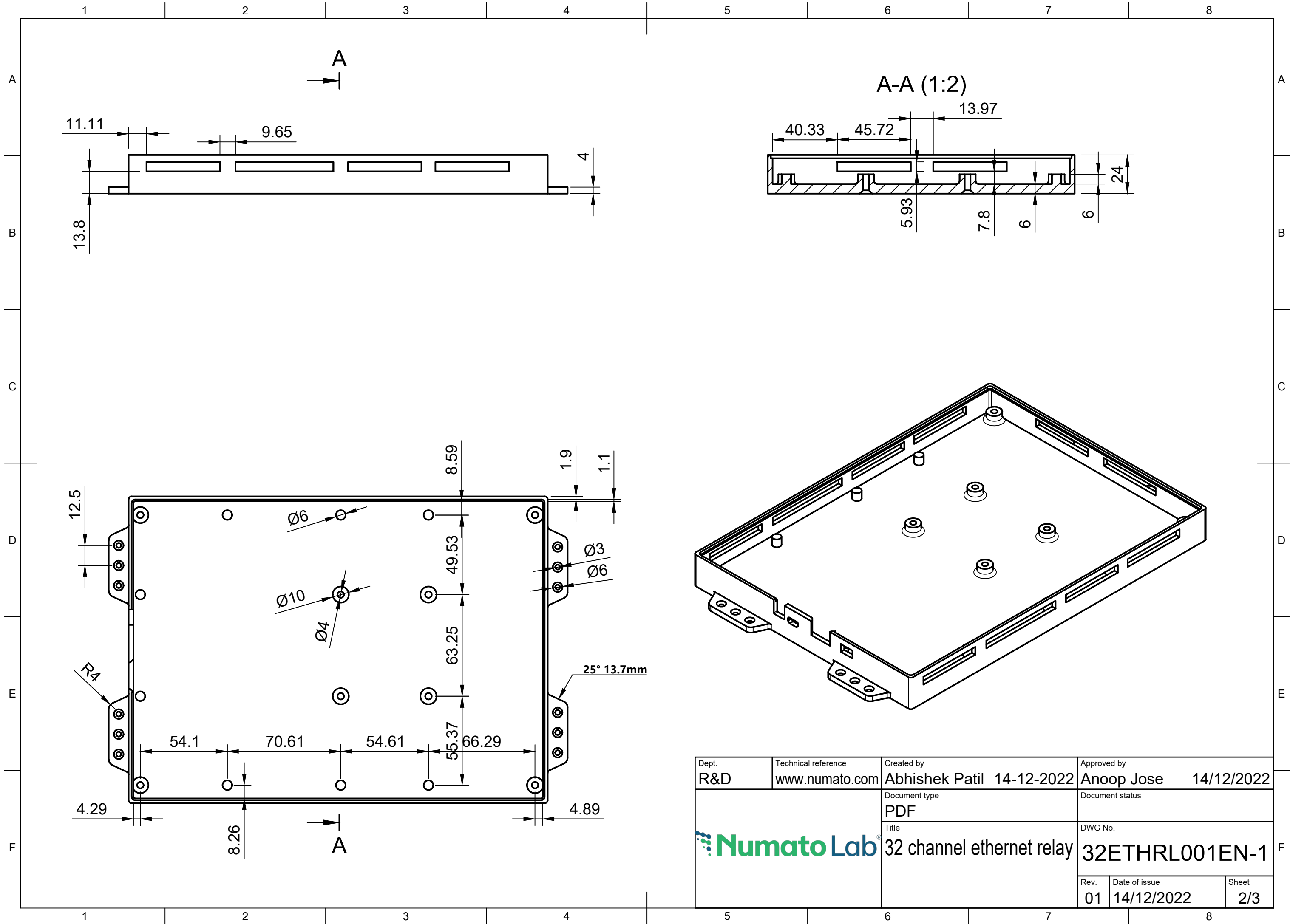

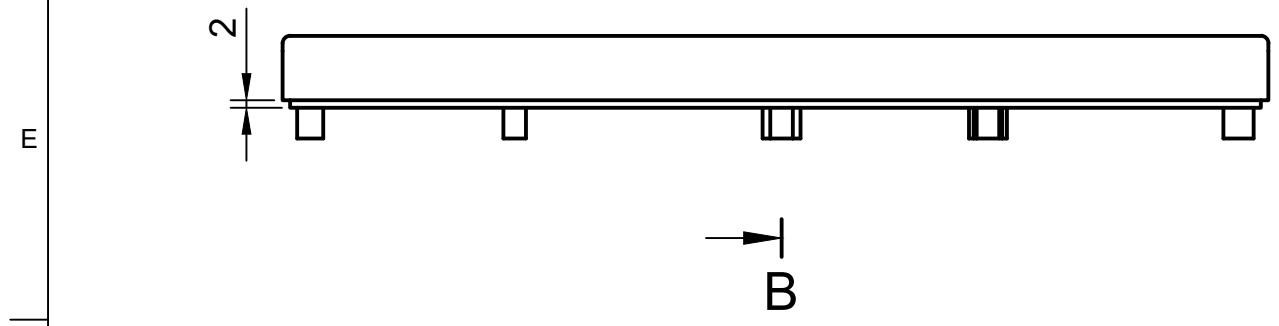
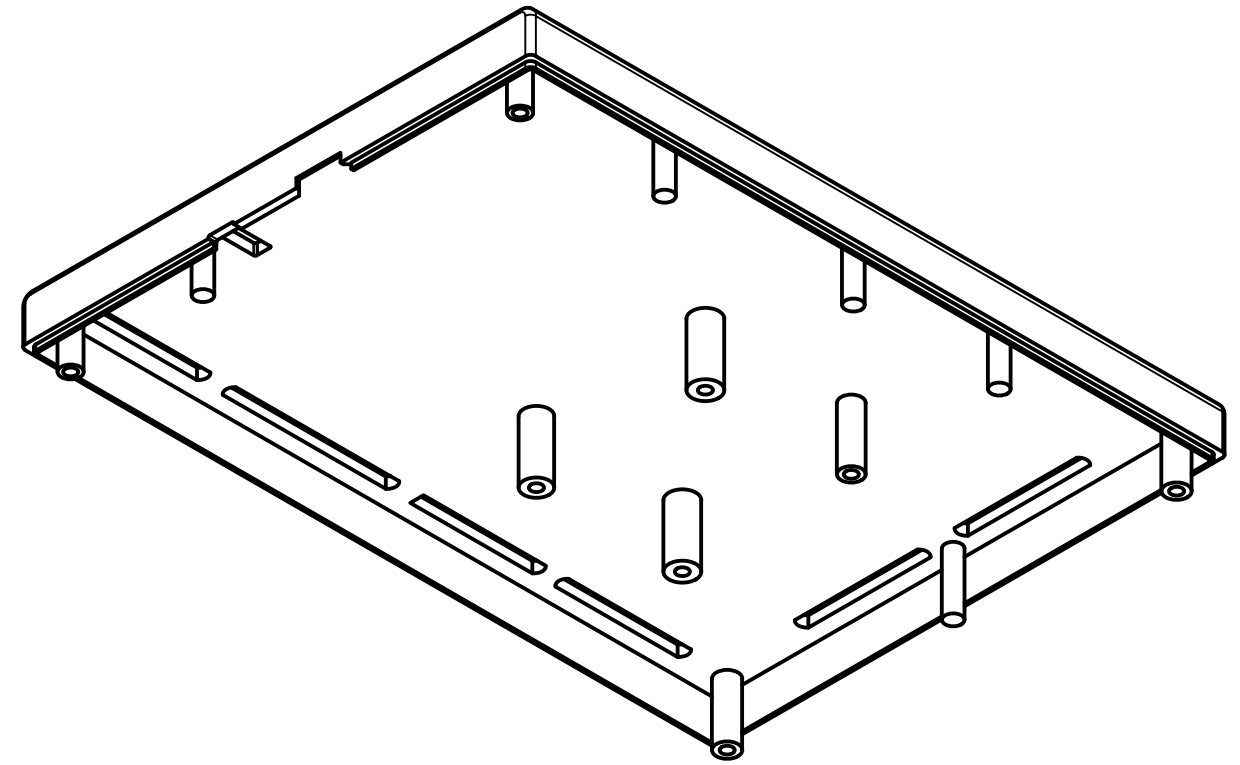
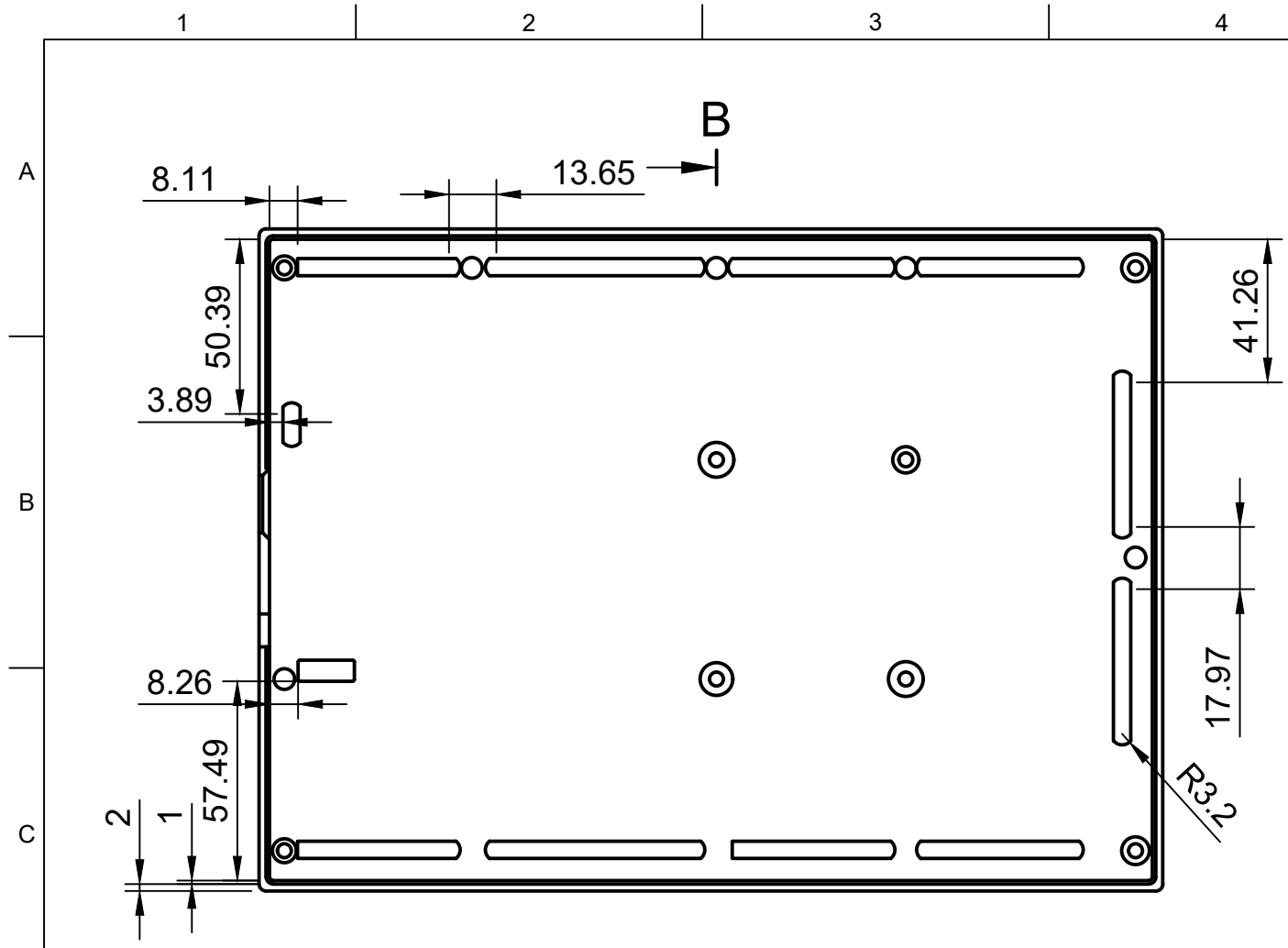


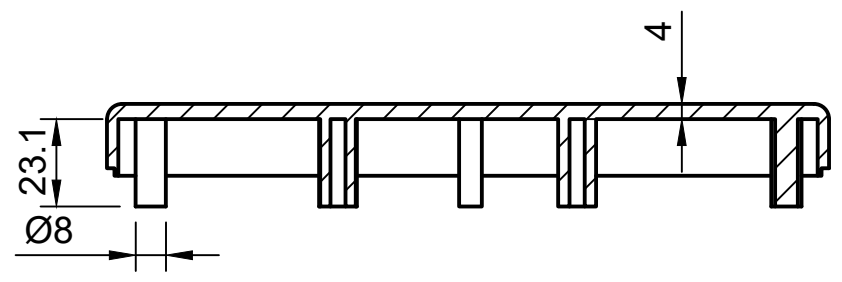
Dept. R&D	Technical reference www.numato.com	Created by Abhishek Patil 14-12-2022	Approved by Anoop Jose 14/12/2022
		Document type PDF	Document status
		Title 32 channel ethernet relay	DWG No. 32ETHRL001EN-1
		Rev. 01	Date of issue 14/12/2022
		Sheet 1/3	




Dept. R&D	Technical reference www.numato.com	Created by Abhishek Patil 14-12-2022	Approved by Anoop Jose 14/12/2022
		Document type PDF	Document status
		Title 32 channel ethernet relay	DWG No. 32ETHRL001EN-1
		Rev. 01	Date of issue 14/12/2022
		Sheet 2/3	



B-B (1:2)



Dept. R&D	Technical reference www.numato.com	Created by Abhishek Patil 14-12-2022	Approved by Anoop Jose 14/12/2022
		Document type PDF	Document status
		Title 32 channel ethernet relay	DWG No. 32ETHRL001EN-1
Rev. 01	Date of issue 14/12/2022	Sheet 3/3	