
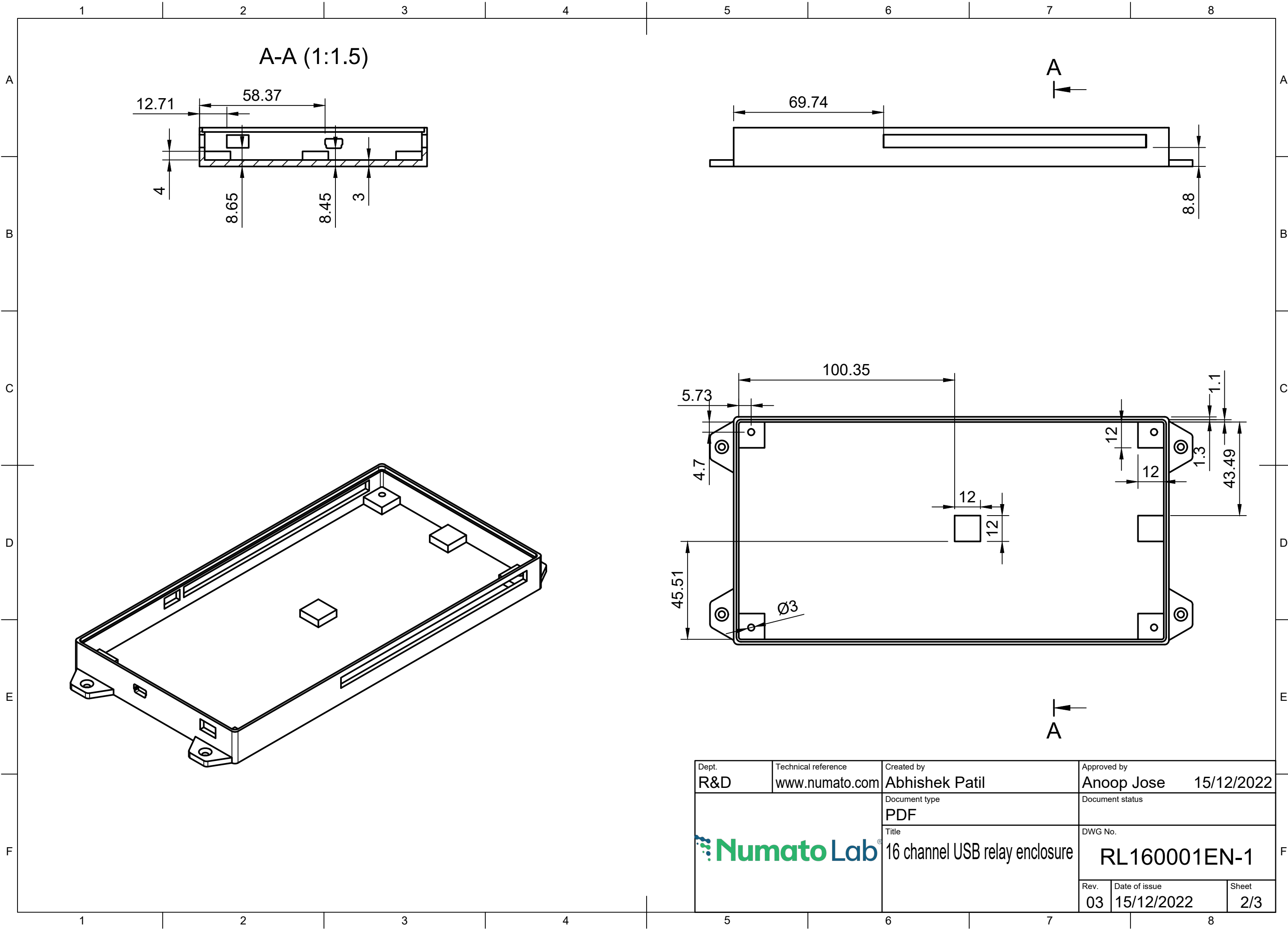

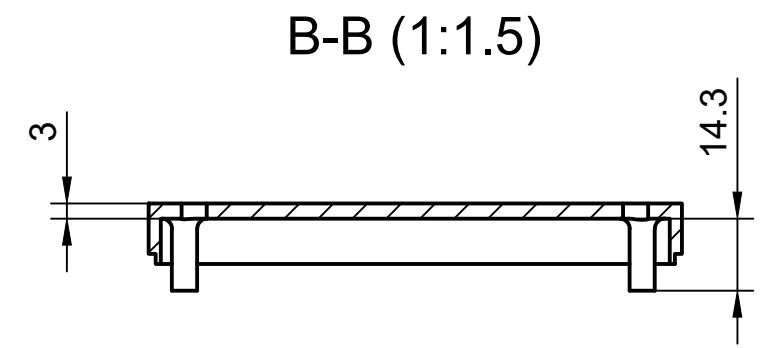
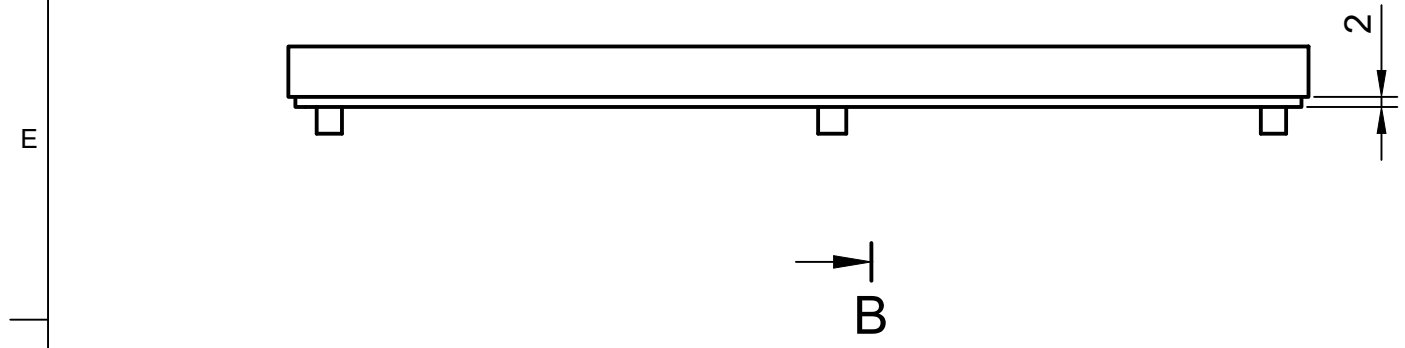
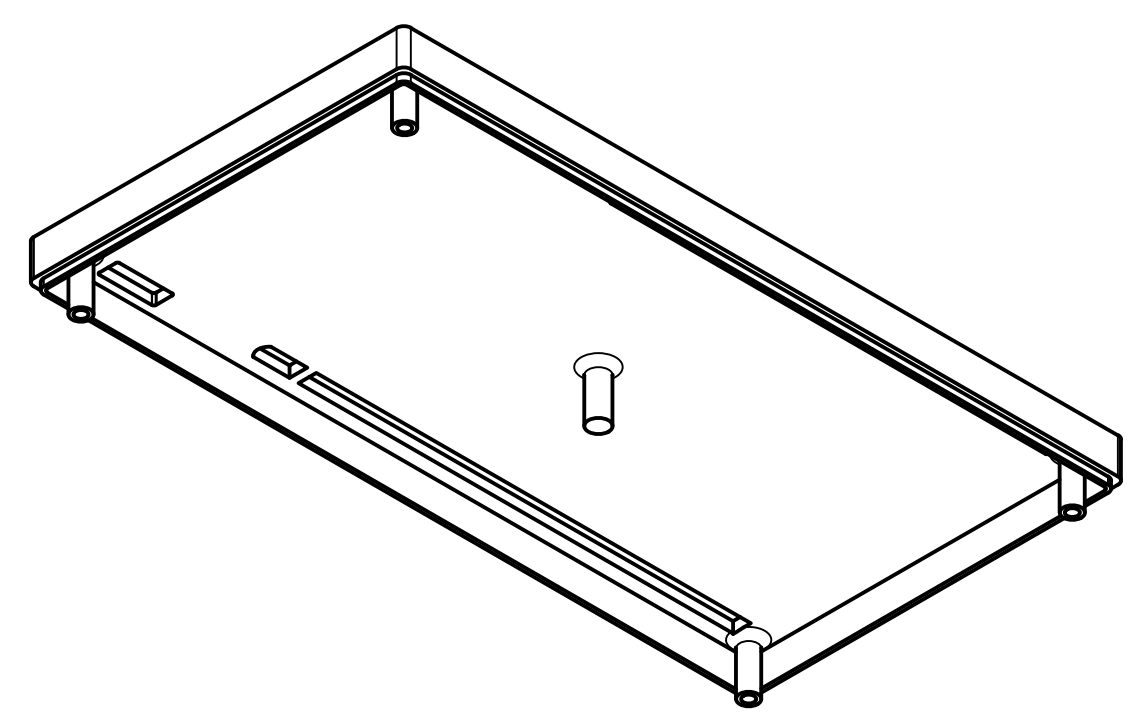
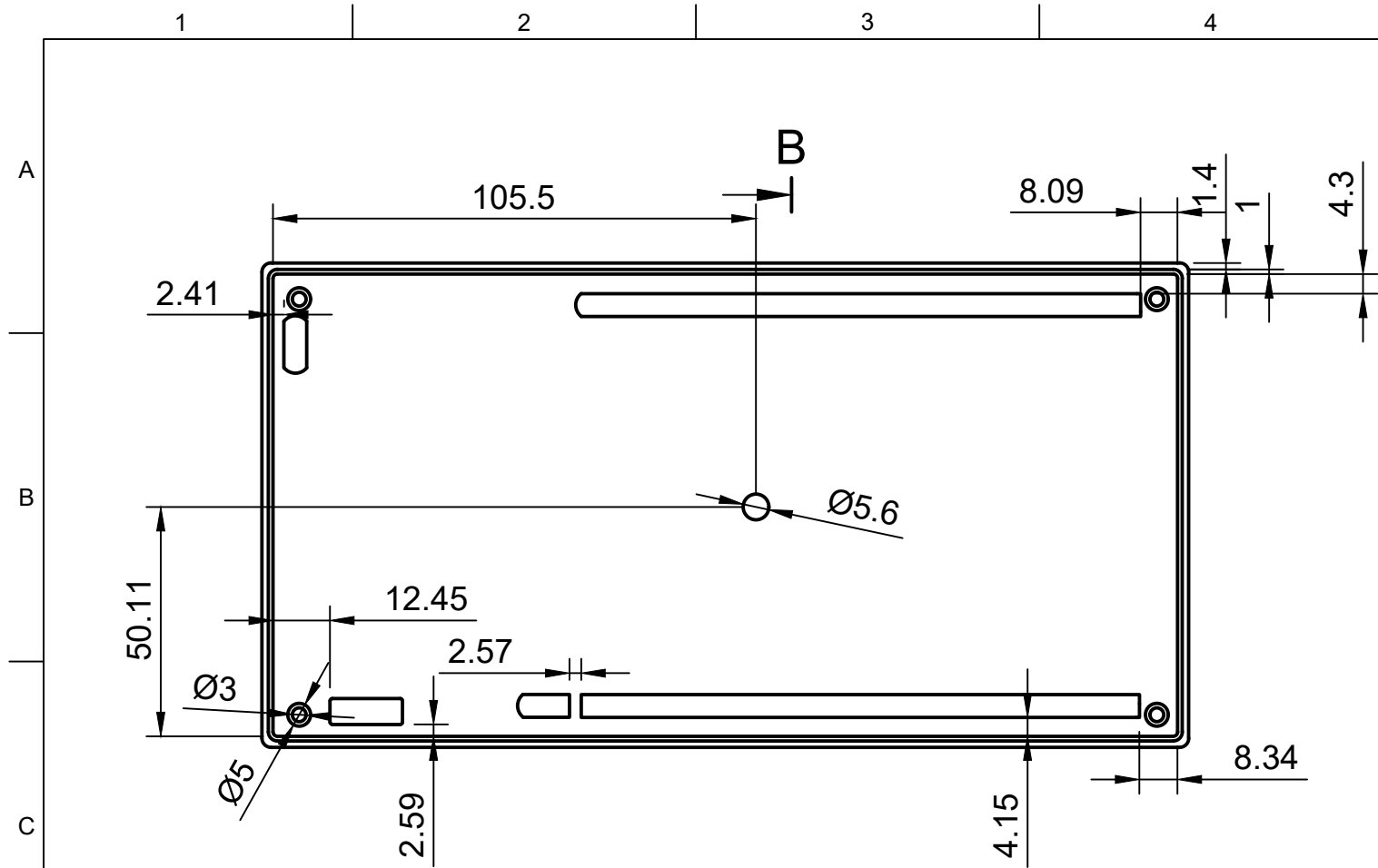



**All units in (mm)**

Dept. R&D	Technical reference www.numato.com	Created by Abhishek Patil	Approved by Anoop Jose 15/12/2022
		Document type PDF	Document status
		Title 16 channel USB relay enclosure	DWG No. <b>RL160001EN-1</b>
		Rev. 03	Date of issue 15/12/2022
		Sheet 1/3	



Dept. R&D	Technical reference www.numato.com	Created by Abhishek Patil	Approved by Anoop Jose 15/12/2022
		Document type PDF	Document status
		Title 16 channel USB relay enclosure	DWG No. RL160001EN-1
Rev. 03	Date of issue 15/12/2022	Sheet 2/3	



Dept. R&D	Technical reference www.numato.com	Created by Abhishek Patil	Approved by Anoop Jose 15/12/2022
		Document type PDF	Document status
		Title 16 channel USB relay enclosure	DWG No. RL160001EN-1
Rev. 03	Date of issue 15/12/2022	Sheet 3/3	