
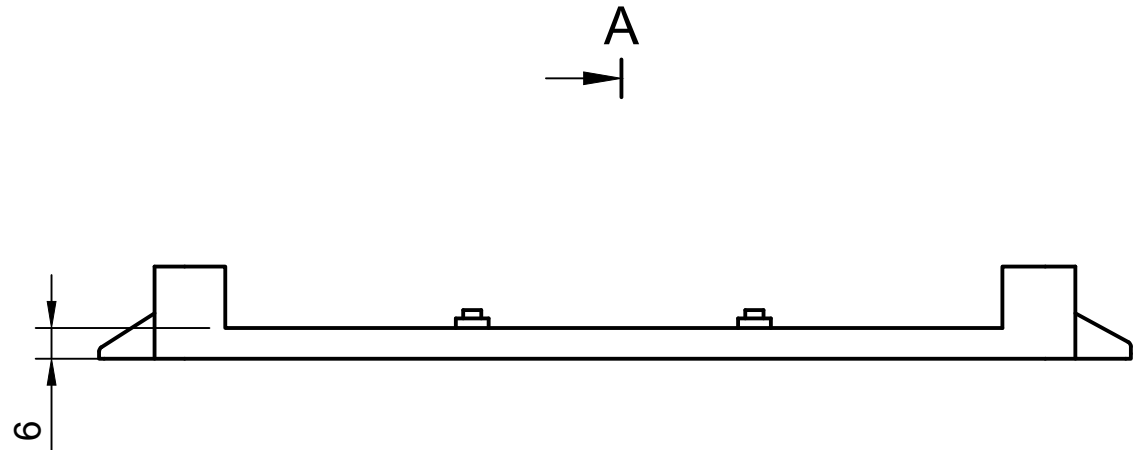


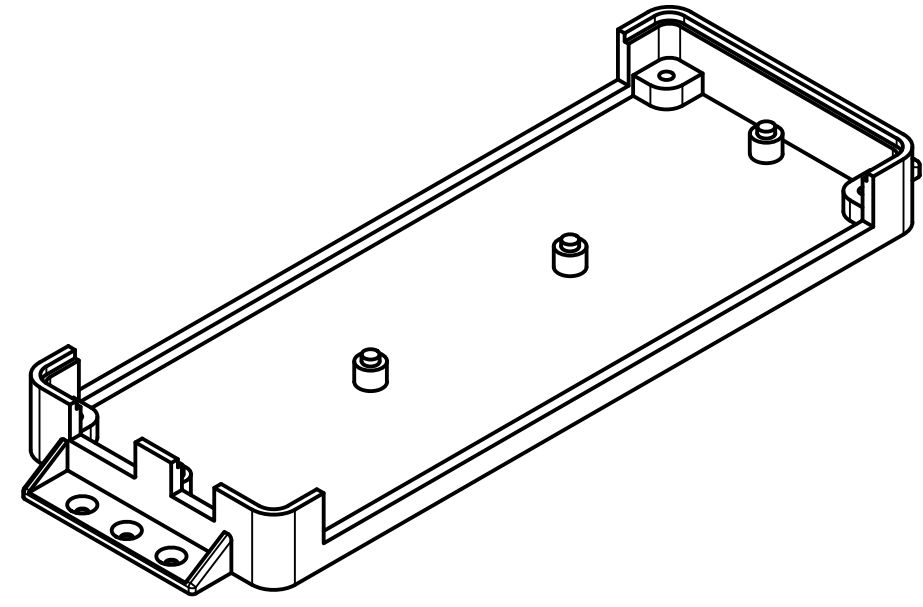
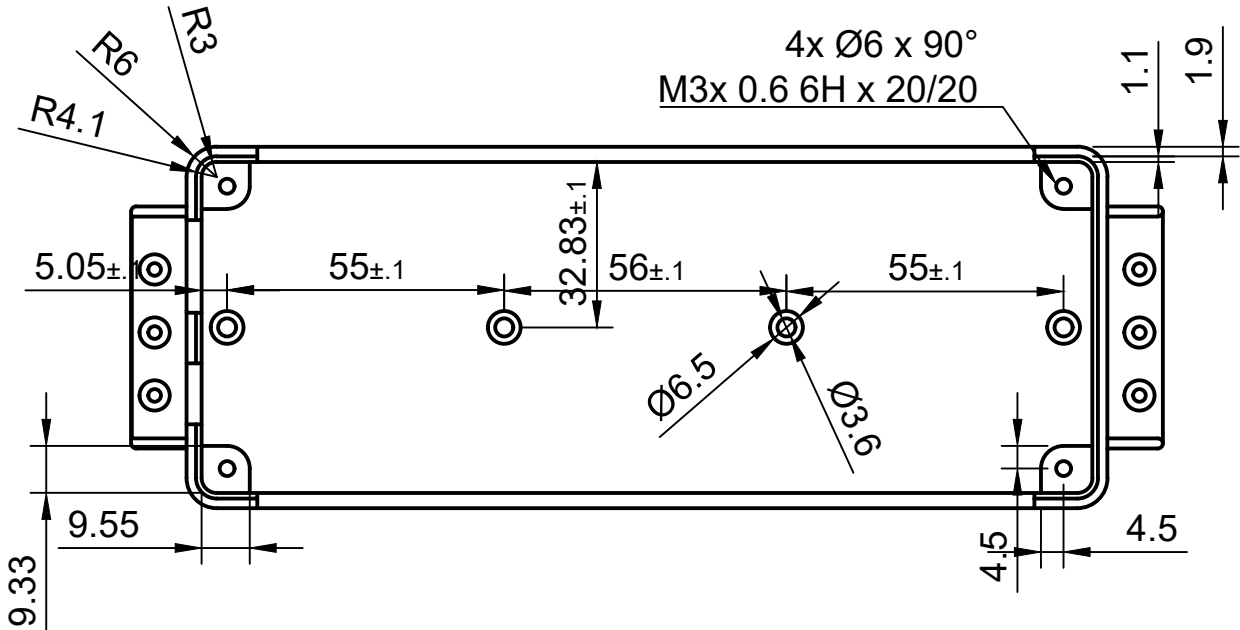
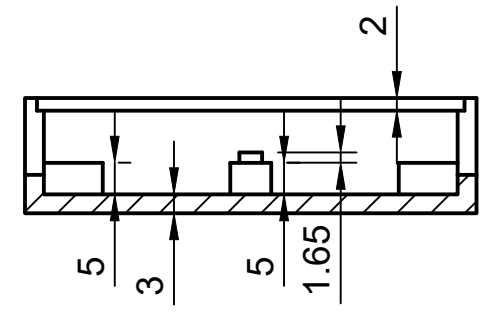
$182.75 \pm .2$   
 $71.65 \pm .2$   
 $24.5 \pm .2$   
 $12.5 \pm .1$   
 $10.5$   
 $11$   
 $9$   
 $18.27$   
 $2$   
 $3 \times \text{Ø}6 \times 90^\circ$   
 $\text{M}3 \times 0.5 \text{ 6H} \times 5/5$


$12.1$   
 $18.4$   
 $14.5$   
 $8.7$   
 $11.2$   
 $2$   
 $10.4$

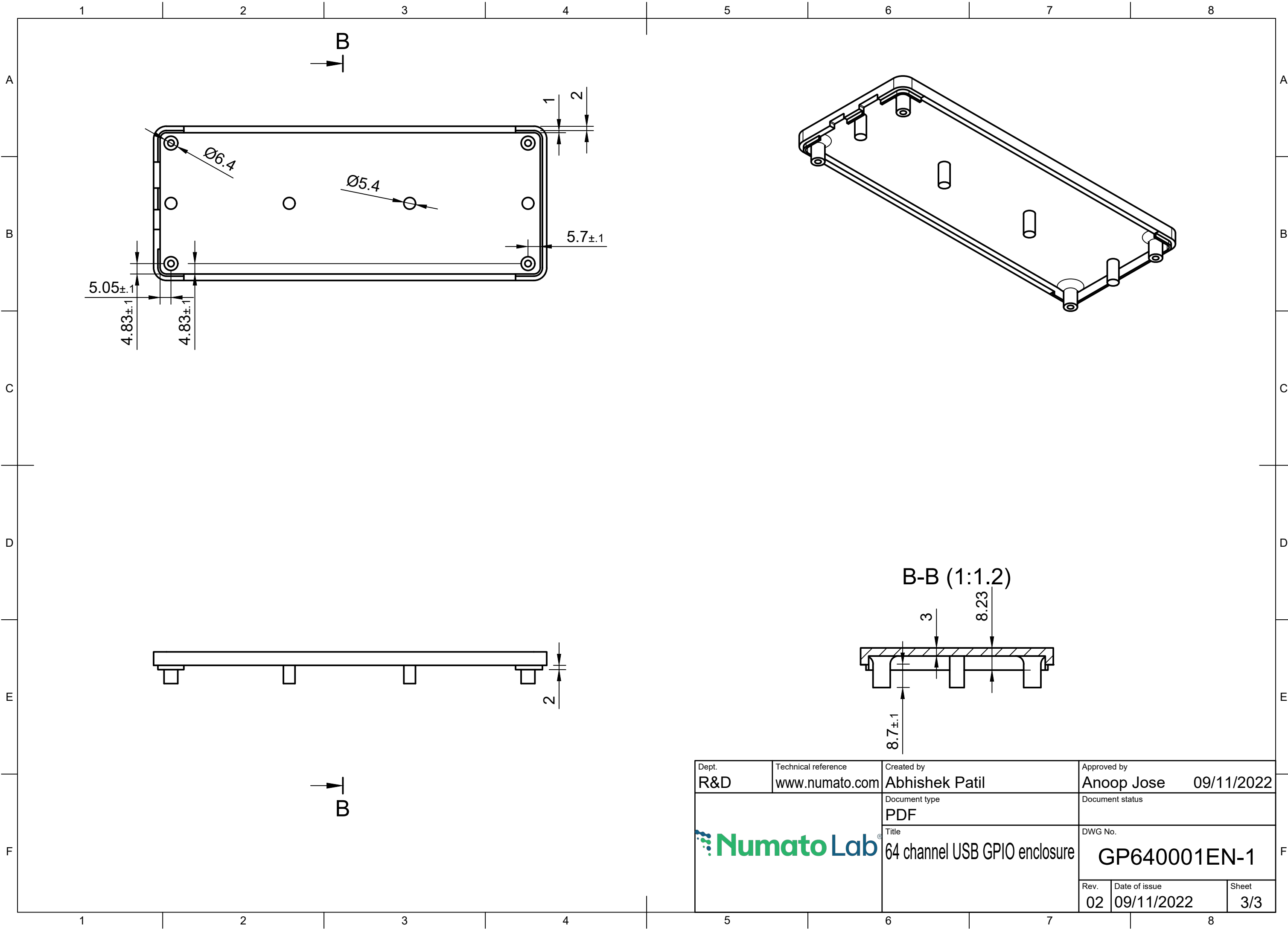
Dept. R&D	Technical reference www.numato.com	Created by Abhishek Patil	Approved by Anoop Jose 09/11/2022
		Document type PDF	Document status
		Title 64 channel USB GPIO enclosure	DWG No. <b>GP640001EN-1</b>
		Rev. 02	Date of issue 09/11/2022
		Sheet 1/3	




A-A (1:1.2)



Dept. R&D	Technical reference www.numato.com	Created by Abhishek Patil	Approved by Anoop Jose 09/11/2022
		Document type PDF	Document status
		Title 64 channel USB GPIO enclosure	DWG No. GP640001EN-1
Rev. 02	Date of issue 09/11/2022	Sheet 2/3	



Dept. R&D	Technical reference www.numato.com	Created by Abhishek Patil	Approved by Anoop Jose 09/11/2022
		Document type PDF	Document status
		Title 64 channel USB GPIO enclosure	DWG No. GP640001EN-1
Rev. 02	Date of issue 09/11/2022	Sheet 3/3	