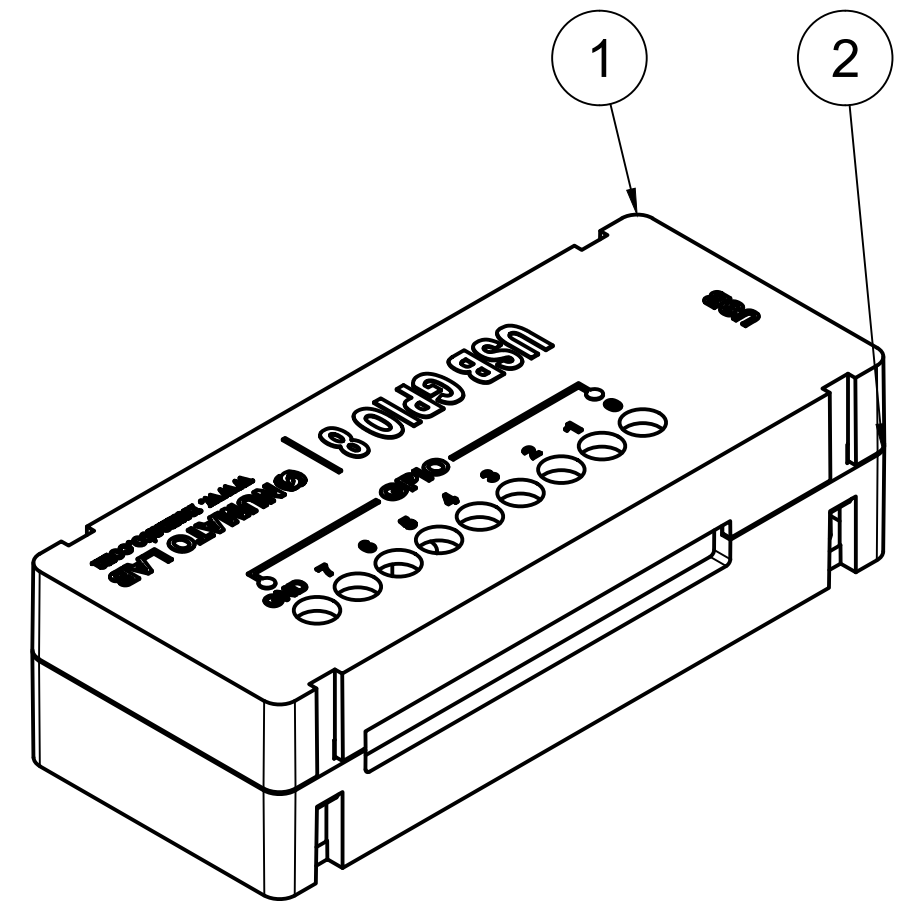
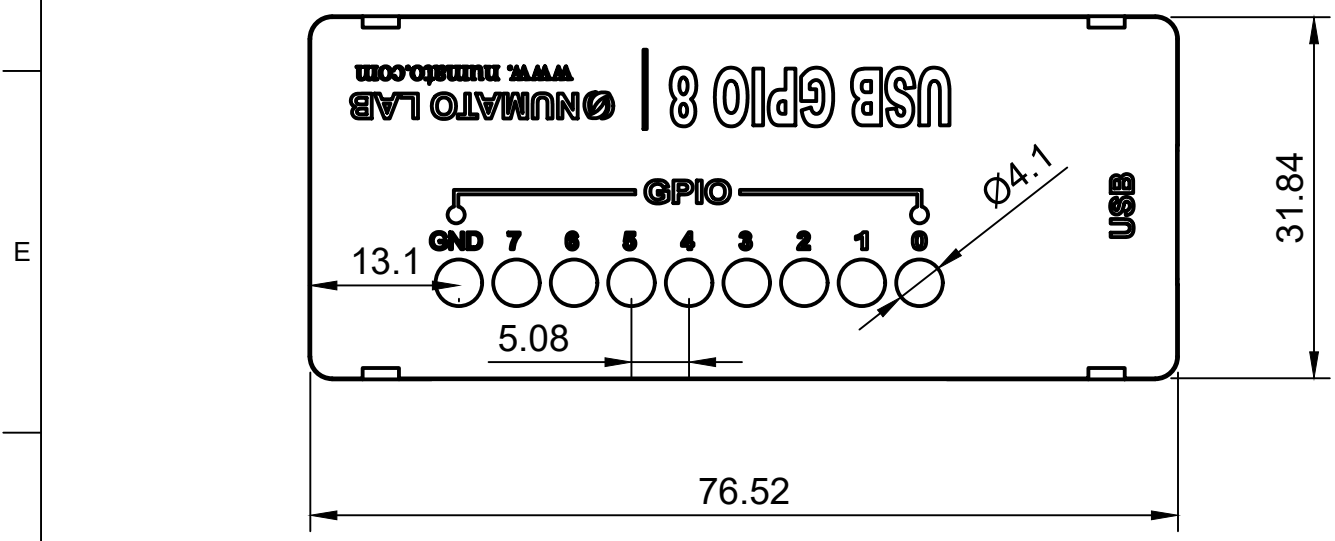
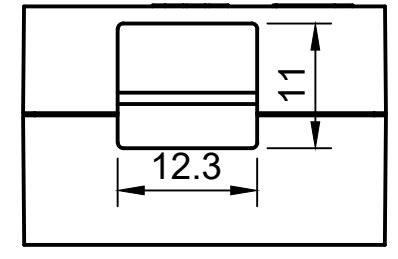

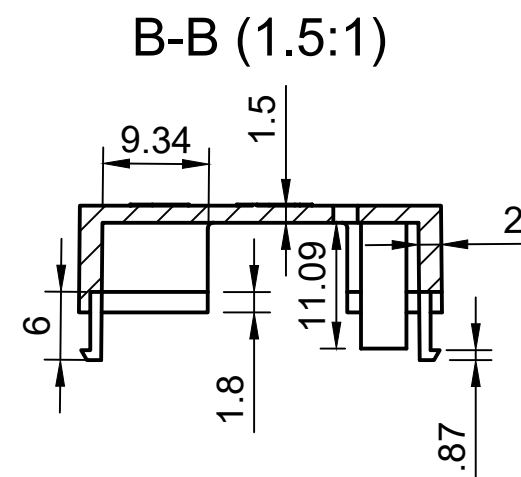
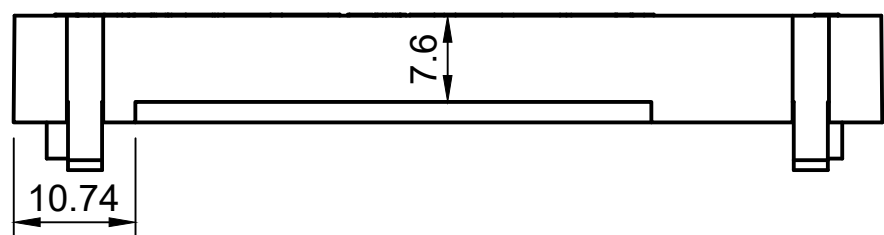
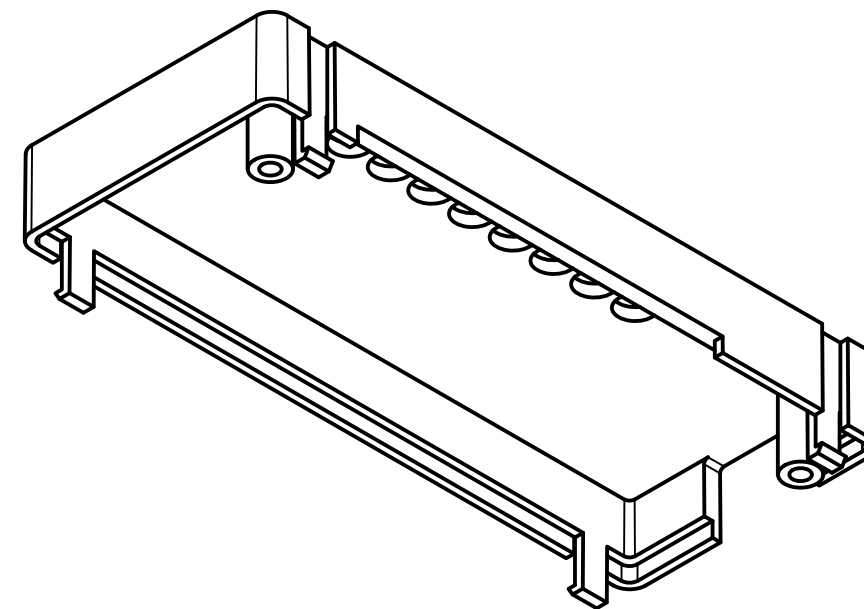
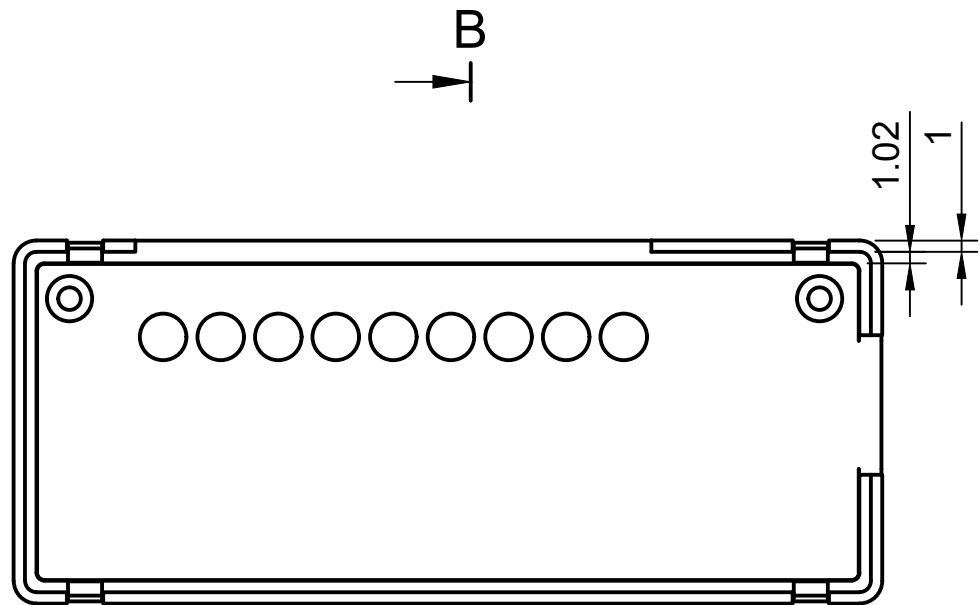



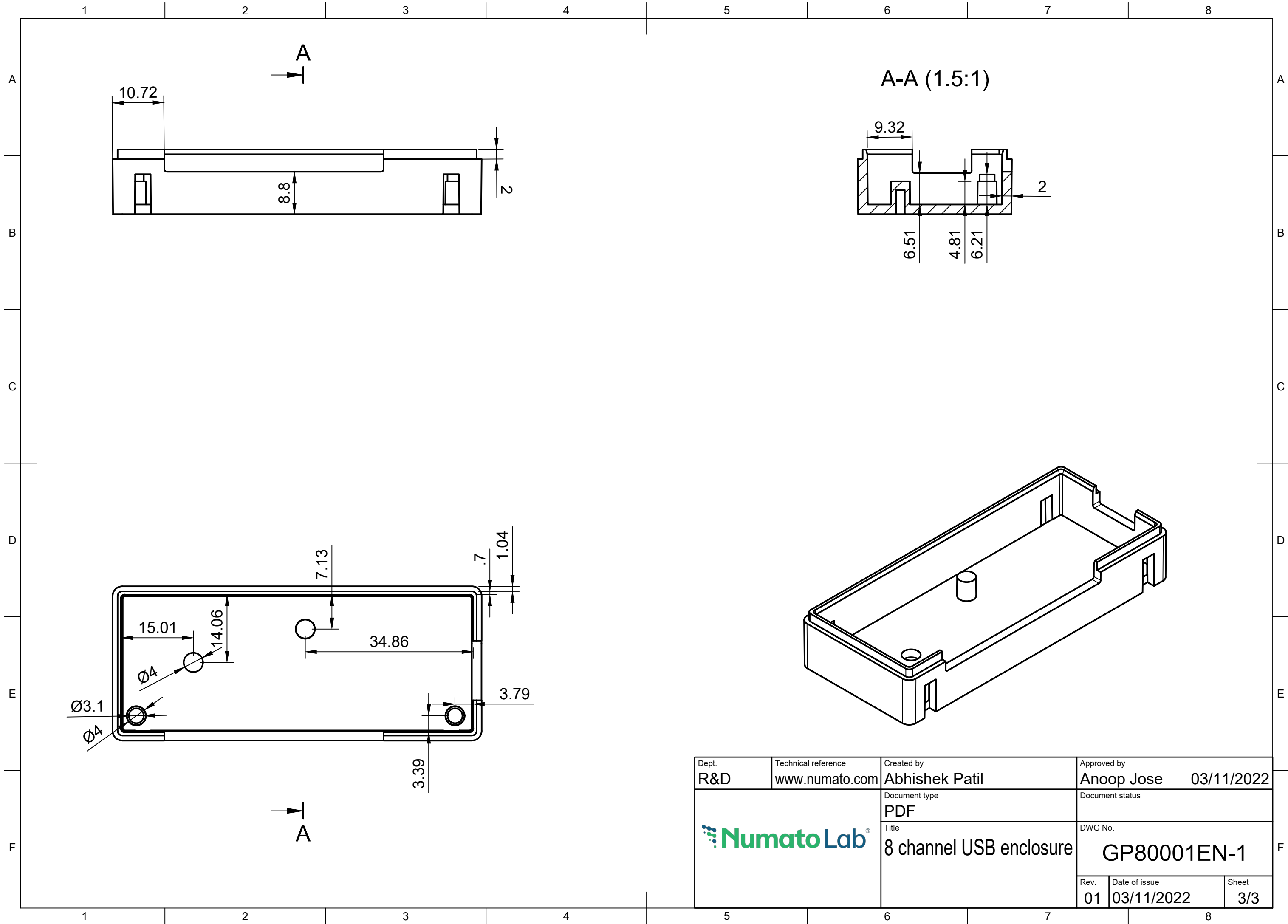
Parts List				
Item	Qty	Part Number	Description	Material
1	1	Top		ABS Plastic
2	1	Bottom		ABS Plastic




Dept. R&D	Technical reference www.numato.com	Created by Abhishek Patil	Approved by Anoop Jose 03/11/2022
		Document type PDF	Document status
		Title 8 channel USB enclosure	DWG No. GP80001EN-1
Rev. 01	Date of issue 03/11/2022	Sheet 1/3	



Dept. R&D	Technical reference www.numato.com	Created by Abhishek Patil	Approved by Anoop Jose 03/11/2022
		Document type PDF	Document status
		Title 8 channel USB enclosure	DWG No. GP80001EN-1
Rev. 01	Date of issue 03/11/2022	Sheet 2/3	



Dept. R&D	Technical reference www.numato.com	Created by Abhishek Patil	Approved by Anoop Jose 03/11/2022
		Document type PDF	Document status
		Title 8 channel USB enclosure	DWG No. GP80001EN-1
Rev. 01	Date of issue 03/11/2022	Sheet 3/3	