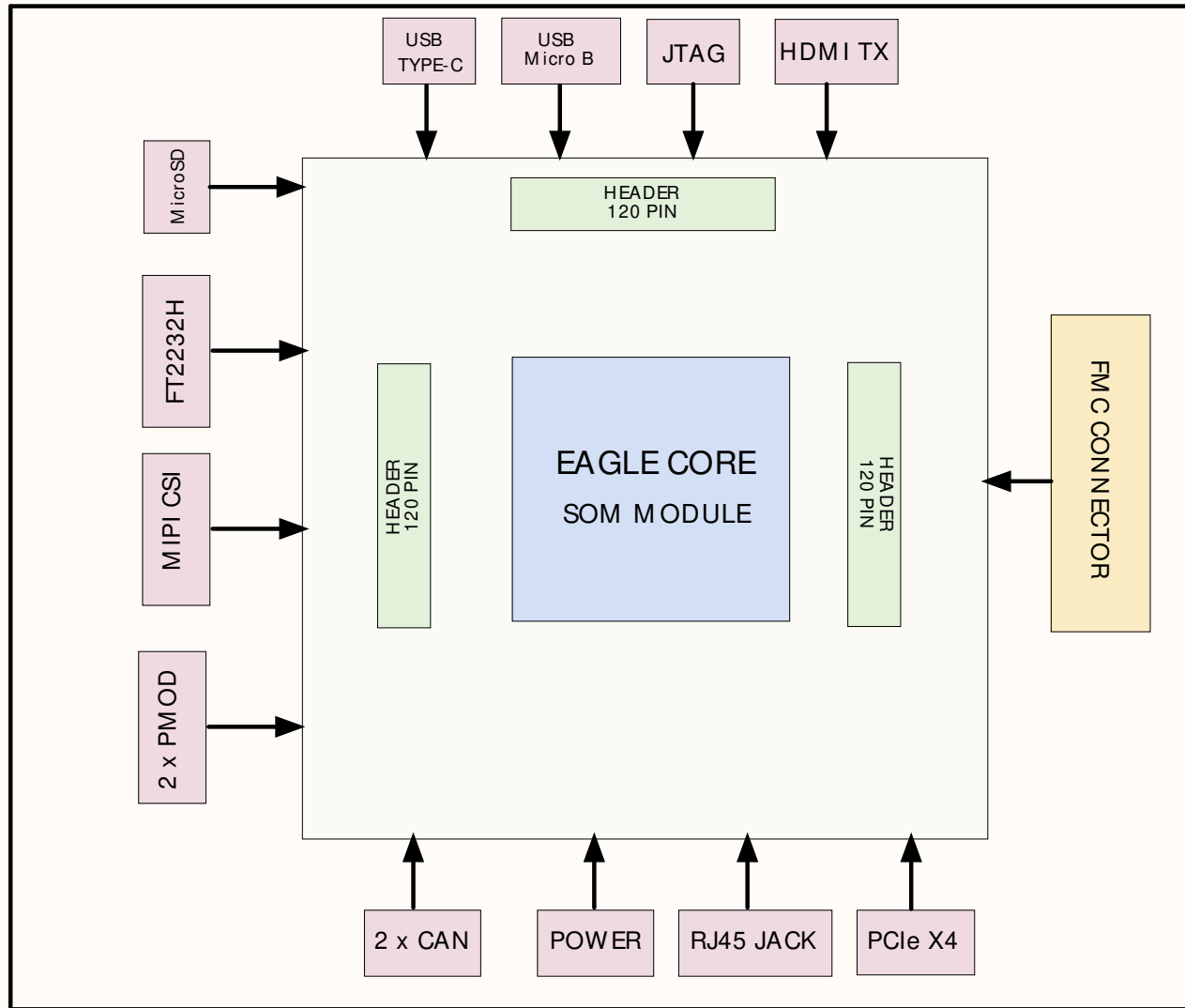
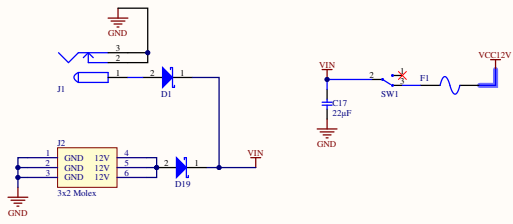


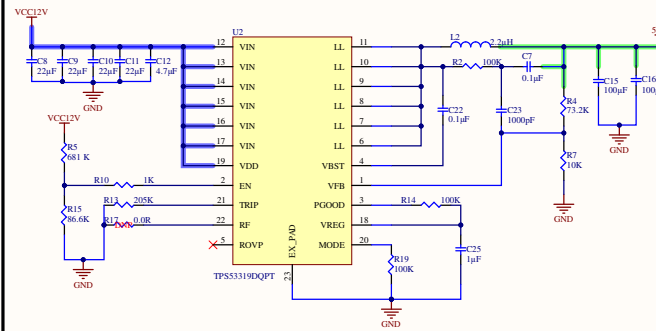
BLOCK DIAGRAM



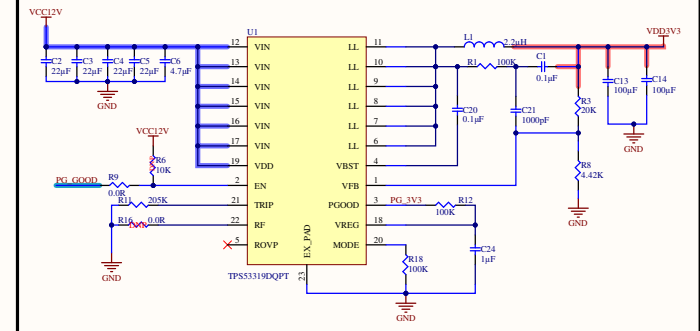
INPUT POWER 12V0



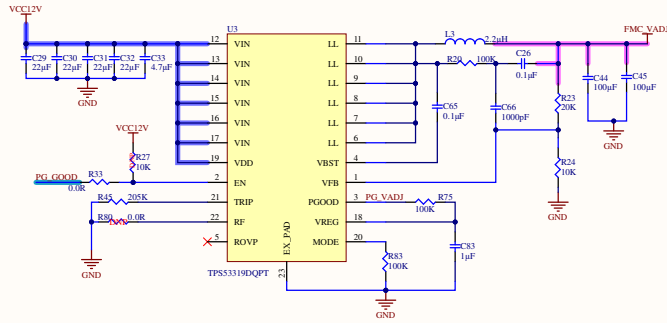
POWER 5V0



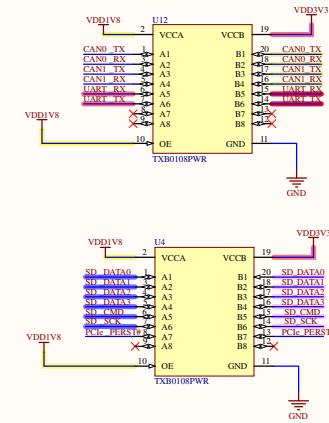
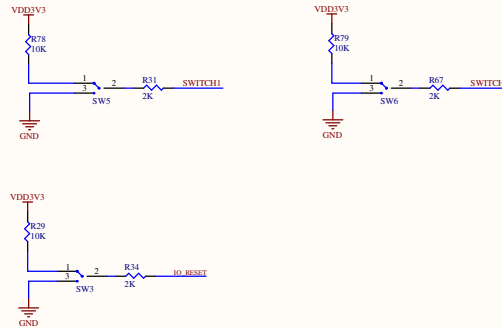
POWER 3V3



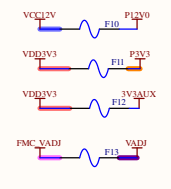
POWER VADJ 1V8



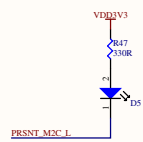
SWITCH CONFIGURATION



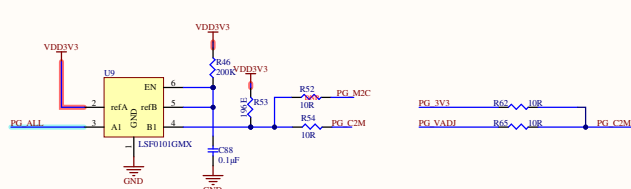
FMC INPUT FUSE



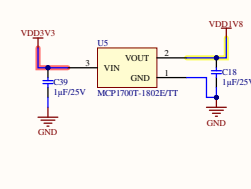
FMC PRSNT SIG



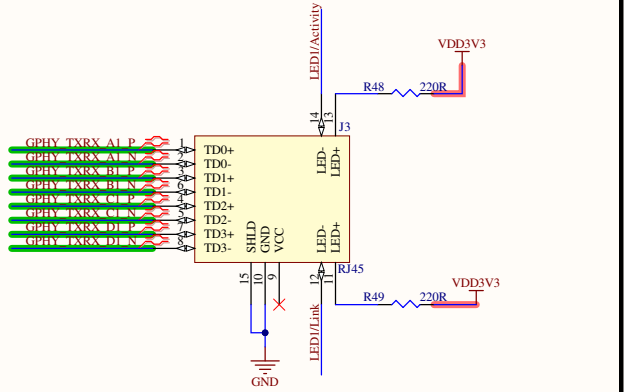
POWER OK



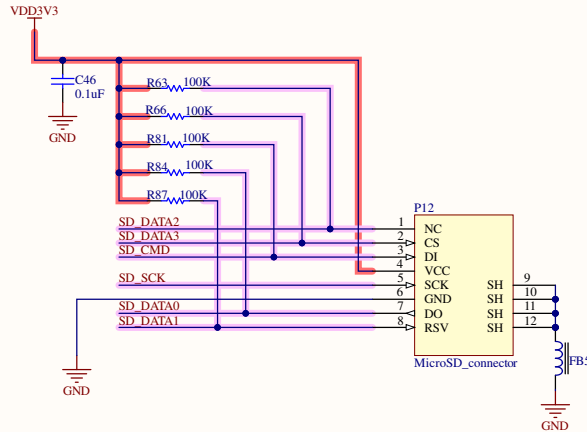
POWER 1V8



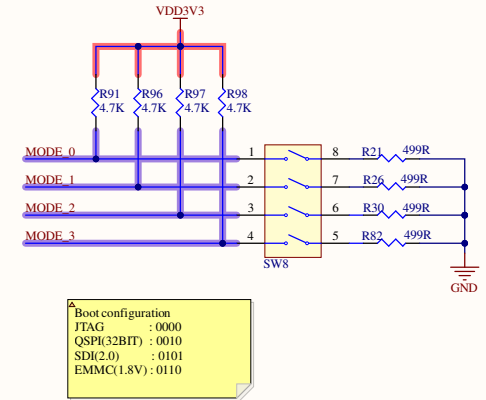
ETHERNET



MicroSD

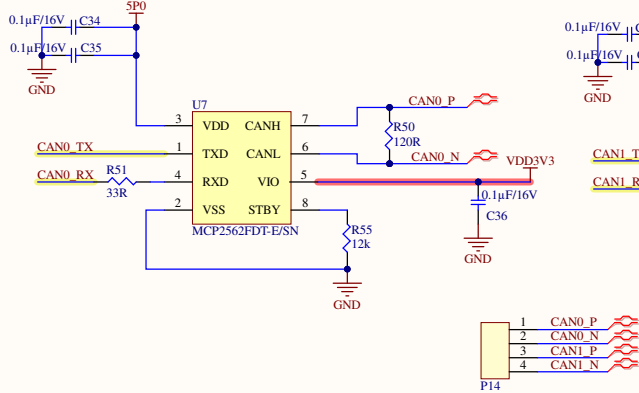


MODE SELECTION

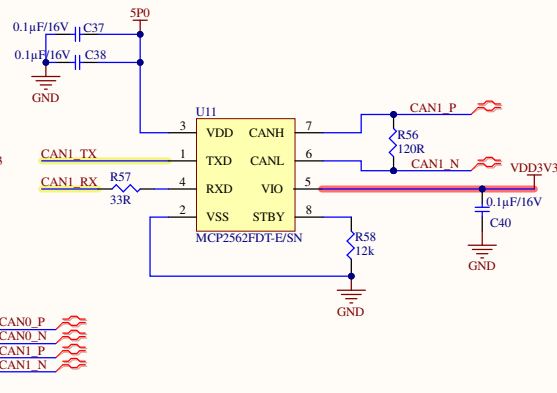


Boot configuration
 JTAG : 0000
 QSPI(32BIT) : 0010
 SDI(2.0) : 0101
 EMMC(1.8V) : 0110

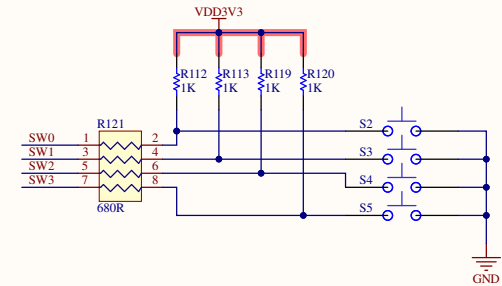
CAN 0



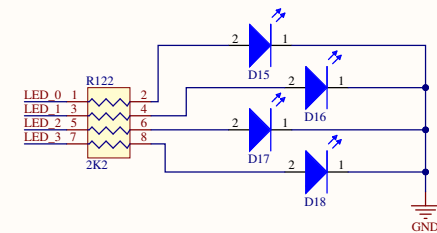
CAN 1



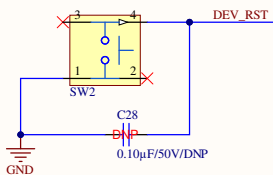
Push Buttons



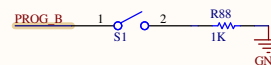
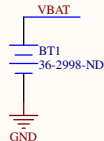
User LED's

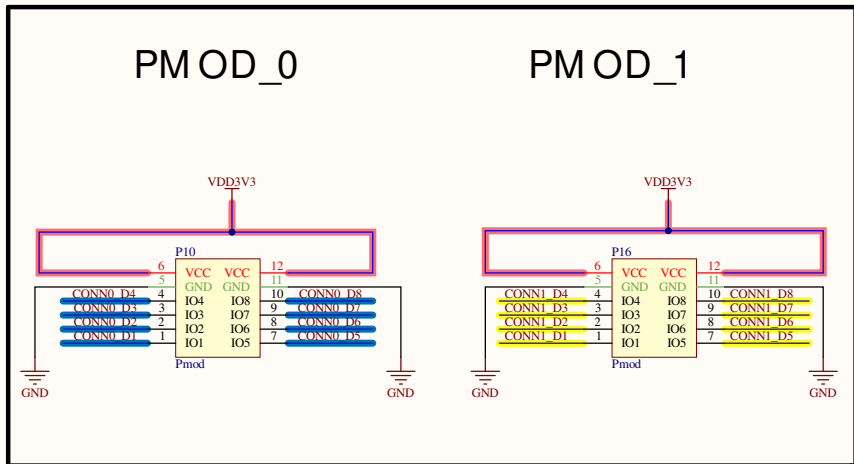
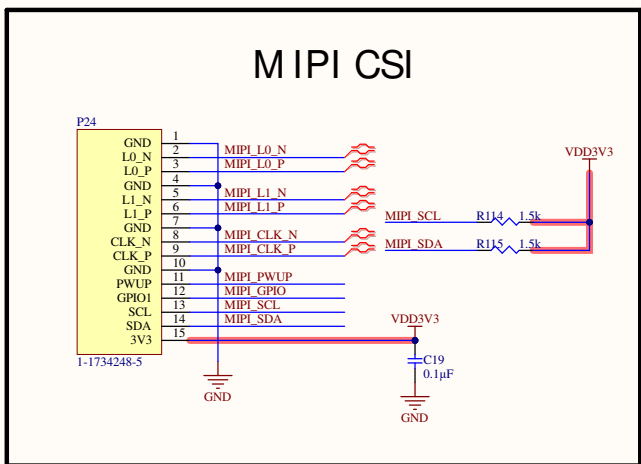
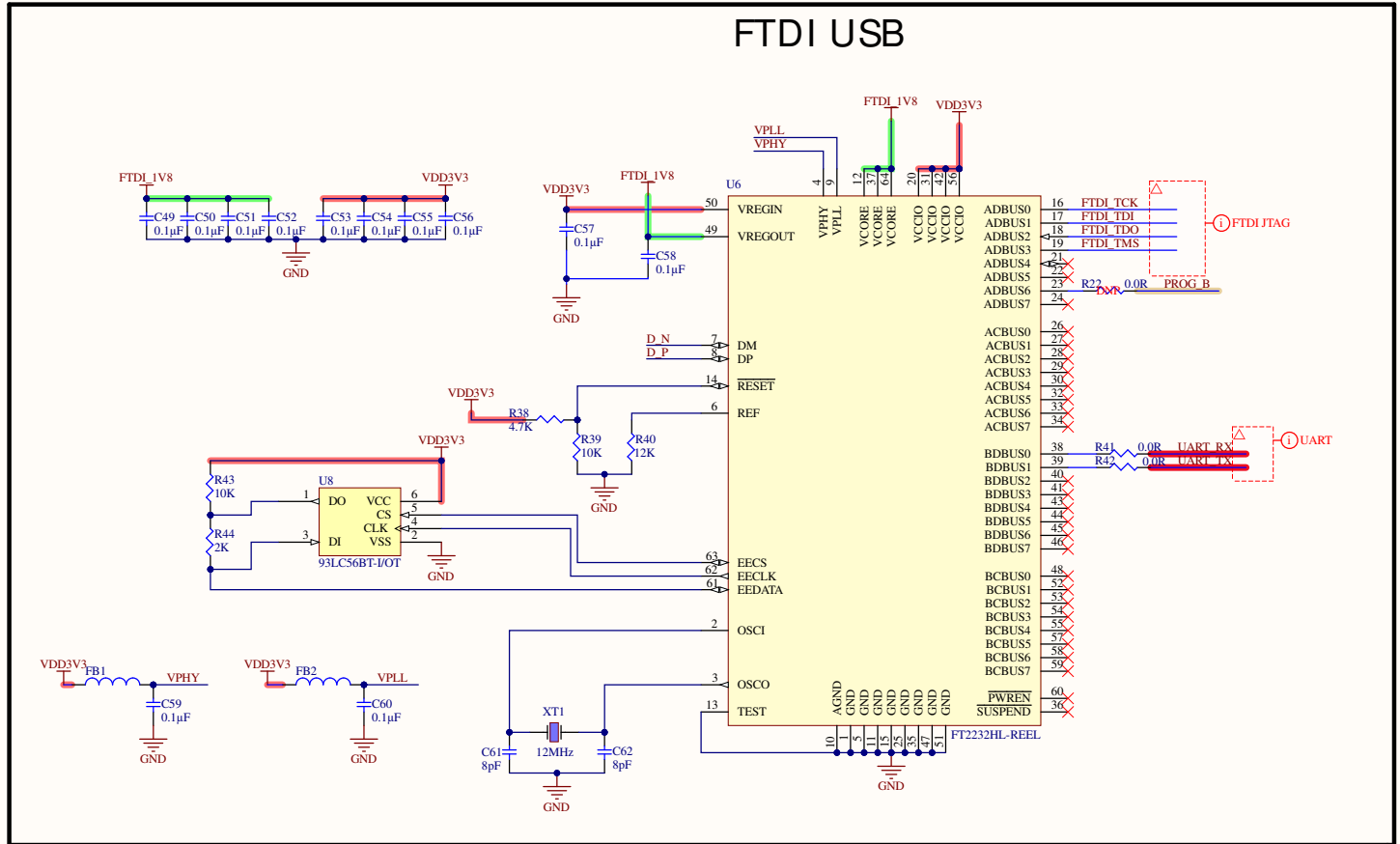
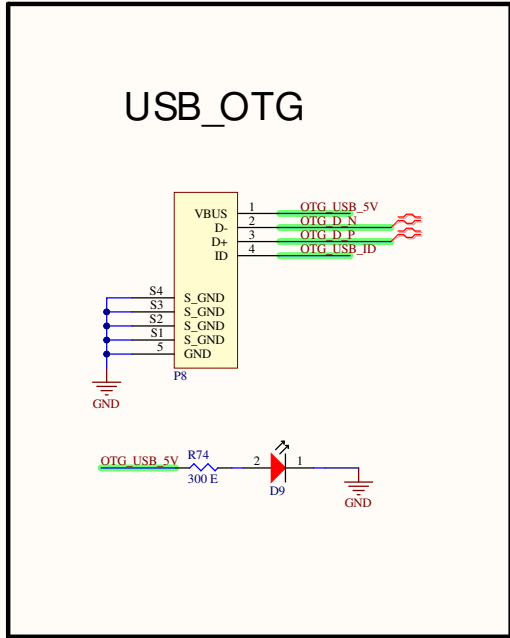
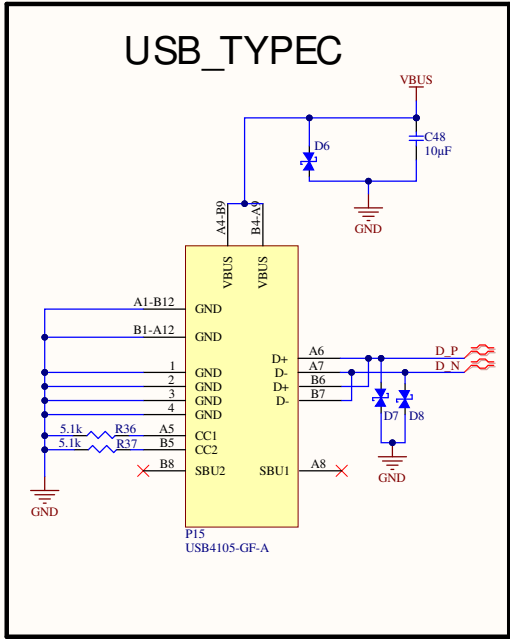


RESET CONFG

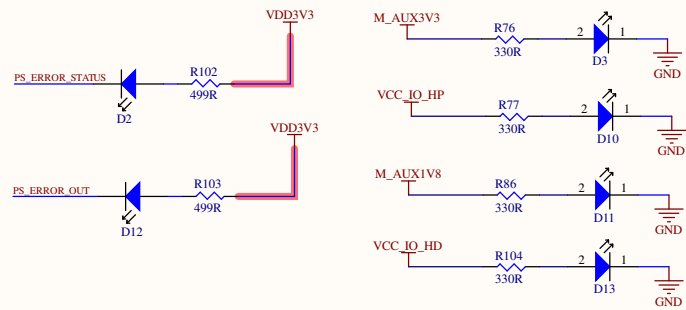
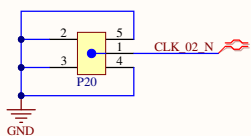
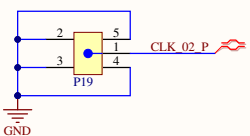
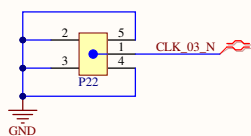
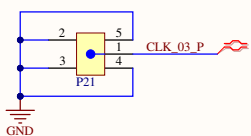
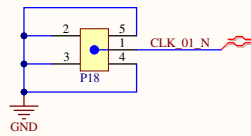
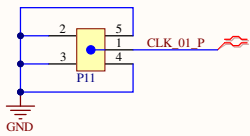
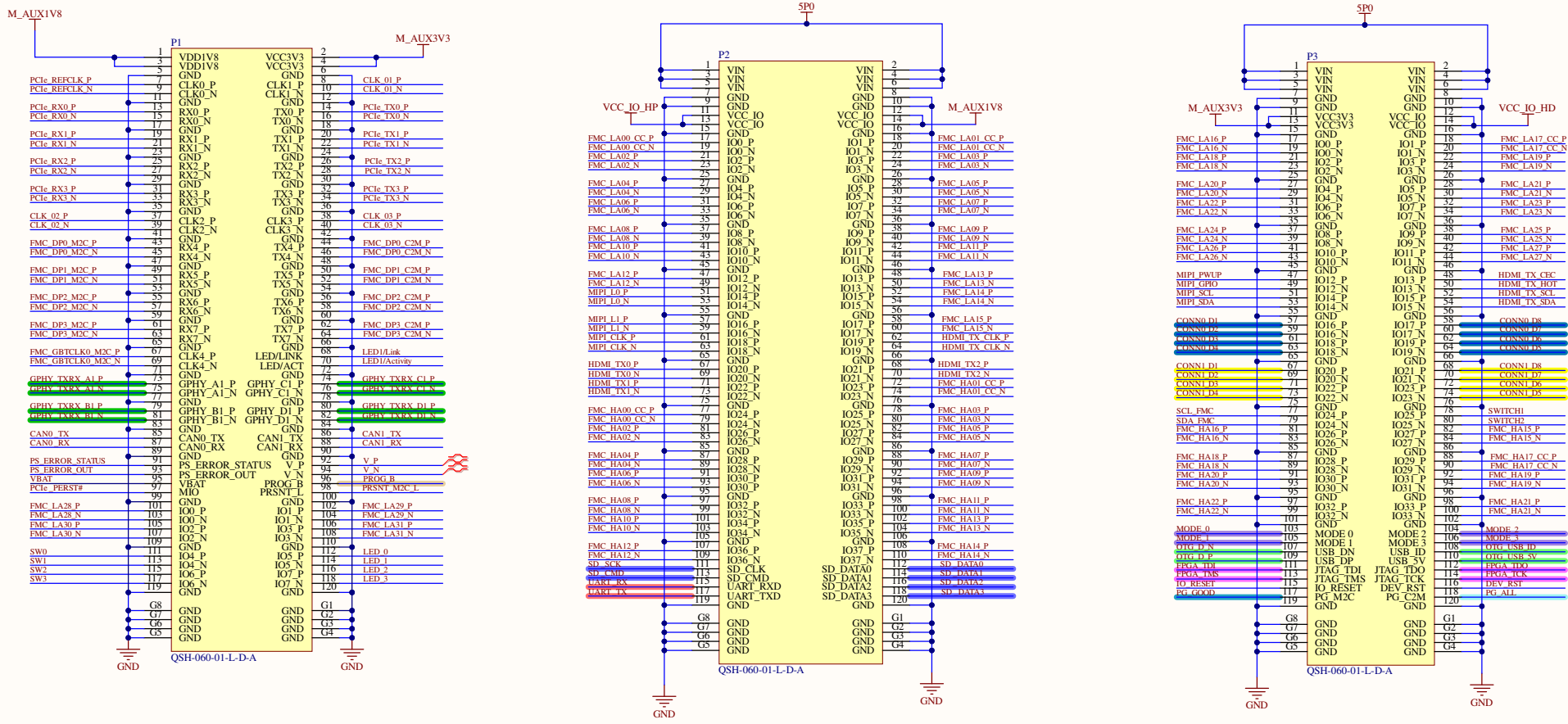
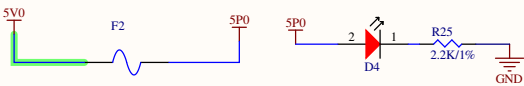


VBAT





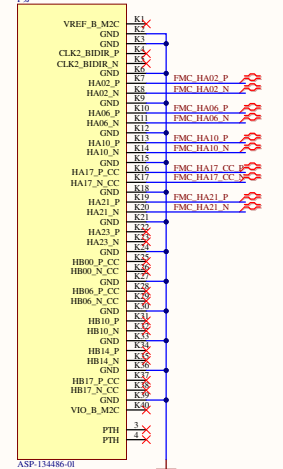
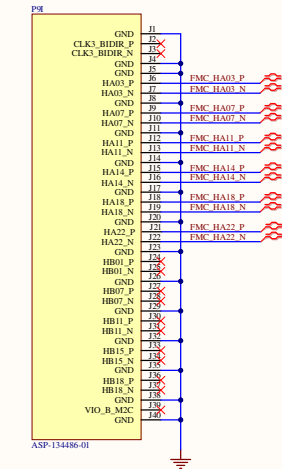
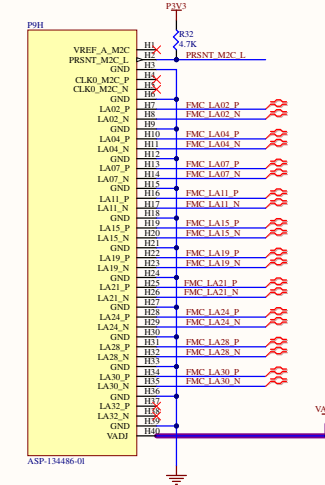
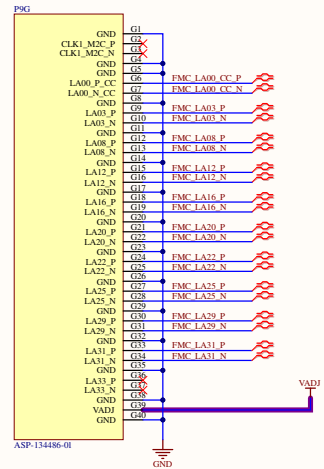
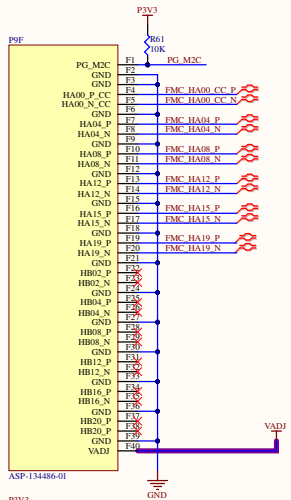
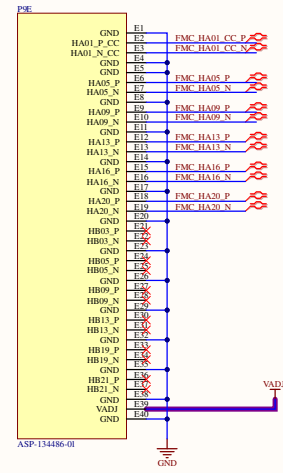
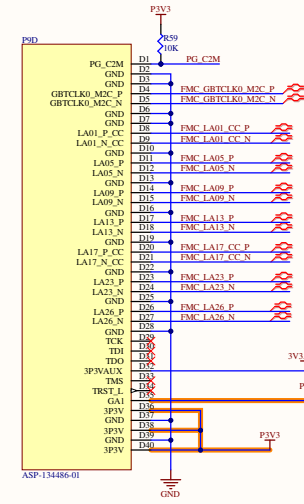
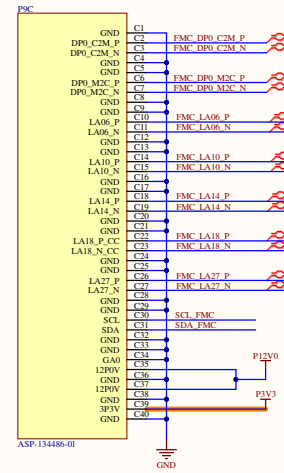
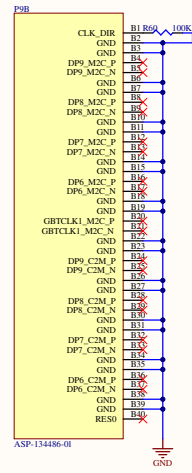
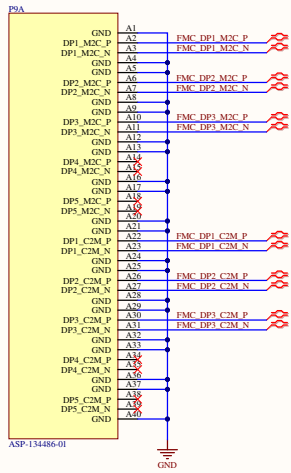
CONNECTOR



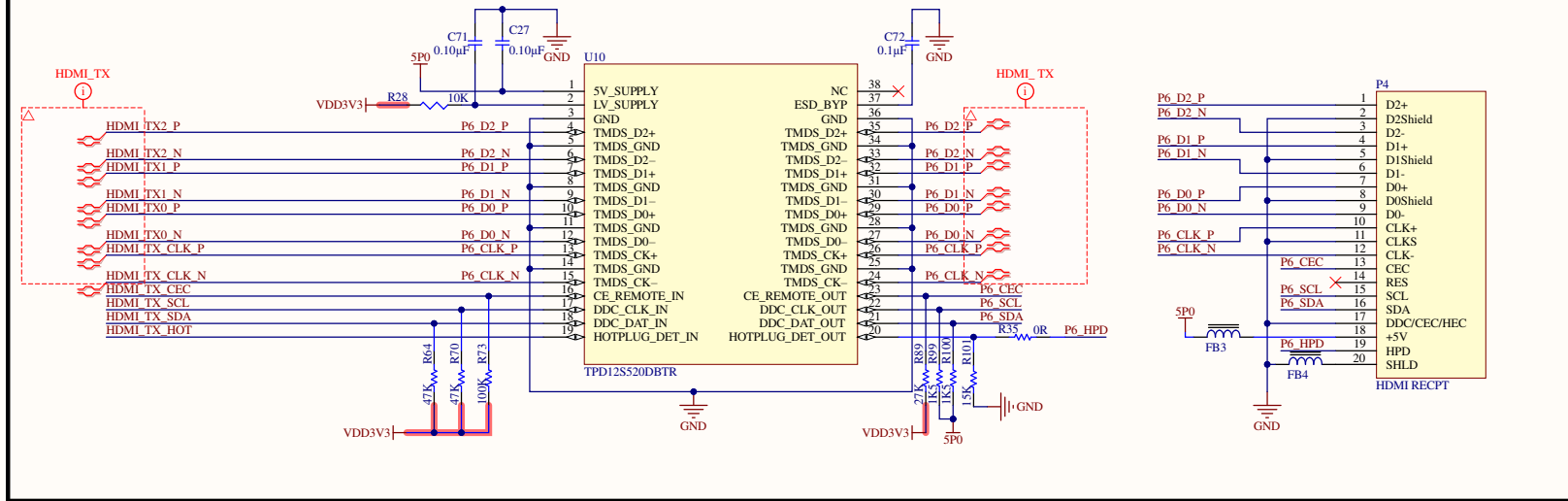
Title: CONNECTOR	Revision: A.00
Size: A3	Project: NL-FMPS_A_001.PjtPcb
Date: 06.02.2025	Time: 18:00:17
File: CONN.SchDoc	Sheet 5 of 7



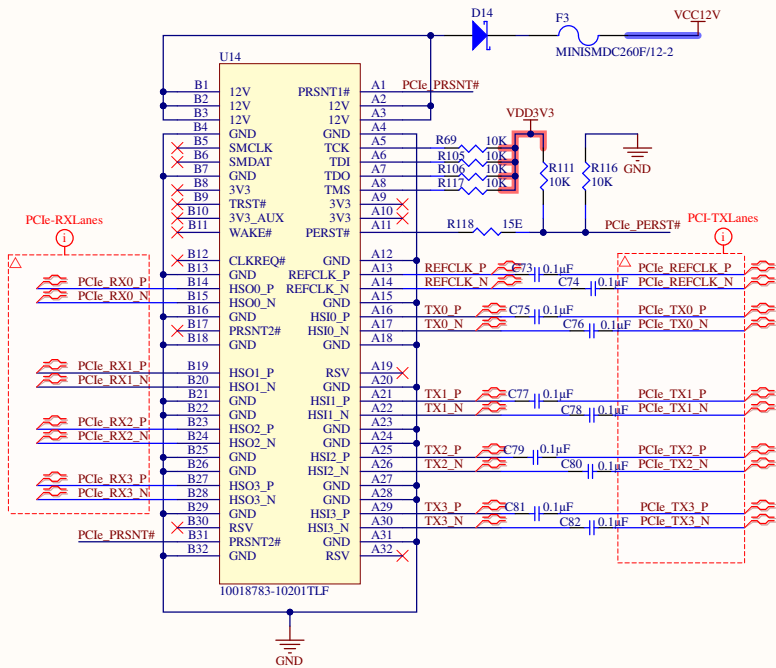
FMC HPC



HDMI OUT



PCIe



JTAG HEADER

