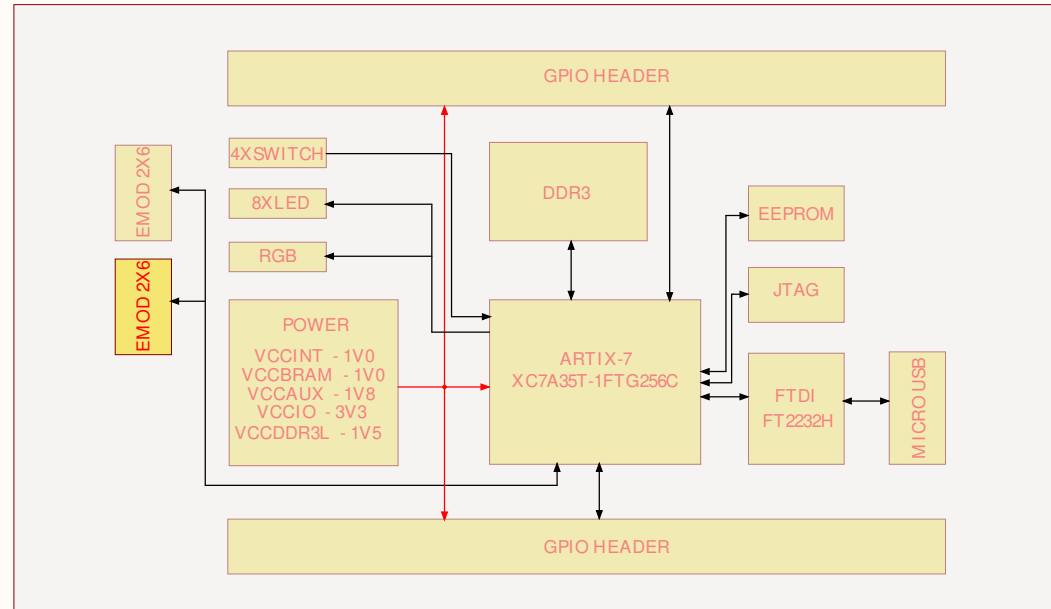
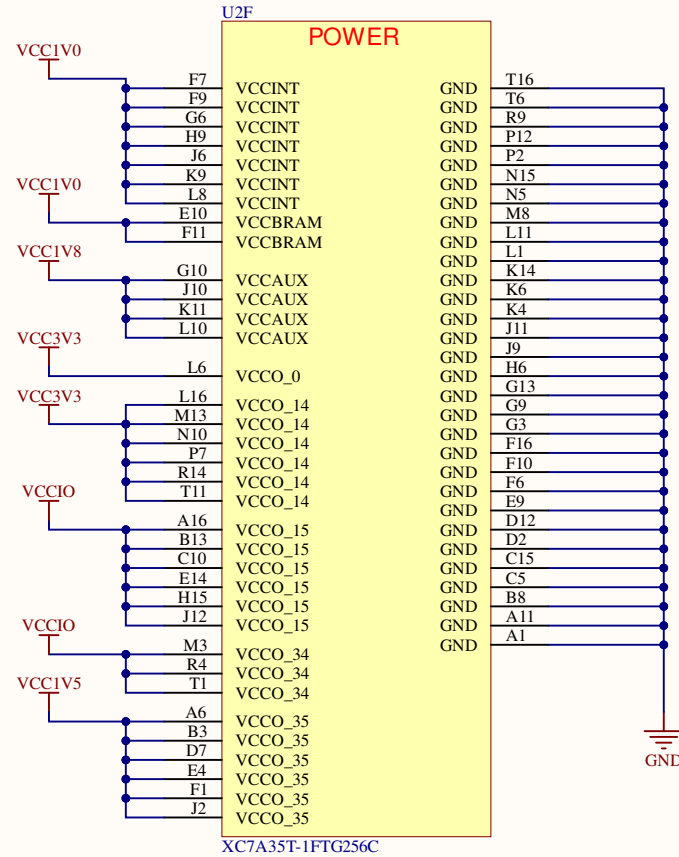
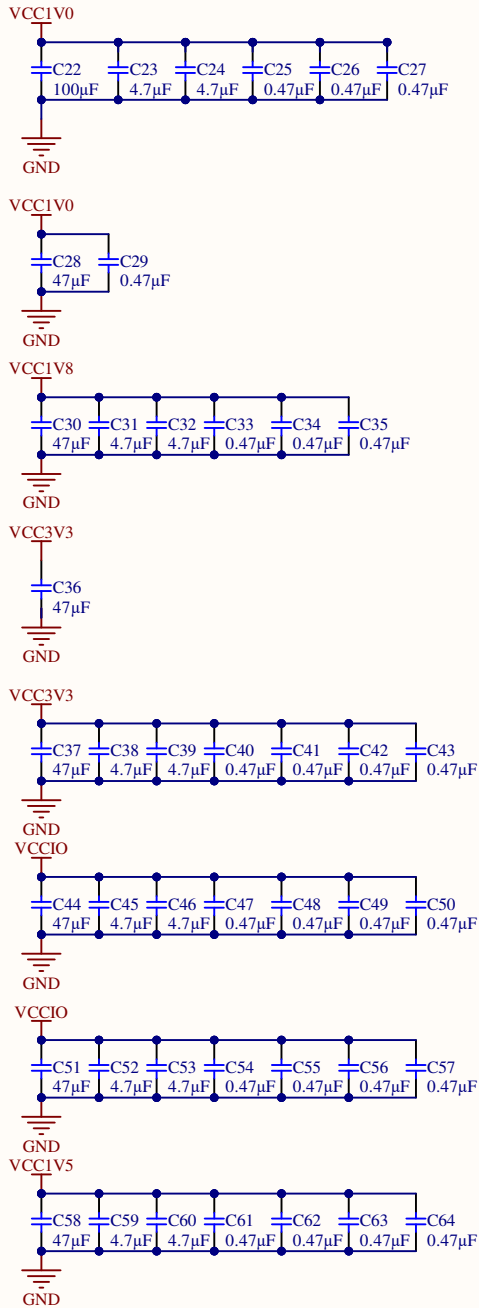


BLOCK DIAGRAM



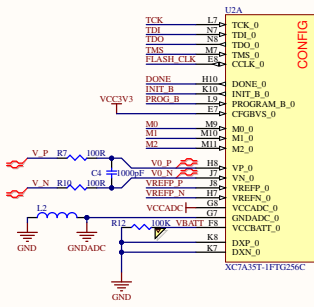
FPGA POWER



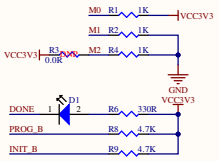
Title: FPGA_POWER		Revision: V5.0	
Size: A4	Project: mimas-a7-mini-board.PrjPCB		
Date: 31-07-2023	Time: 12:51:41	Sheet 3 of 6	
File: FPGA_POWER.SchDoc			



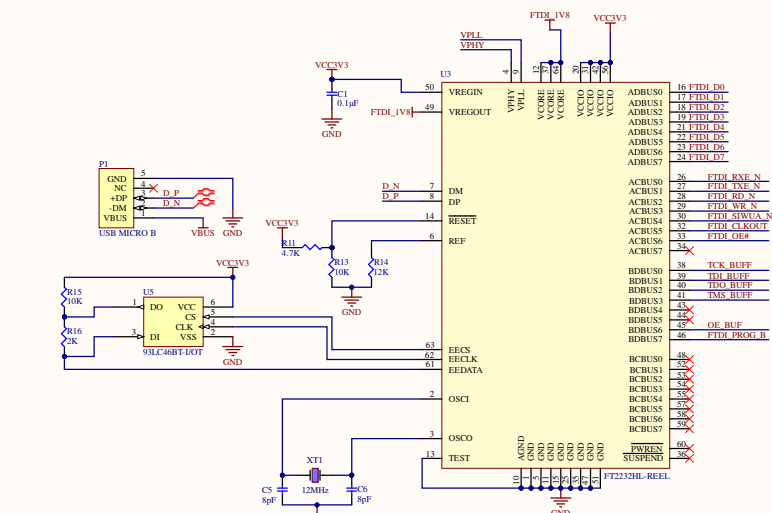
FPGA CONFIG



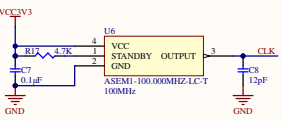
FPGA VREF



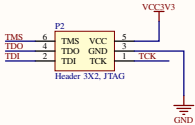
USB FTDI



FPGA CLK



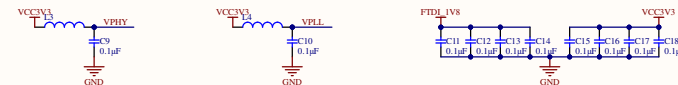
FPGA JTAG



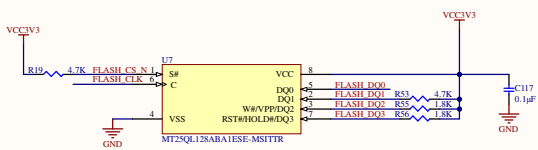
FPGA ANALOG INPUT



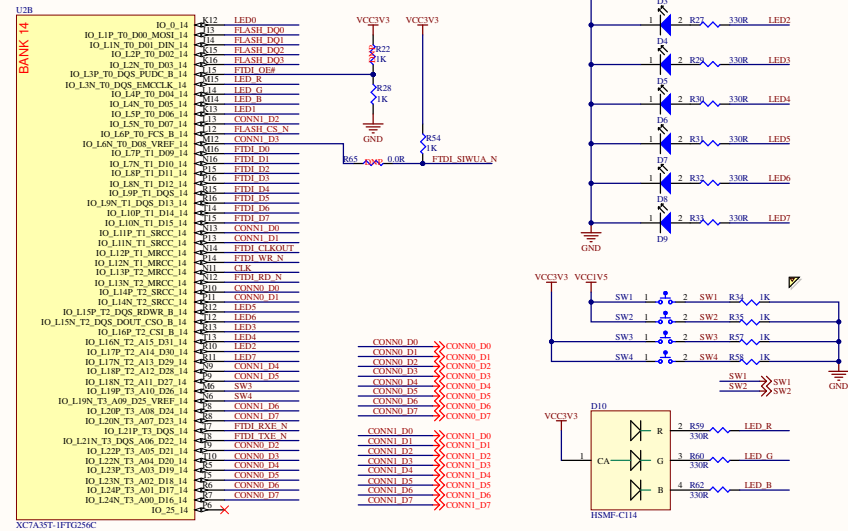
VCCBATT POWER



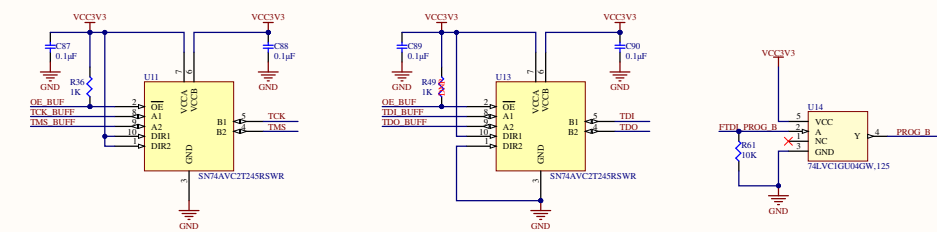
FPGA EEPROM



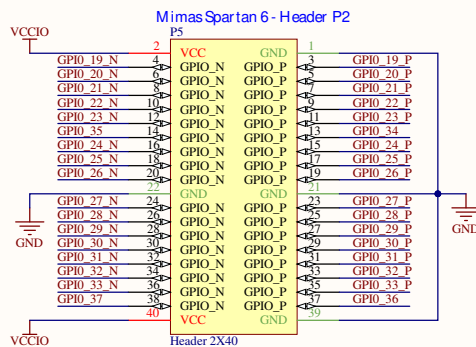
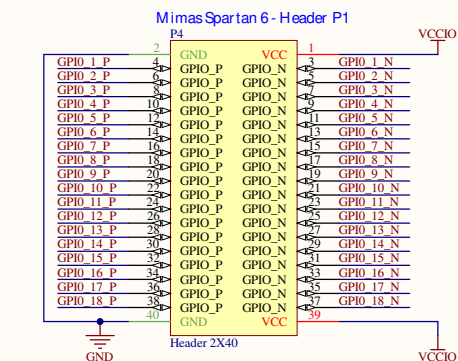
FPGA CONFIG



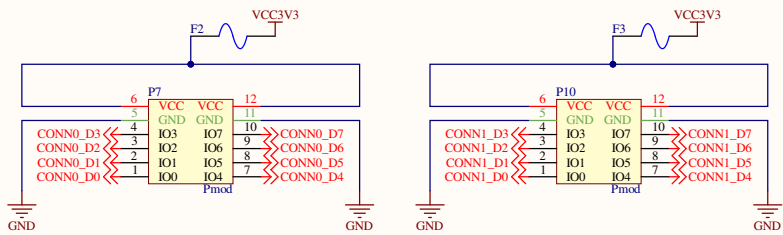
FTDI JTAG SELECTOR



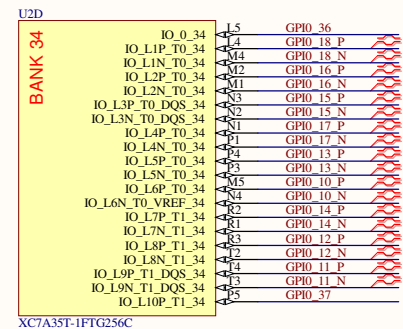
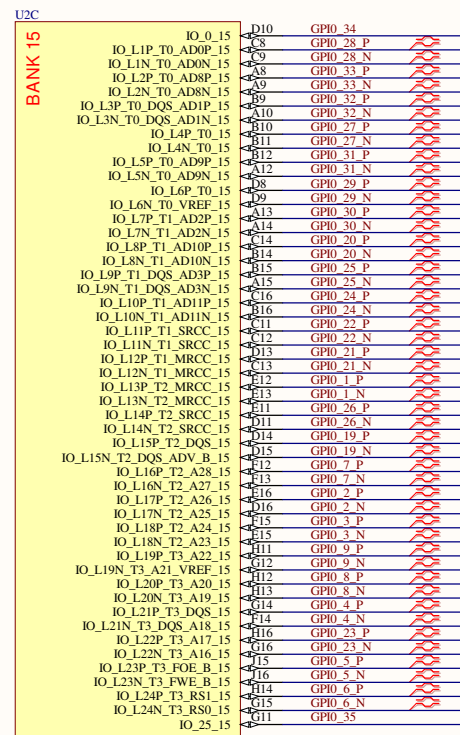
CONNECTOR GPIO



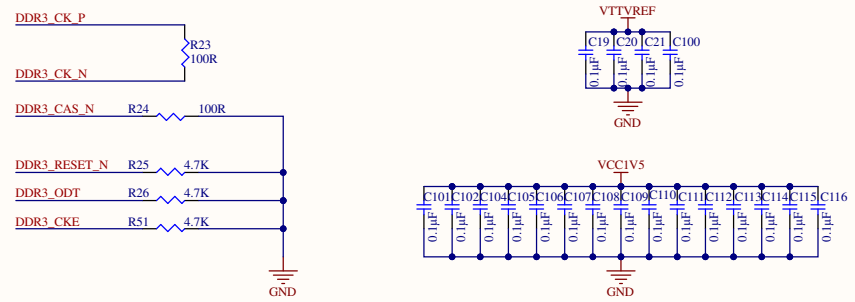
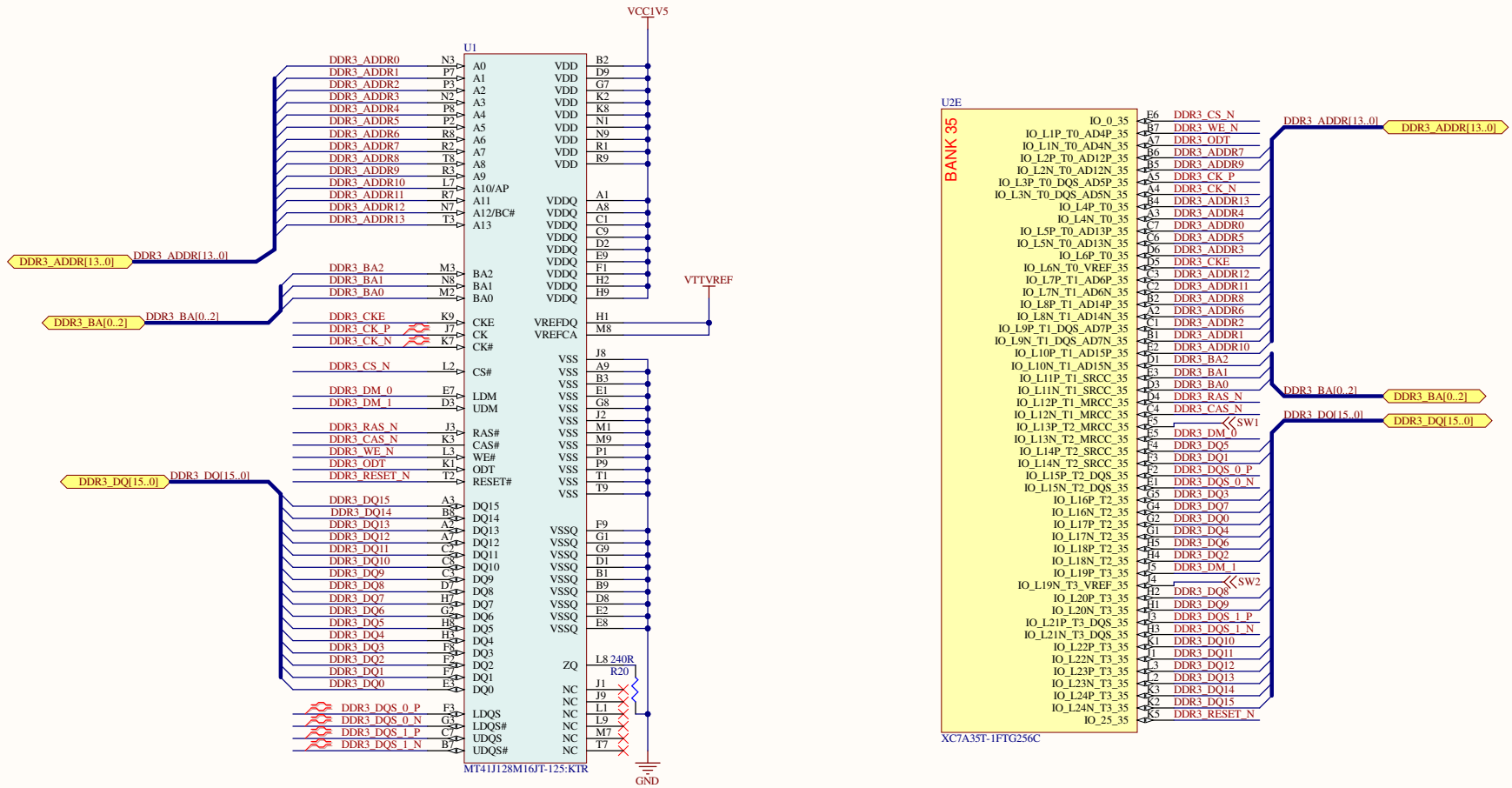
GPIO 2X6 CONNECTOR



FPGA GPIO

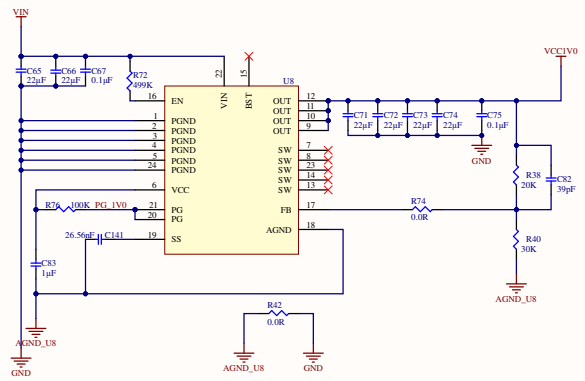


DDR3_FPGA

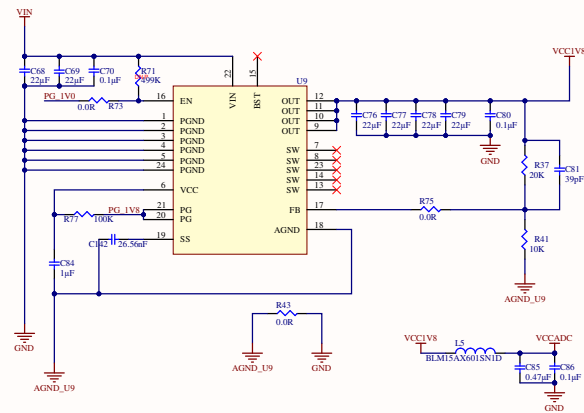


PWR_Supply

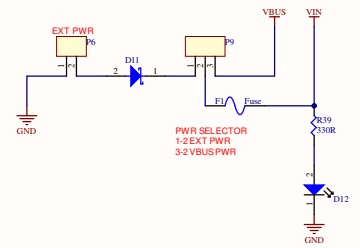
POWER VCC1V0



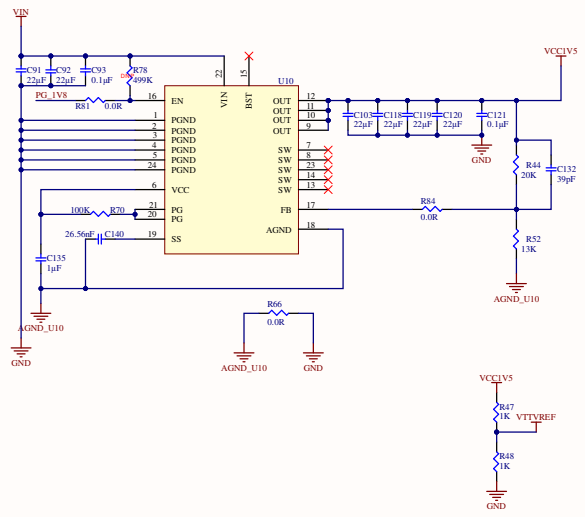
POWER VCC1V8



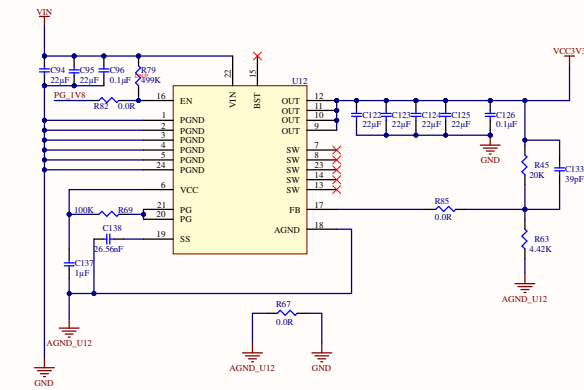
POWER SELECTOR



DDR3 VCC1V5, VTTREF



POWER VCC3V3



POWER VCCIO

