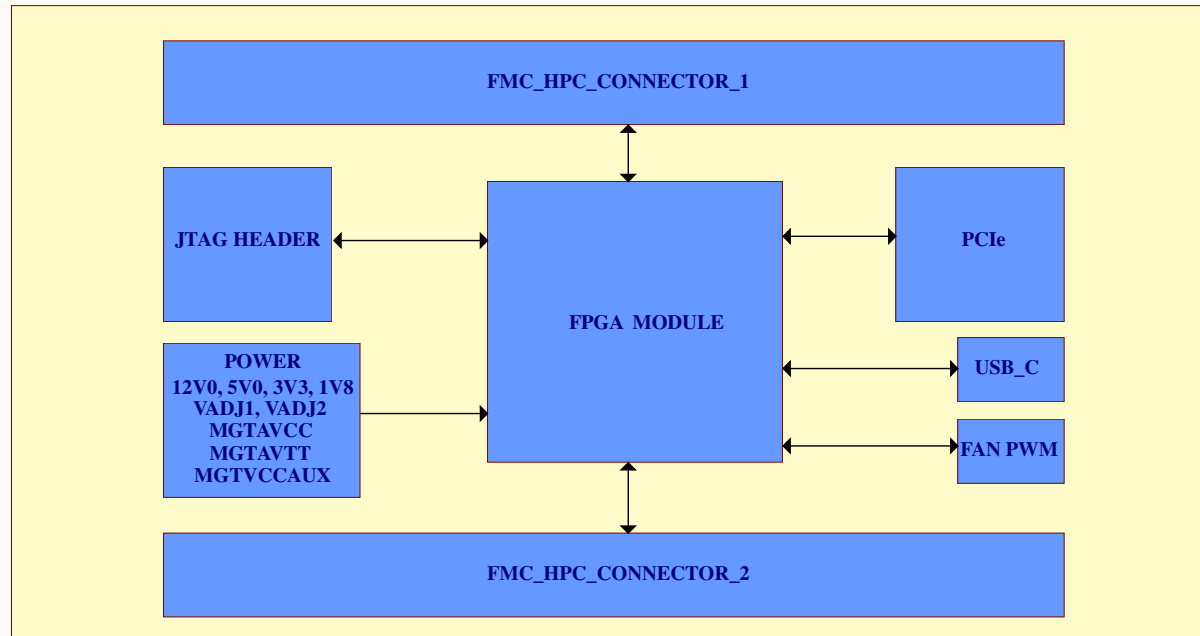


CARRIER BLOCK DIAGRAM



CARRIER COMPACTIBILITY BETWEEN MODULE

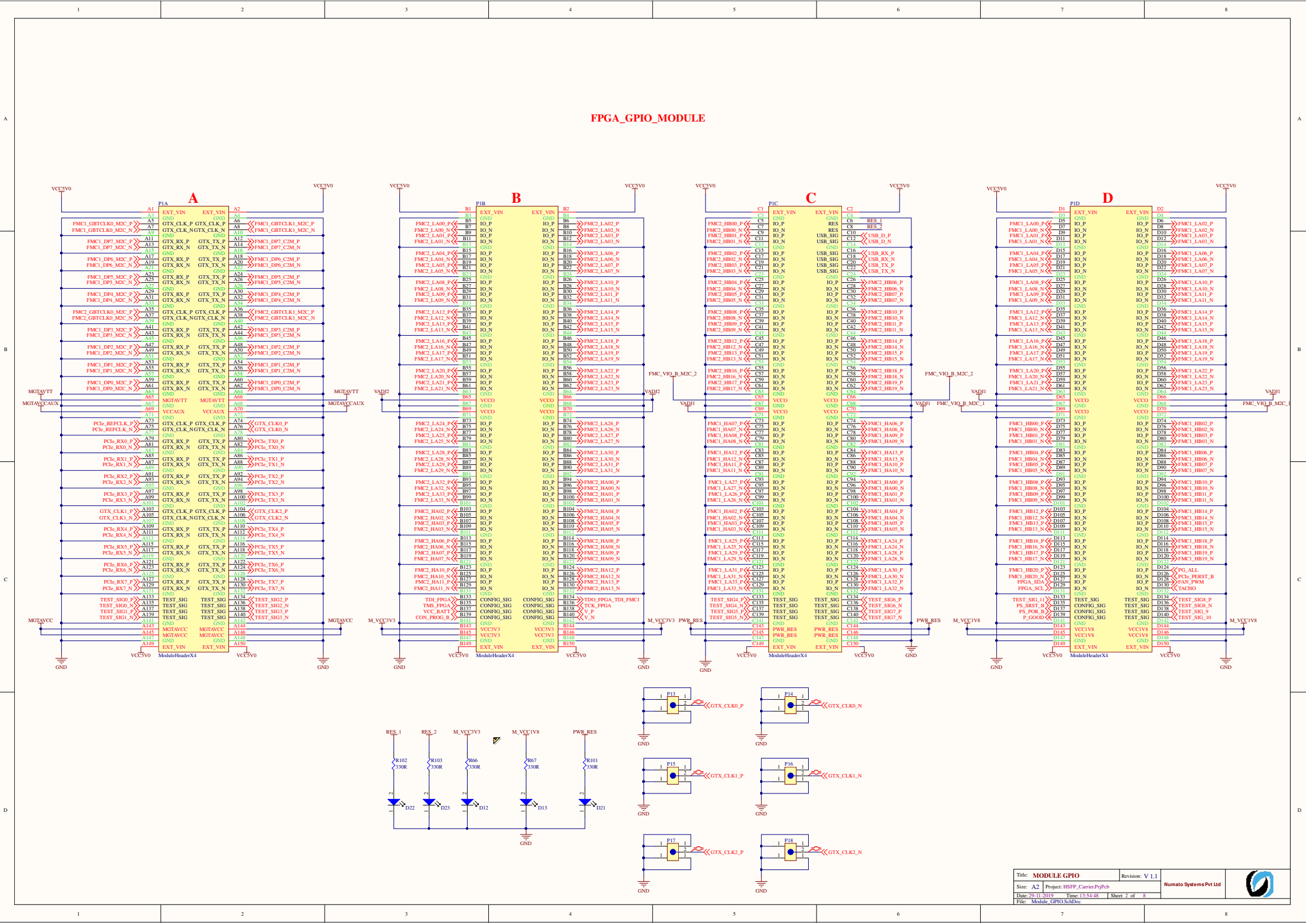
CONNECTOR SIDE	CARRIER SIDE	HSFPX001 MODULE	NILE MODULE	TRAVOS MODULE
A	FMC1_GBT	B118 & B117	NA	B224
D	FMC1_LA	B12	B12	B66
C	FMC1_HA & FMC1_LA	B13	NA	B65
D	FMC1_HB	B32	B13	B45 & B46
NA	FMC2_GBT	NA	NA	NA
B	FMC2_LA	B17	B15	B64
B	FMC2_HA & FMC2_LA	B18	B16	B43 & B44
C	FMC2_HB	NA	NA	PS MIO
A	PCIeX8	B116 & B115	B216 & B213	B505(PCIeX4)

POWER COMPACTIBILITY BETWEEN MODULE

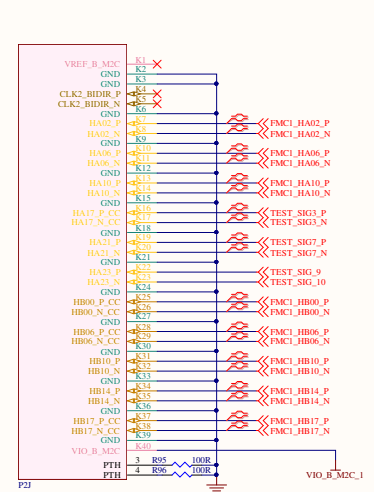
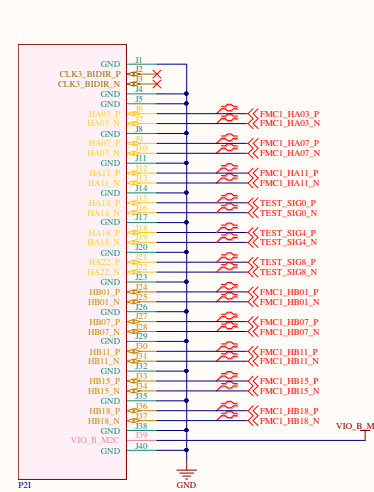
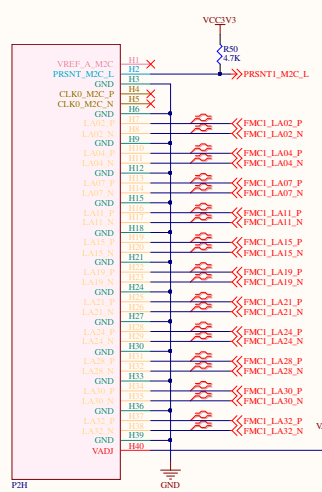
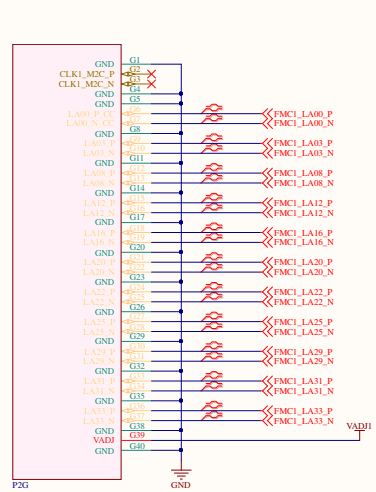
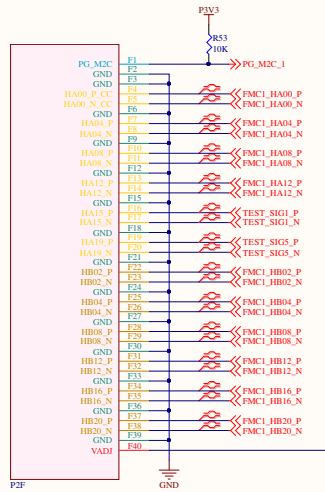
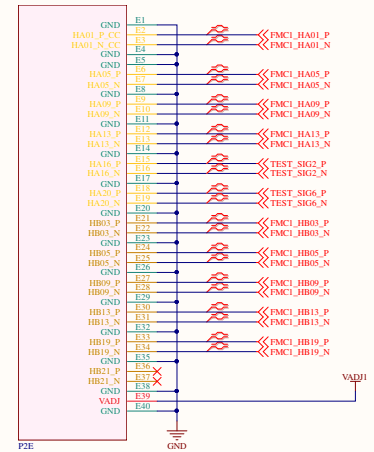
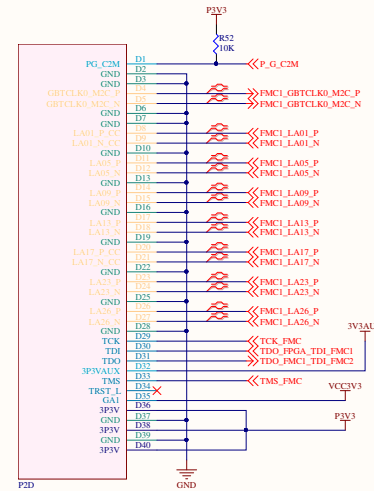
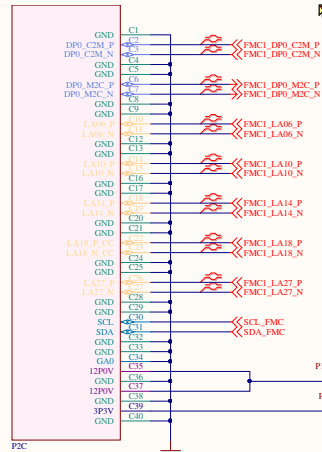
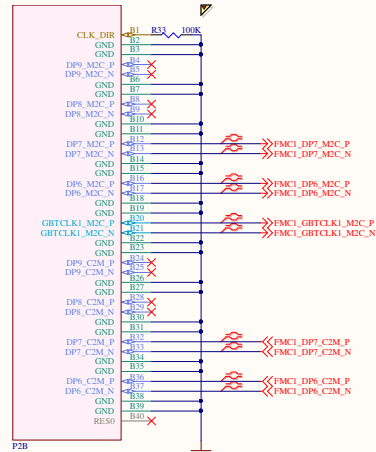
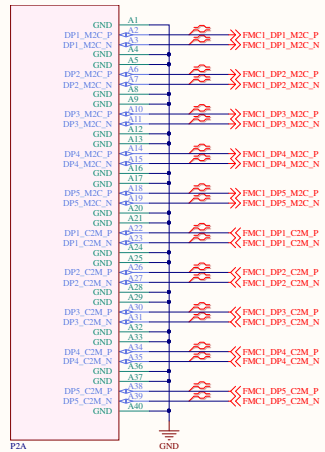
PARAMETER	CONN SIDE	HSFPX001		NILE		TRAVOS	
		MIN	MAX	MIN	MAX	MIN	MAX
MGTAVCC	A	0.97	1.08	0.97	1.03	2.8	6
MGTAVTT	A	1.17	1.23	1.17	1.23	1.75	1.85
MGTAUX	A	1.75	1.85	NA	NA	1.75	1.85
VADJ1	C & D	1.2	3.3	1.2	3.3	1.2	1.8
VADJ2	B	1.2	3.3	1.2	3.3	1.2	1.8
FMC_VIO_B_M2C_1	D	1.2	1.8	1.2	3.3	1.2	1.8
FMC_VIO_B_M2C_2	C	NA	NA	NA	NA	1.8	1.8

All the values are in Volt (V)

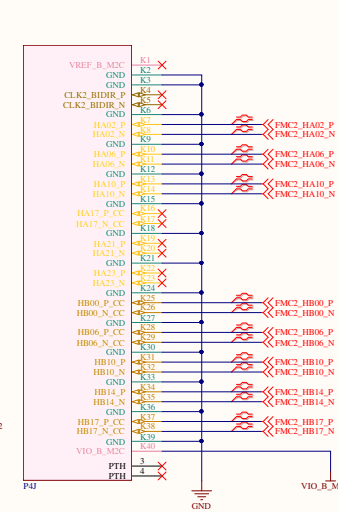
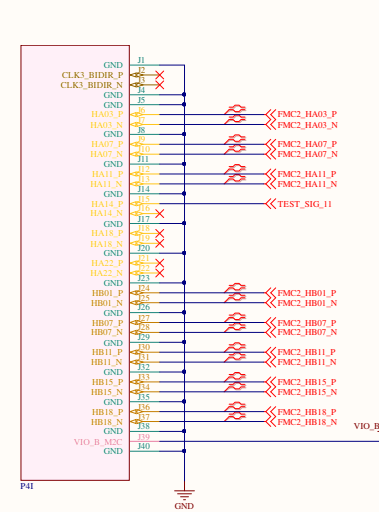
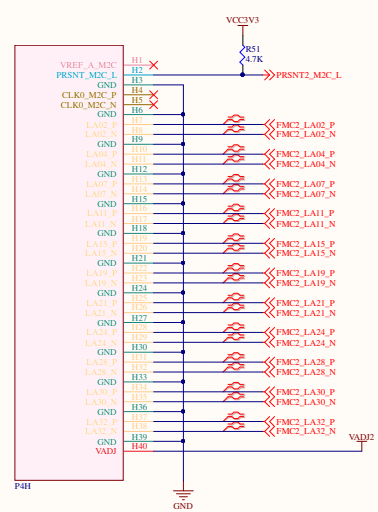
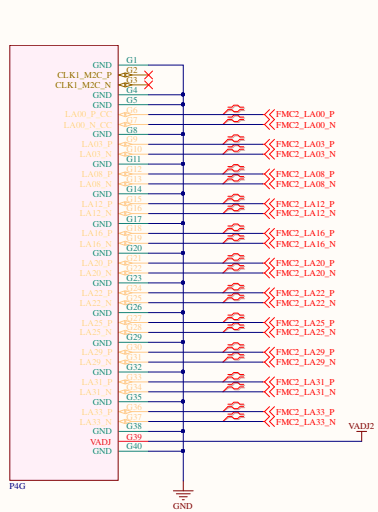
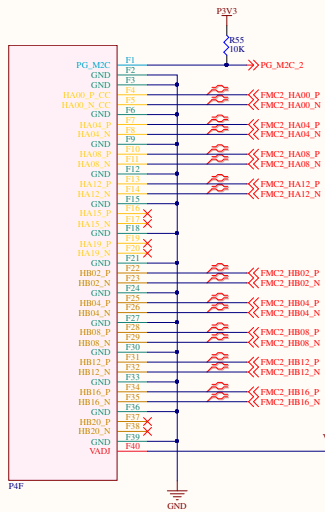
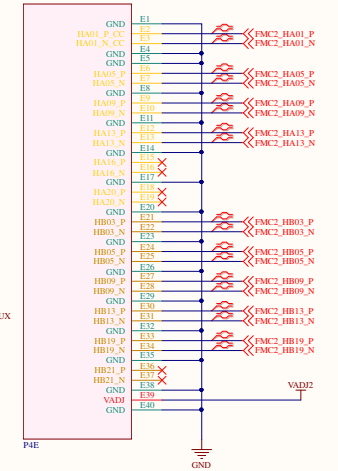
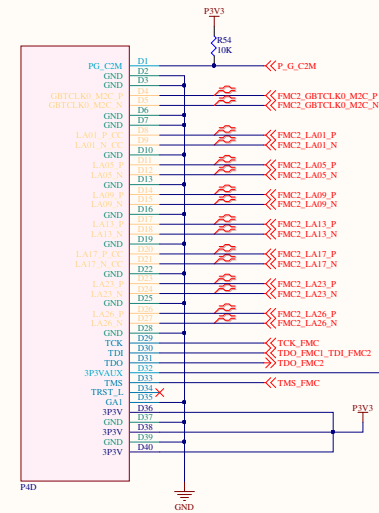
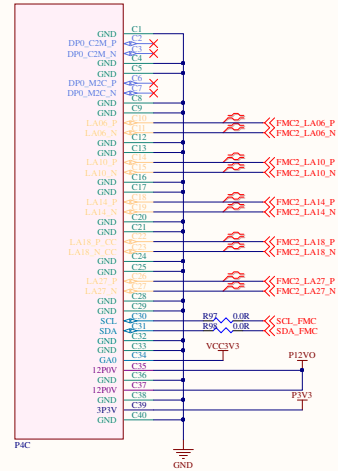
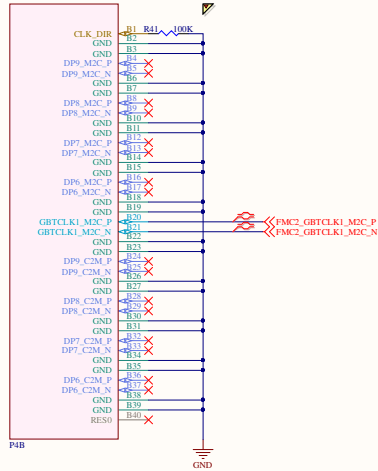
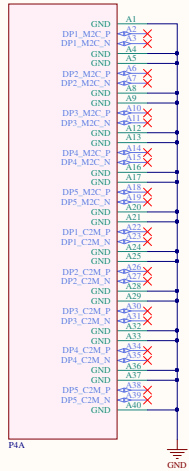
FPGA_GPIO_MODULE



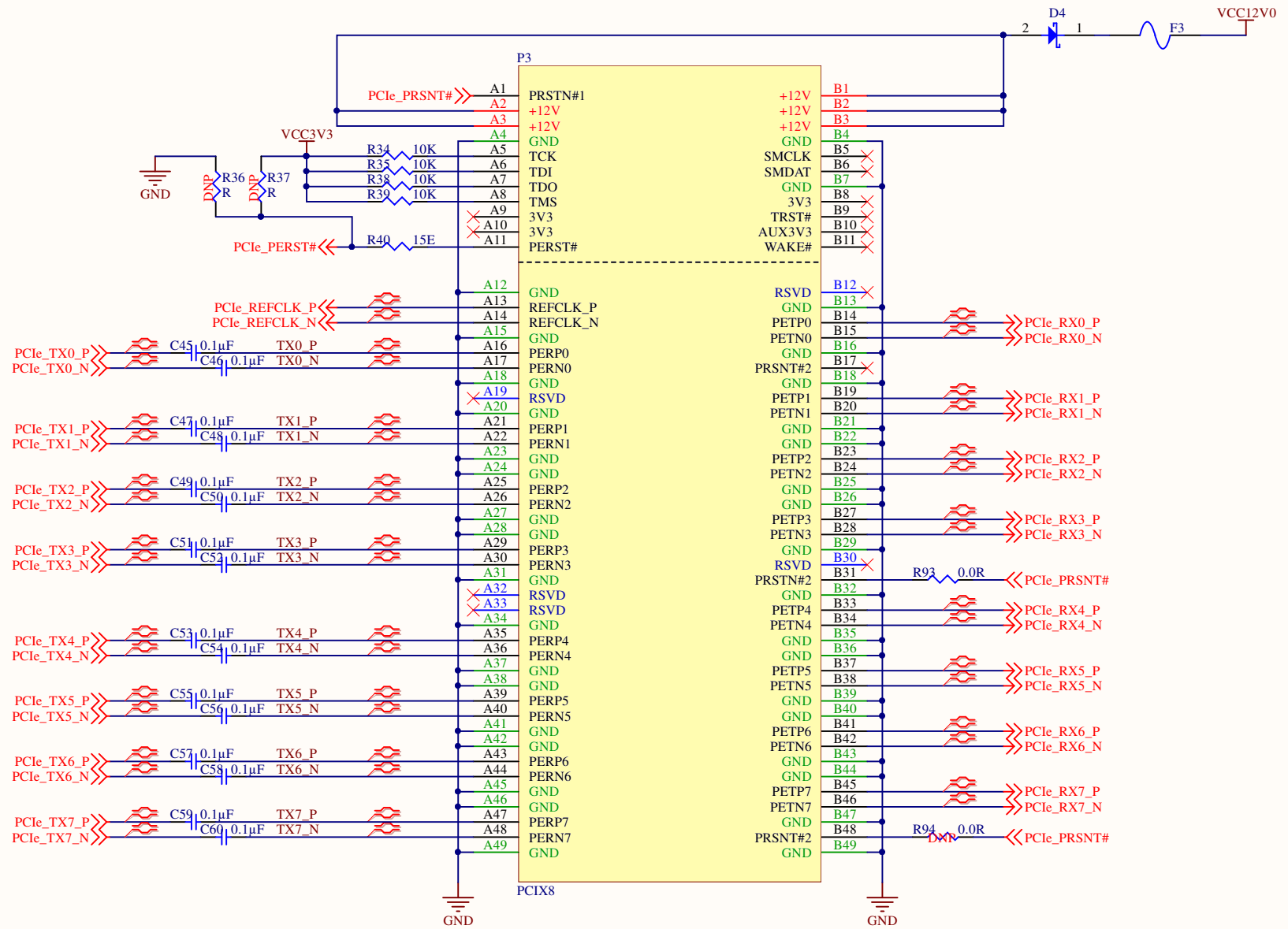
FMC_HPC_1 CONNECTOR




FMC_HPC_2 CONNECTOR

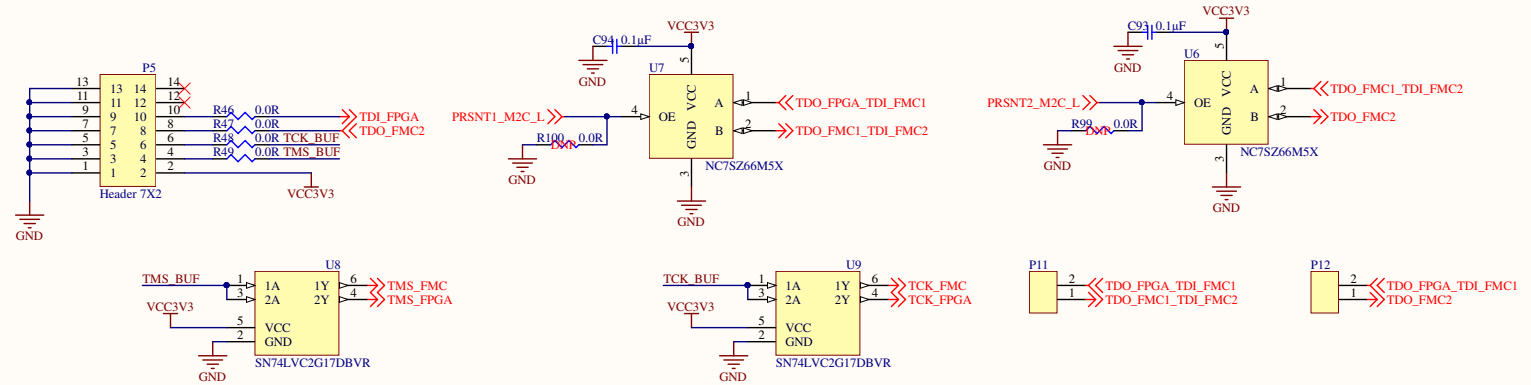


PCI X8

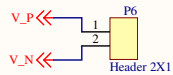


Title: PCIeX8		Revision: V 1.1	 Numato Systems Pvt Ltd
Size: A4	Project: HSFP_Carrier.PrjPcb		
Date: 29-11-2019	Time: 13:54:50	Sheet 5 of 8	
File: PCIx8.SchDoc			

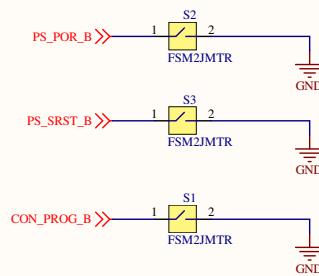
JTAG_CHAIN_CONFIG



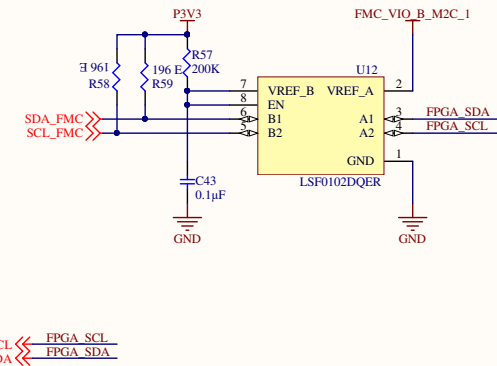
DIFFERENTIAL ANALOG INPUT



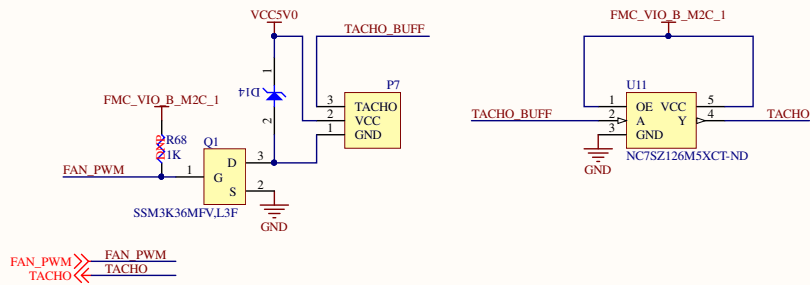
RESET CONFIG



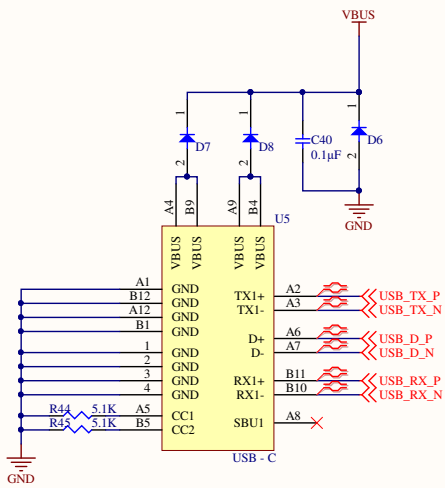
I2C CONFIG



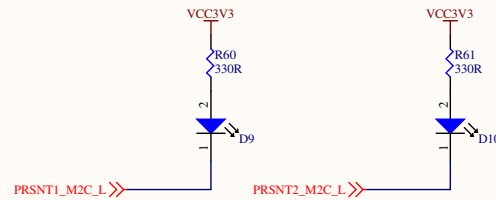
FAN_PWM



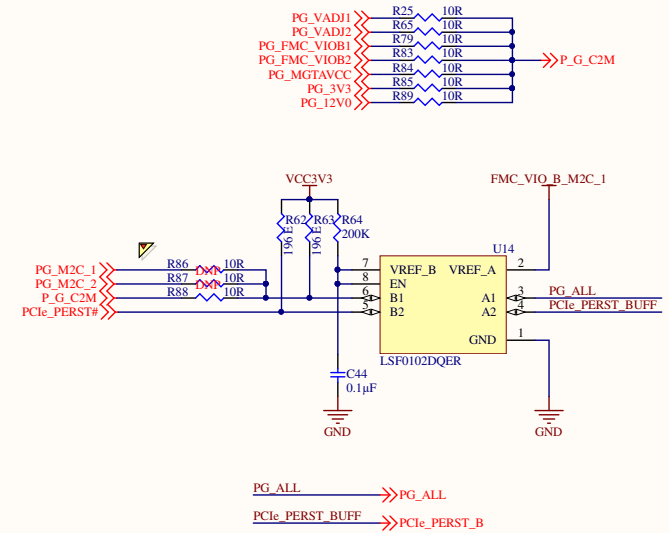
USB_C



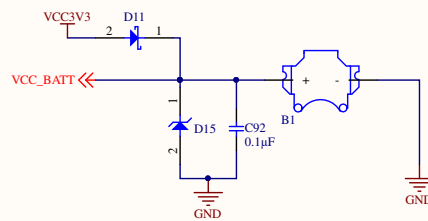
FMC PRSNT SIG



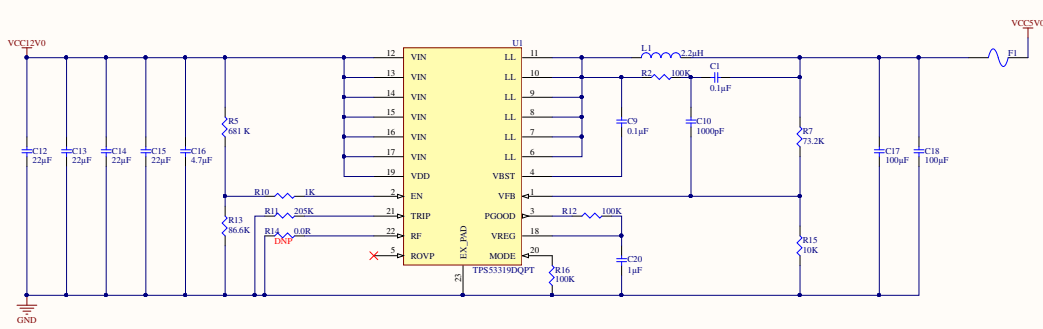
POWER_OK AND PCI PERST SIG



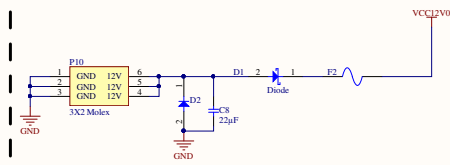
FPGA VCCBATT



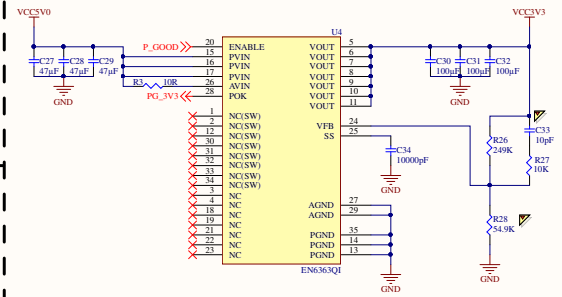
POWER VCC5V0



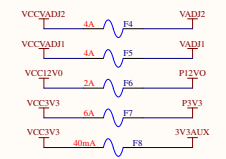
INPUT POWER 12V0



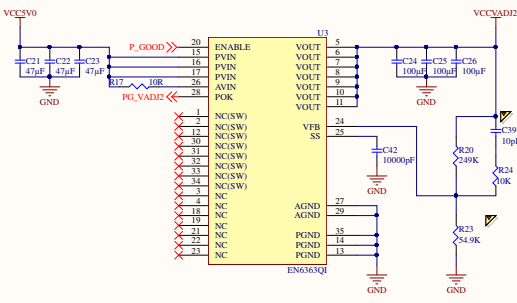
POWER VCC3V3



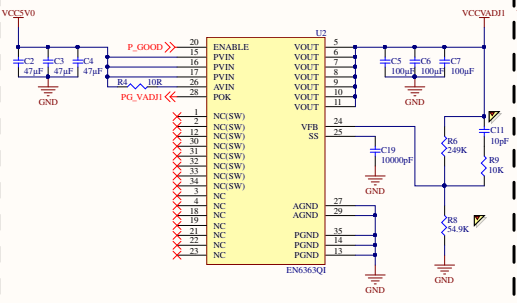
FMC_INPUT FUSE



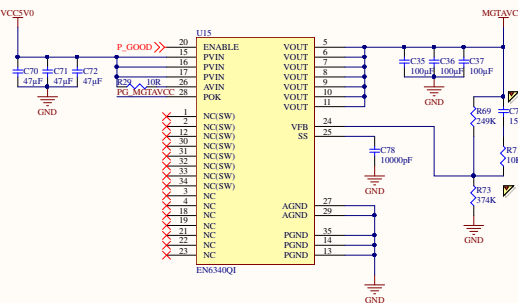
POWER VCCVADJ2



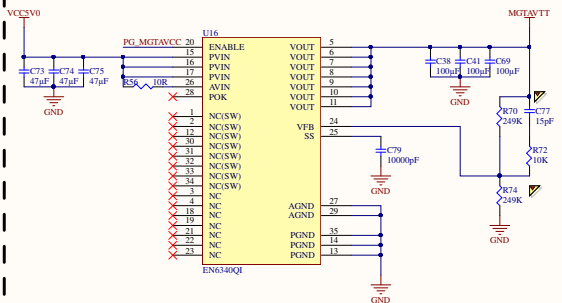
POWER VCCVADJ1



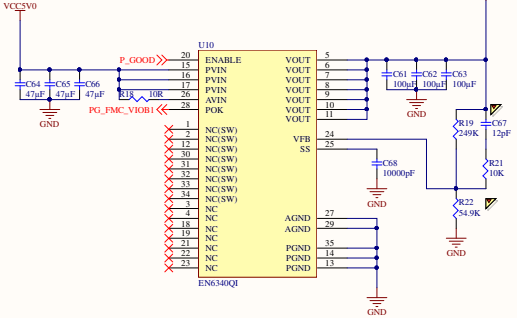
POWER MGTAVCC



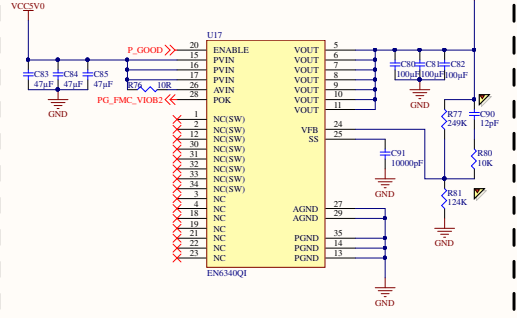
POWER MGTAVTT



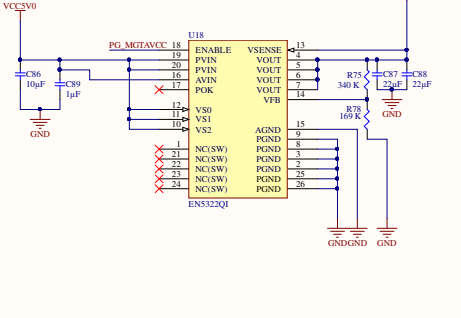
POWER FMC VIOB 1



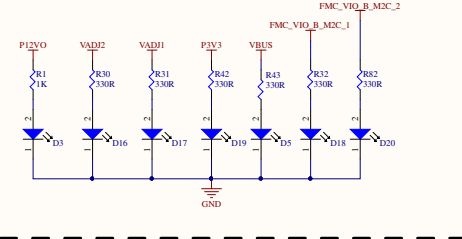
POWER FMC VIOB 2



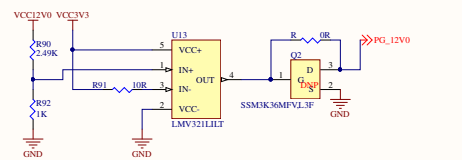
POWER MGTAVCCAUX



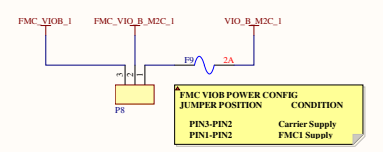
POWER LED



POWER GOOD 12V0



FMC VIOB 1 POWER CONFIG



FMC VIOB 2 POWER CONFIG

