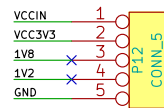
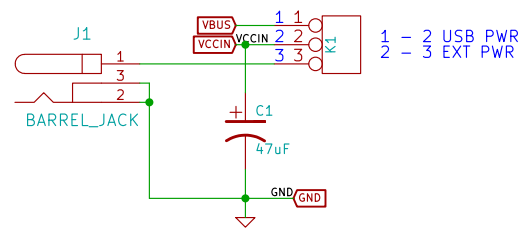
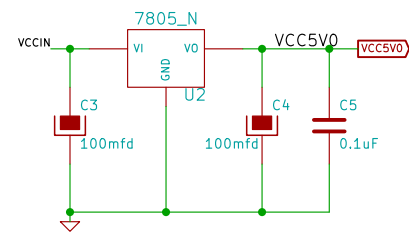
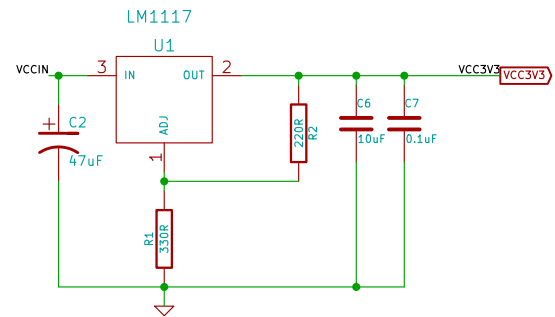
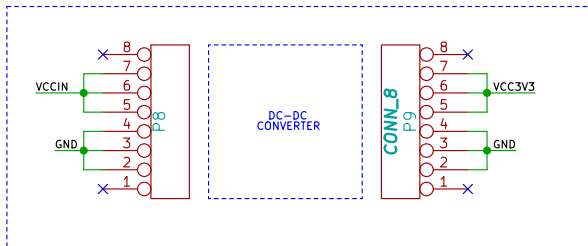


EXTERNAL POWER



DONOT POPULATE



License: CC BY-SA
<http://www.numato.com>
 Numato Lab

File: PowerSupply.sch
 Sheet: /POWERSUPPLY/

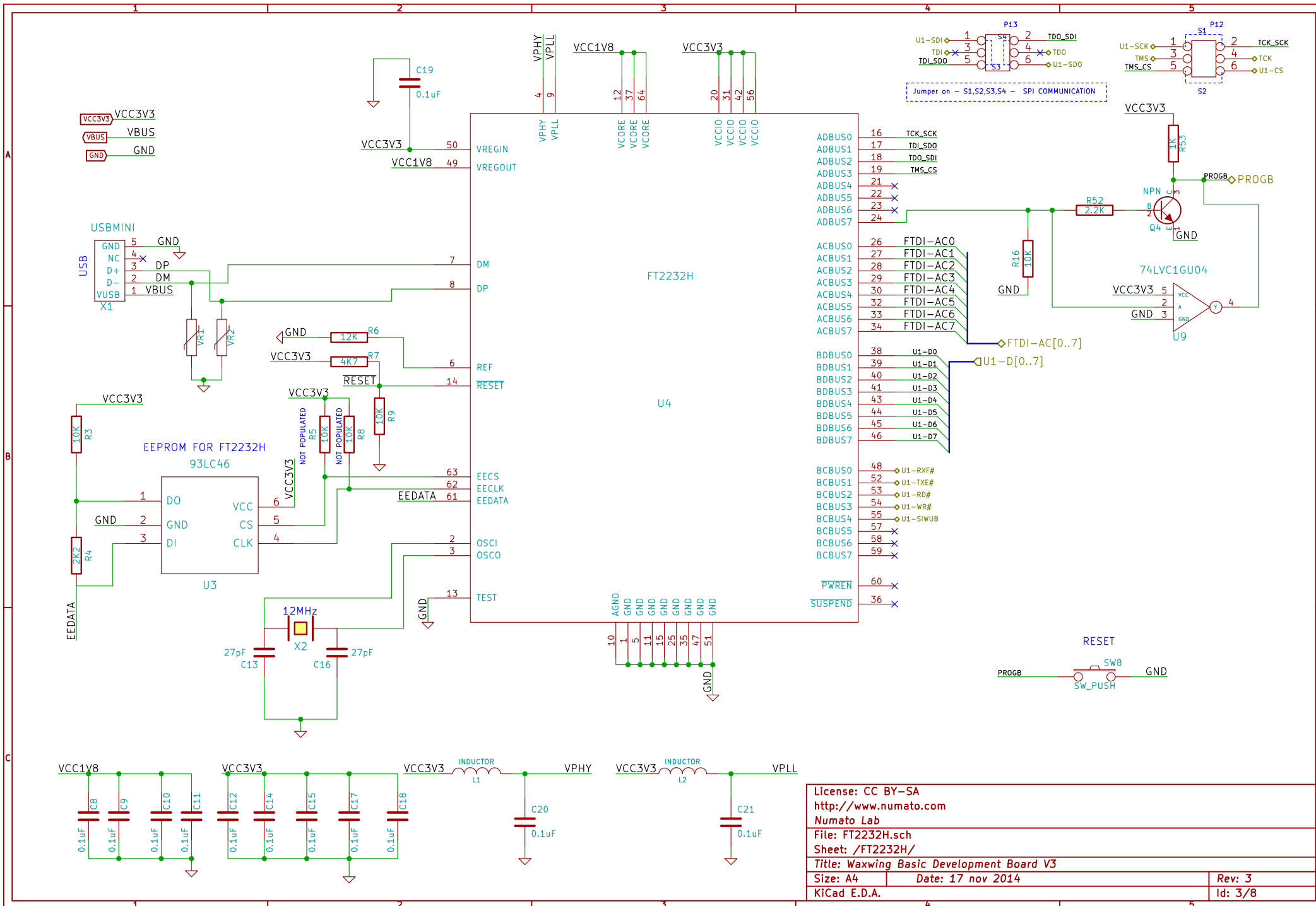
Title: Waxwing Basic Development Board V3

Size: A4 Date: 17 nov 2014

KiCad E.D.A.

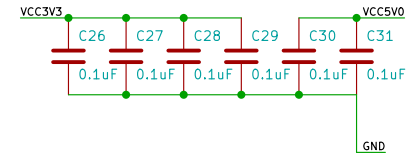
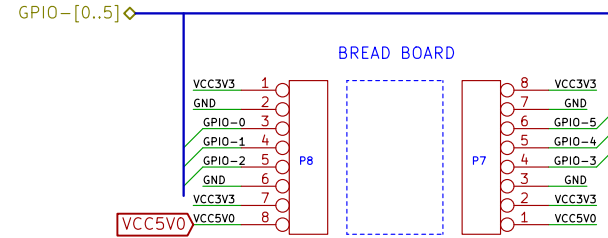
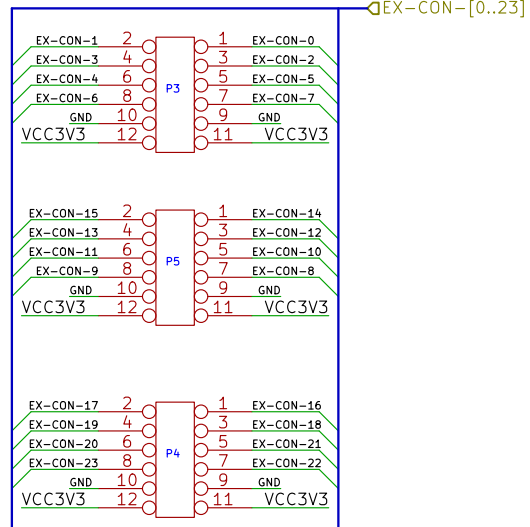
Rev: 3

Id: 2/8

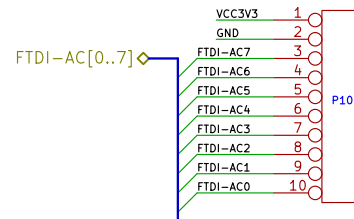


License: CC BY-SA
<http://www.numato.com>
 Numato Lab
 File: FT2232H.sch
 Sheet: /FT2232H/
 Title: Waxwing Basic Development Board V3
 Size: A4 Date: 17 nov 2014 Rev: 3
 KiCad E.D.A. Id: 3/8

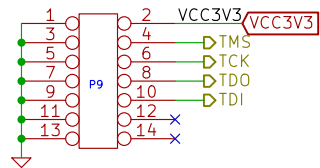
EXPANSION CONNECTORS



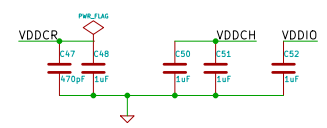
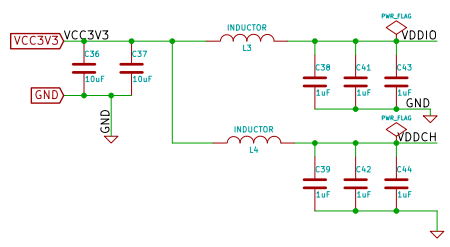
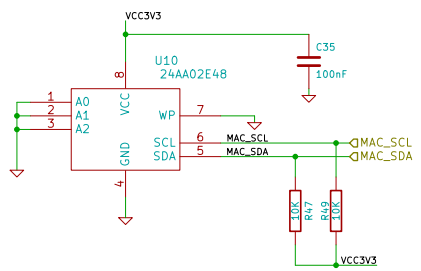
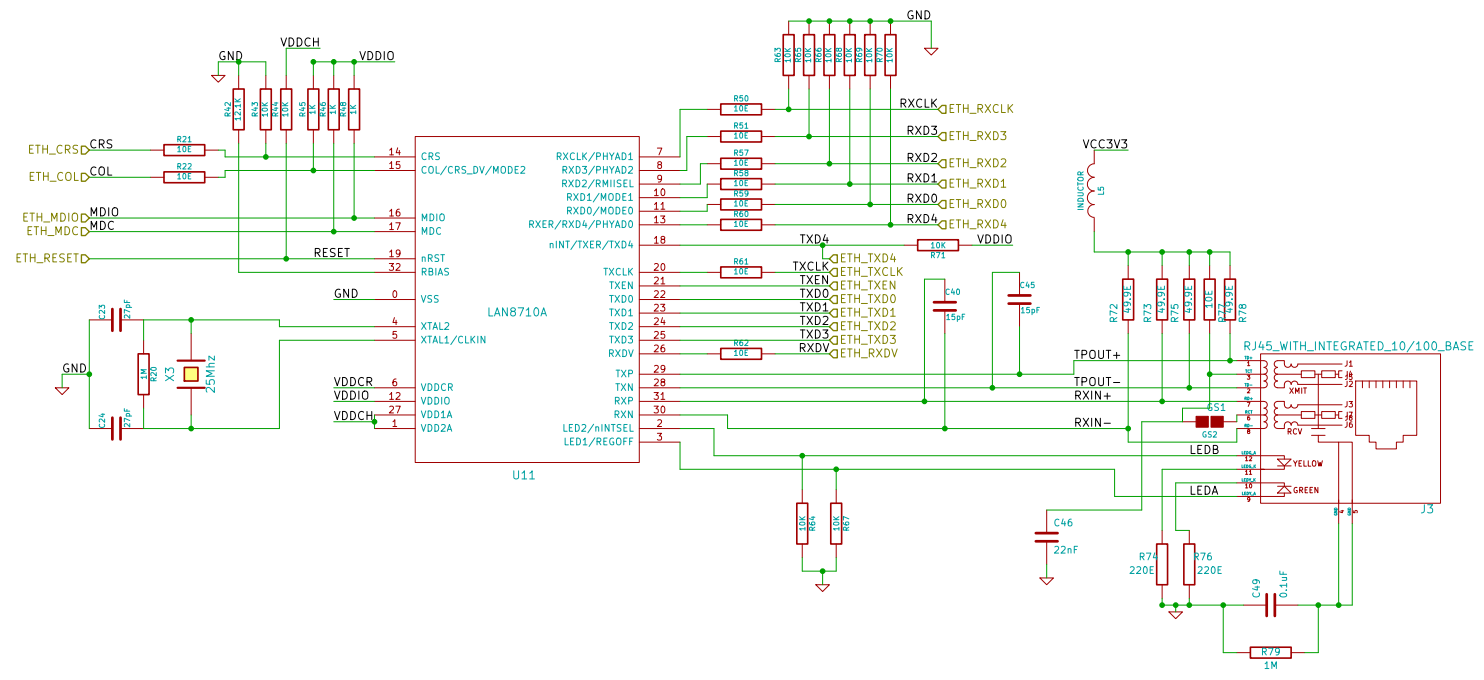
FTDI ACBUS

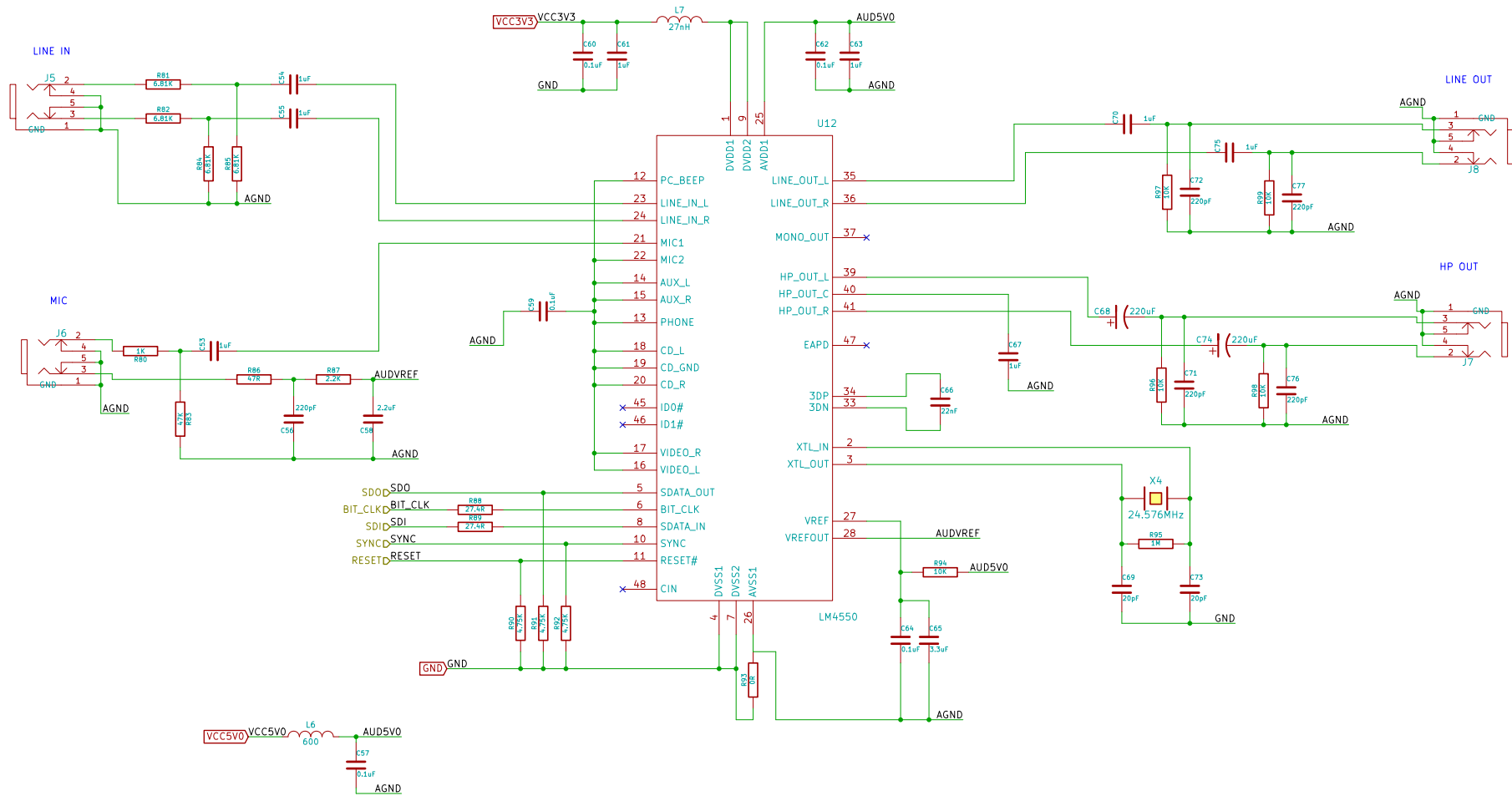


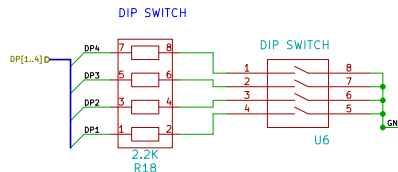
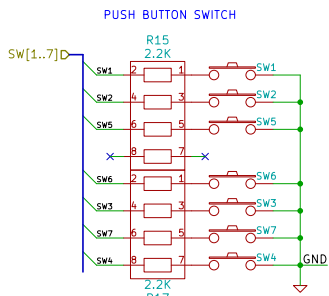
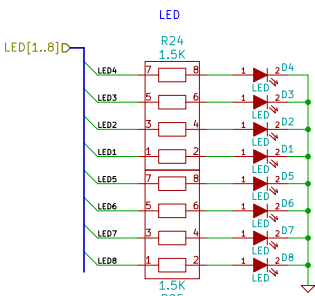
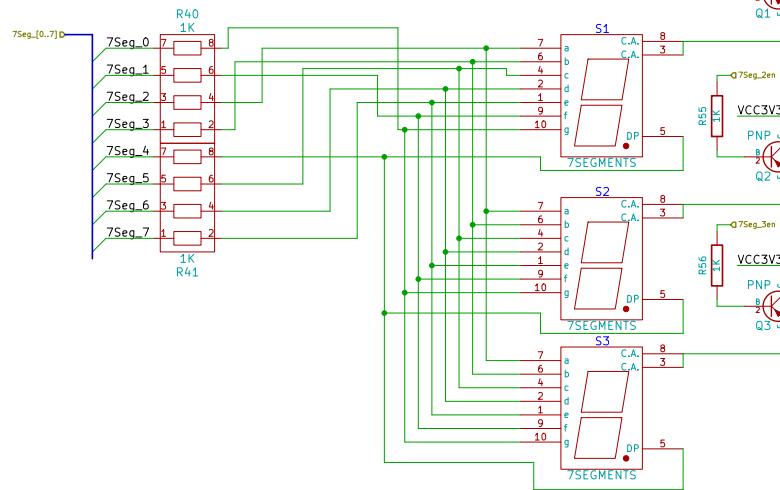
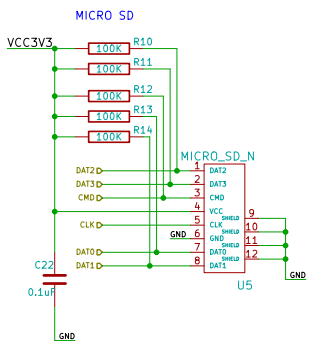
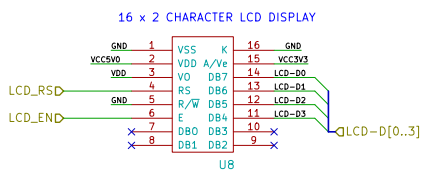
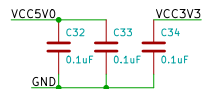
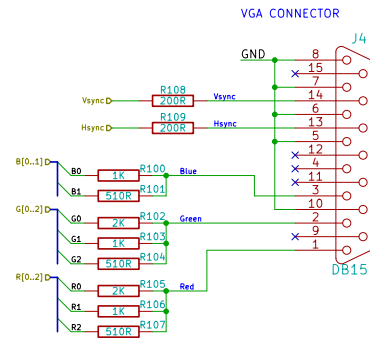
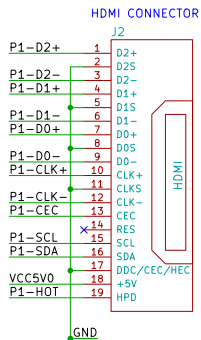
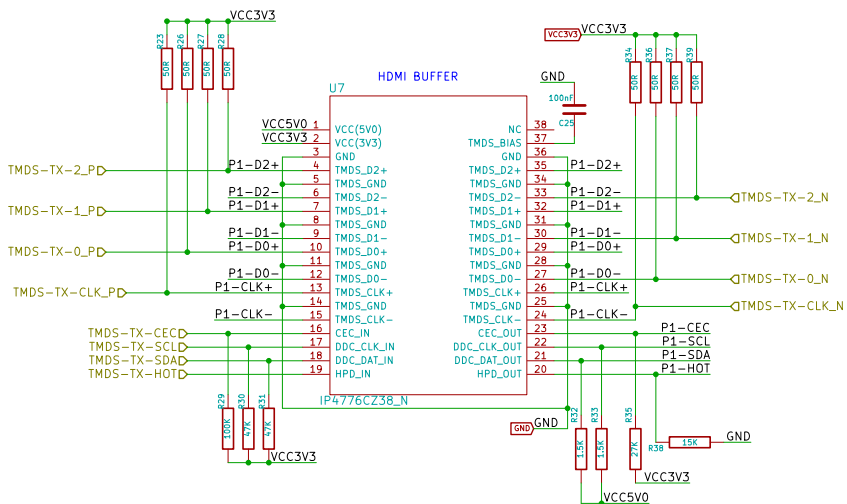
JTAG

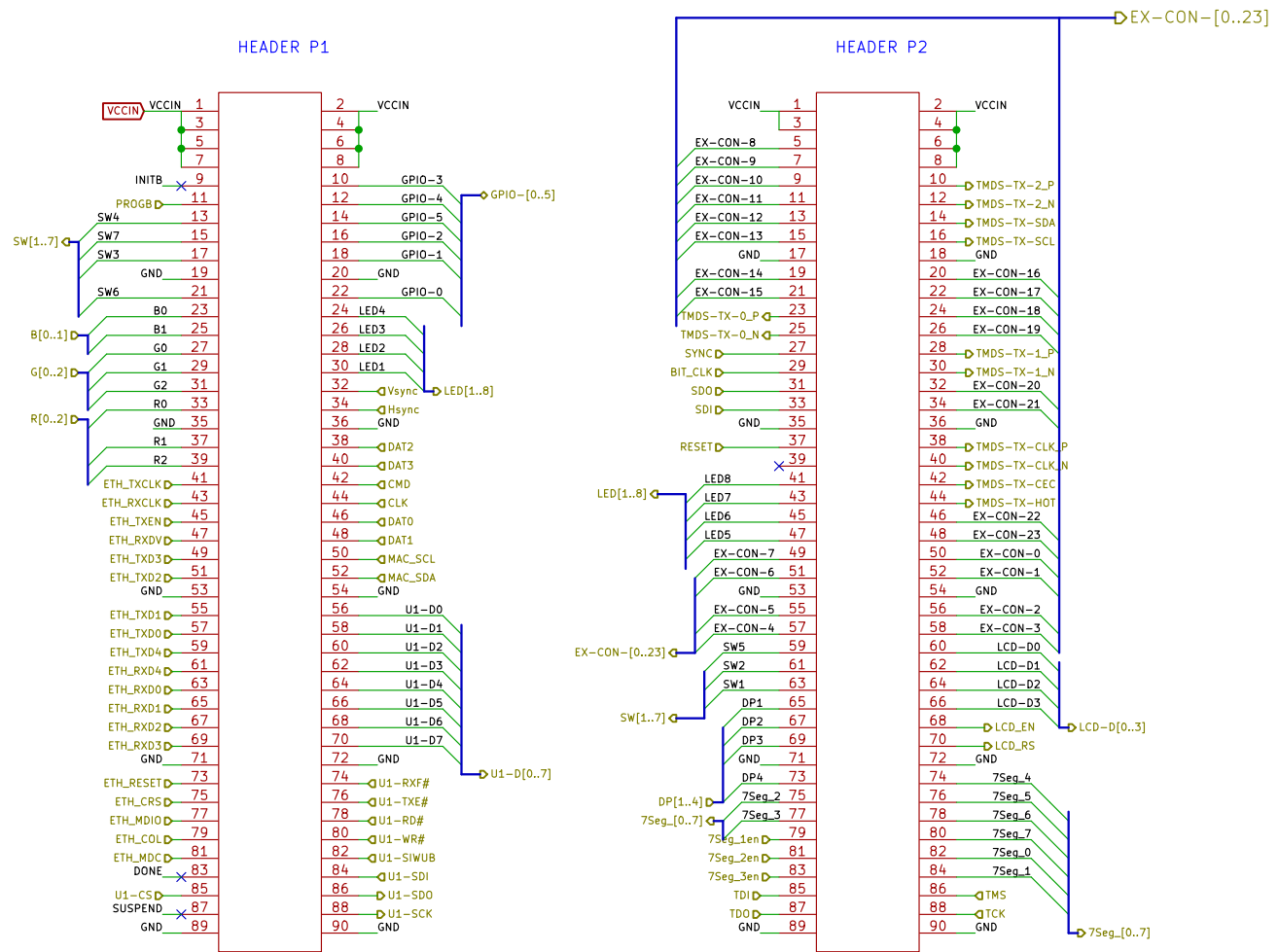


License: CC BY-SA		
http://www.numato.com		
Numato Lab		
File: ExpansionConnectors.sch		
Sheet: /EXPANSION CONNECTORS/		
Title: Waxwing Basic Development Board V3		
Size: A4	Date: 17 nov 2014	Rev: 3
KiCad E.D.A.		Id: 4/8









License: CC BY-SA
<http://www.numato.com>
 Numato Lab
 File: HiroseDF40Connector.sch
 Sheet: /HIROSE-DF40 CONNECTOR/
 Title: Waxwing Basic Development Board V3

Size: A4	Date: 17 nov 2014	Rev: 3
KiCad E.D.A.		Id: 8/8