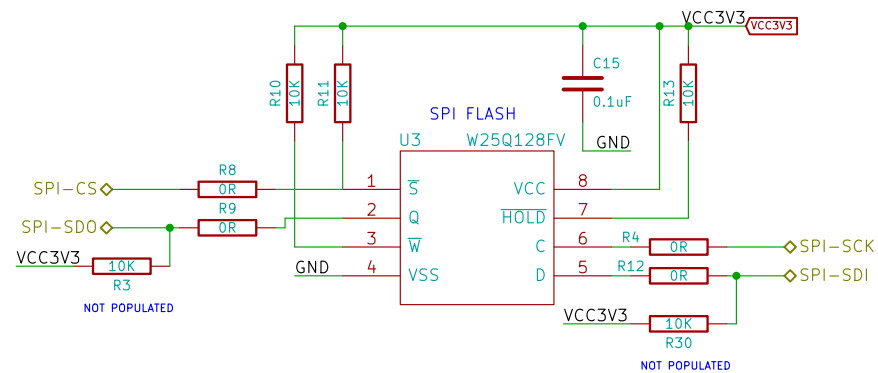
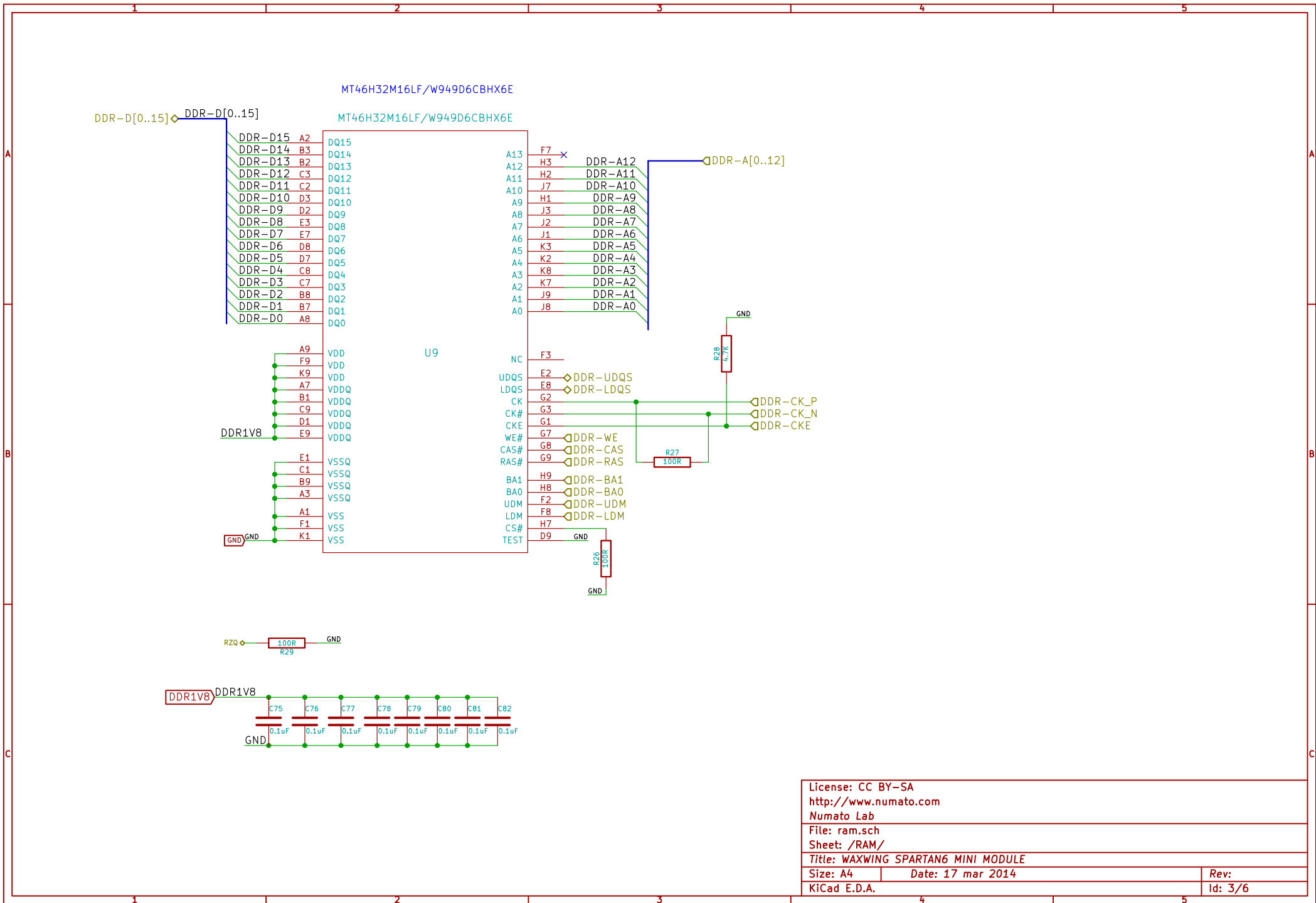
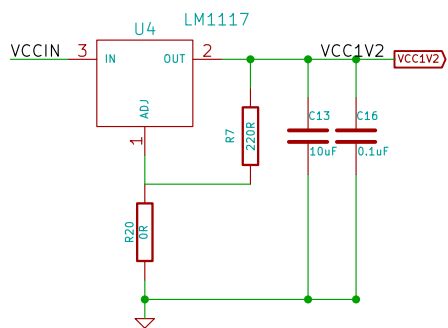
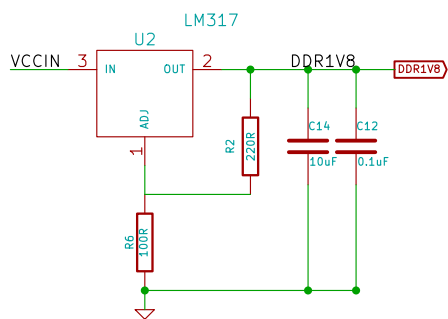
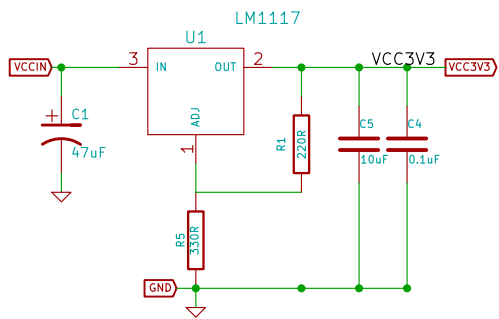
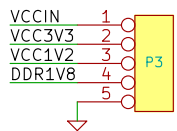


License: CC BY-SA		
http://www.numato.com		
Numato Lab		
File: waxwing.sch		
Sheet: /		
Title: WAXWING SPARTAN6 MINI MODULE		
Size: A4	Date: 17 mar 2014	Rev:
KiCad E.D.A.		Id: 1/6



License: CC BY-SA	
http://www.numato.com	
Numato Lab	
File: spi.sch	
Sheet: /SPI/	
Title: WAXWING SPARTAN6 MINI MODULE	
Size: A4	Date: 17 mar 2014
KiCad E.D.A.	Rev: Id: 2/6

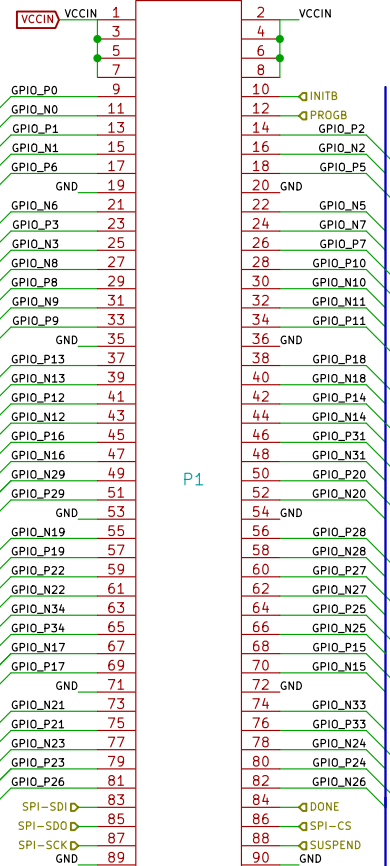




License: CC BY-SA	
http://www.numato.com	
Numato Lab	
File: power.sch	
Sheet: /POWER/	
Title: WAXWING SPARTAN6 MINI MODULE	
Size: A4	Date: 17 mar 2014
KiCad E.D.A.	Rev: Id: 4/6

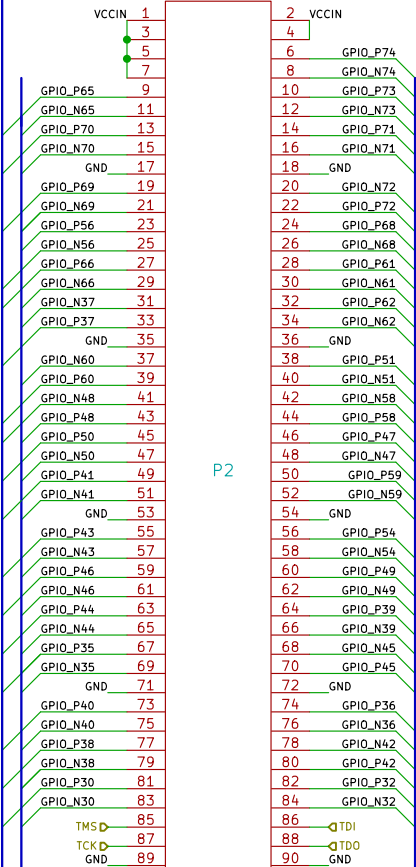
GPIO_P[0..74]

HEADER P1



P1

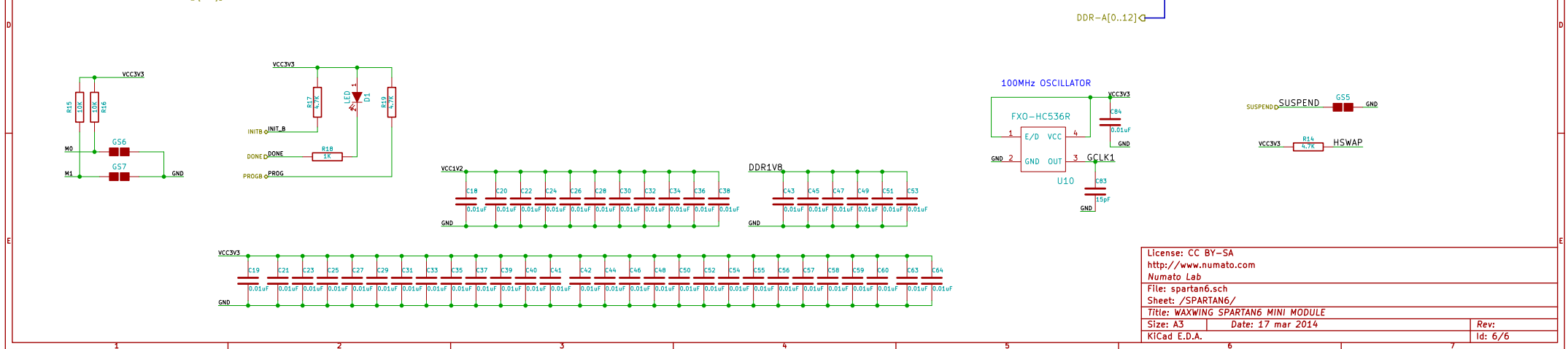
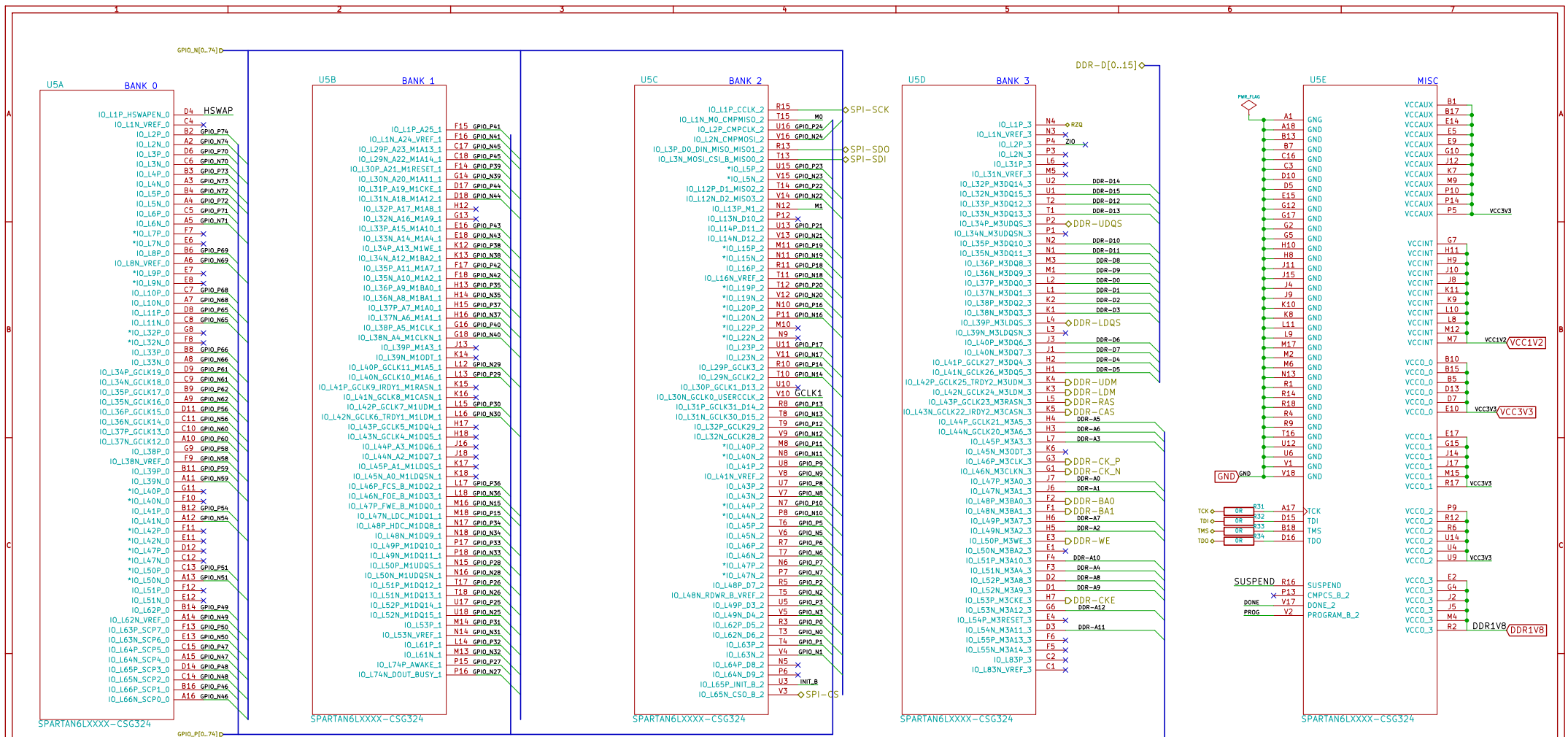
HEADER P2



P2

GPIO_N[0..74]

License: CC BY-SA		
http://www.numato.com		
Numato Lab		
File: gpios.sch		
Sheet: /GPiOS/		
Title: WAXWING SPARTAN6 MINI MODULE		
Size: A4	Date: 17 mar 2014	Rev:
KiCad E.D.A.		Id: 5/6



License: CC BY-SA
<http://www.numato.com>
 Numato Lab
 File: spartan6.sch
 Sheet: /SPARTAN6/
 Title: WAXWING SPARTAN6 MINI MODULE
 Size: A3 Date: 17 mar 2014 Rev:
 KiCad E.D.A. Id: 6/6