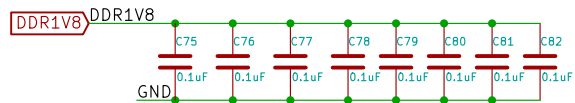
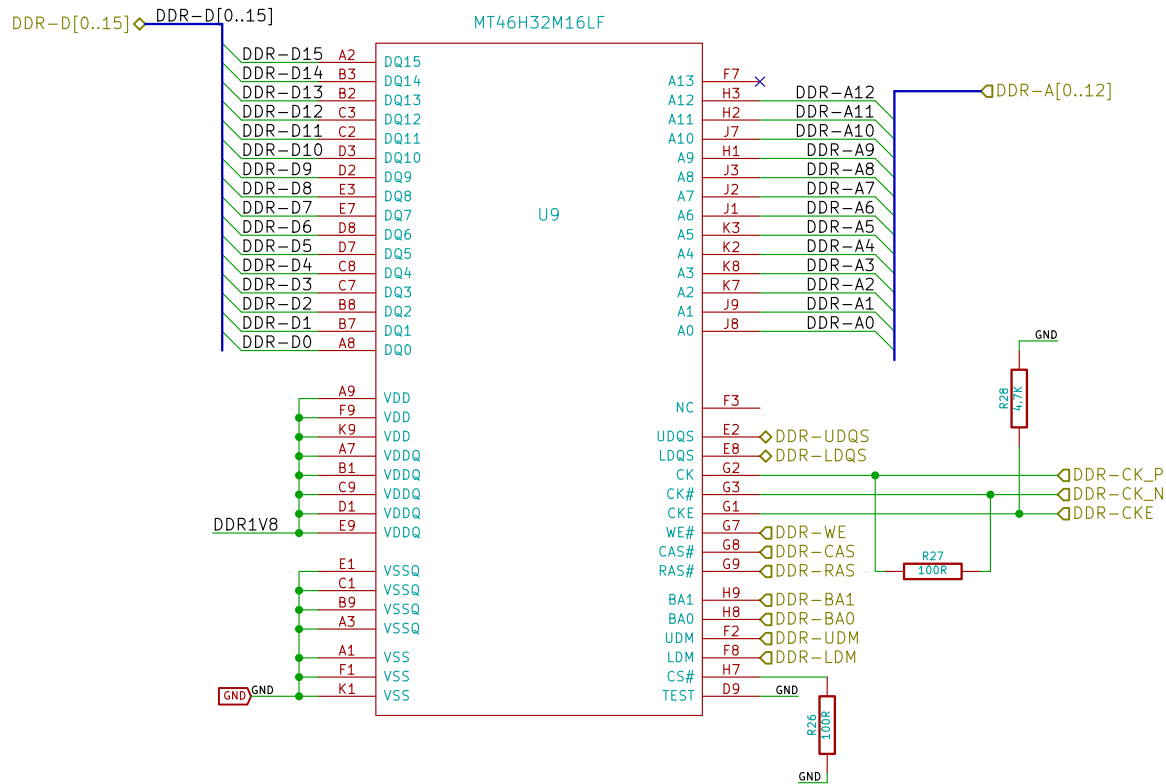
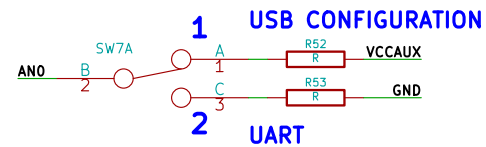
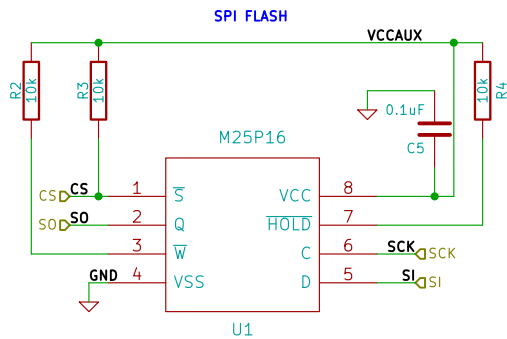
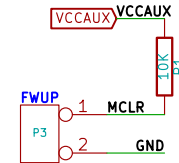
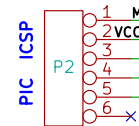
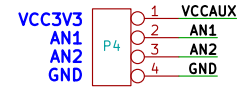
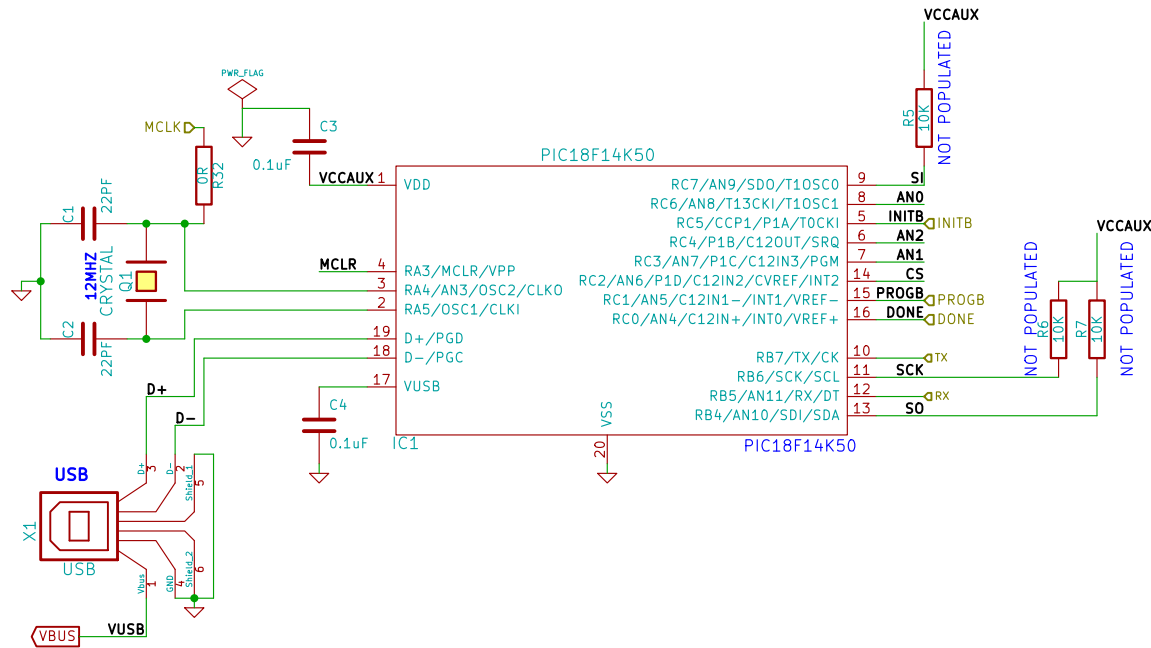


SPARTAN XC6SLX9 CSG324

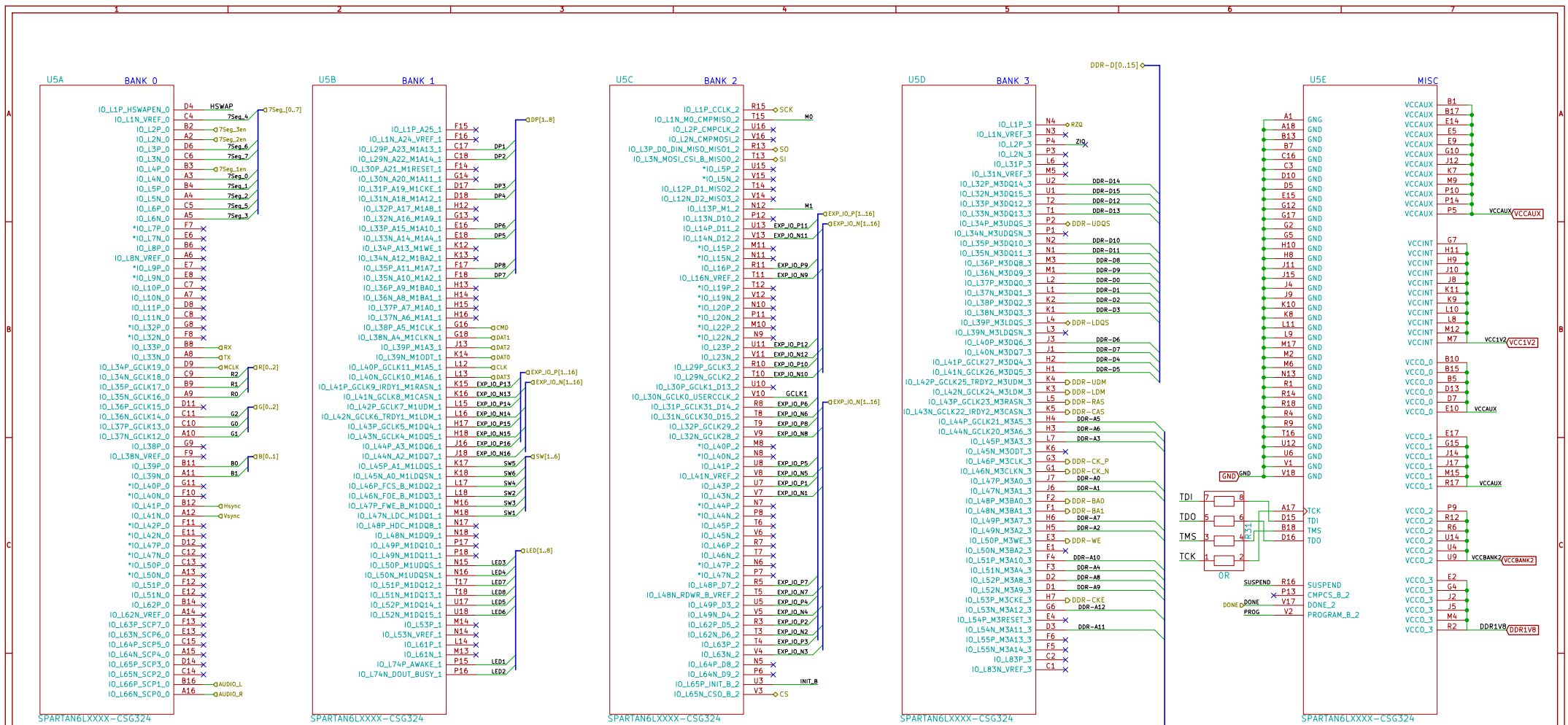
License: CC BY-SA		
http://www.numato.com		
Numato Lab		
File: MimasV2.sch		
Sheet: /		
Title: MIMAS V2		
Size: A4	Date: 23 may 2016	Rev: V2
KiCad E.D.A.		Id: 1/7



License: CC BY-SA		
http://www.numato.com		
Numato Lab		
File: lpddr.sch		
Sheet: /LPDDR/		
Title: MIMAS V2		
Size: A4	Date: 23 may 2016	Rev:
KiCad E.D.A.		Id: 2/7



License: CC BY-SA		
http://www.numato.com		
Numato Lab		
File: Pic18f14k50.sch		
Sheet: /PIC18F14K50/		
Title: MIMAS V2		
Size: A4	Date: 23 may 2016	Rev:
KiCad E.D.A.		Id: 3/7



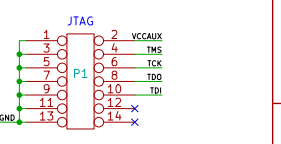
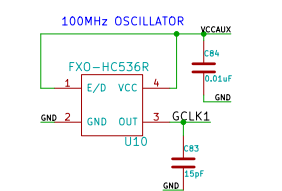
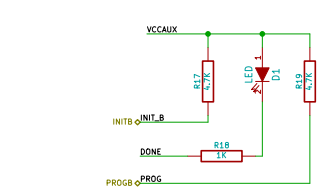
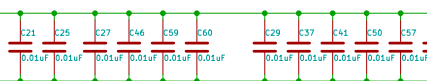
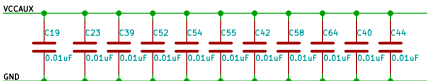
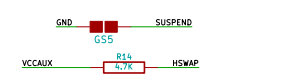
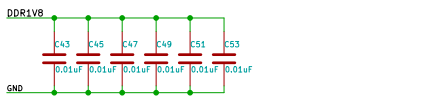
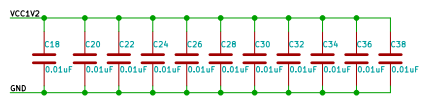
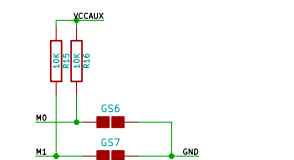
SPARTAN6LXXXX-CSG324

SPARTAN6LXXXX-CSG324

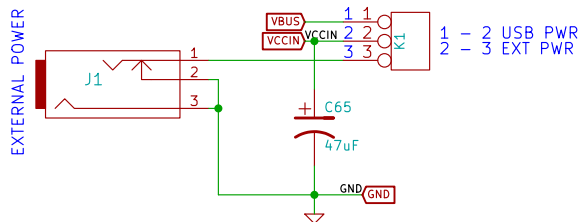
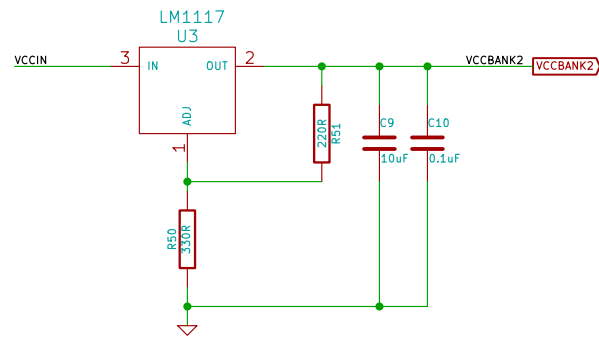
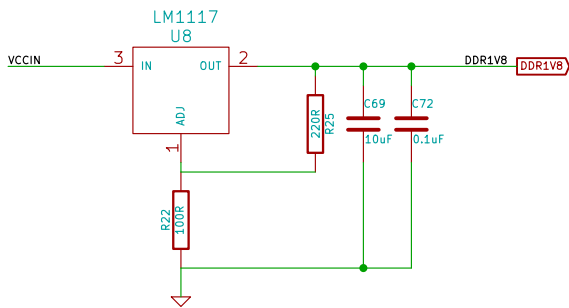
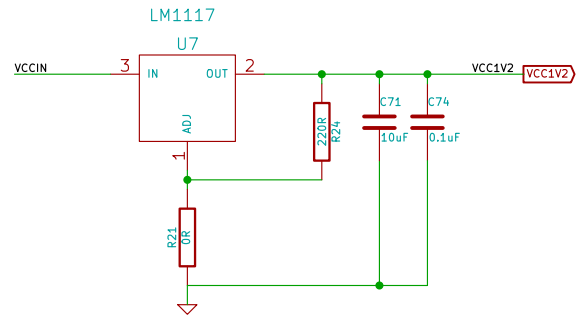
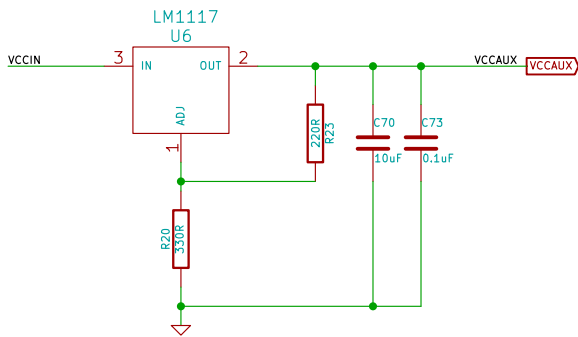
SPARTAN6LXXXX-CSG324

SPARTAN6LXXXX-CSG324

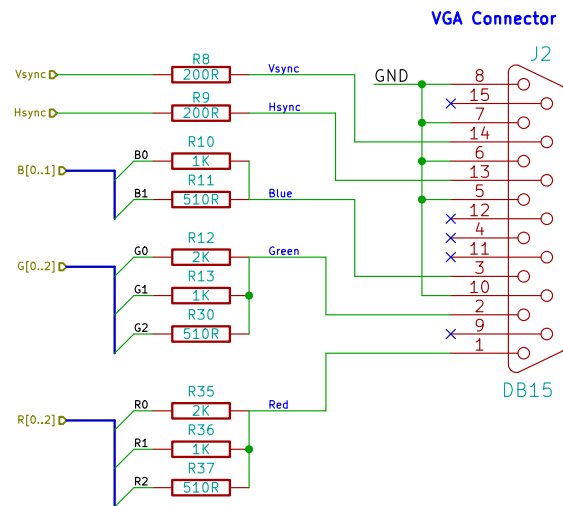
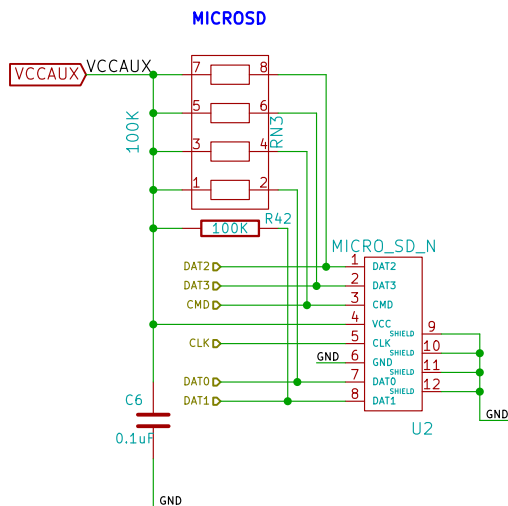
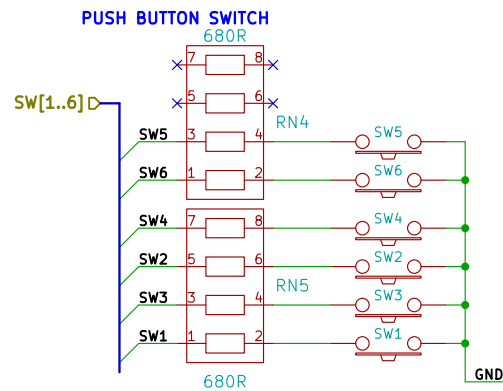
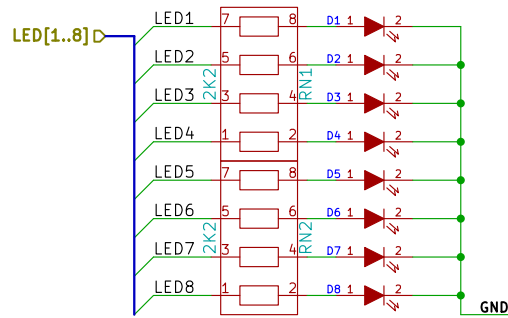
SPARTAN6LXXXX-CSG324



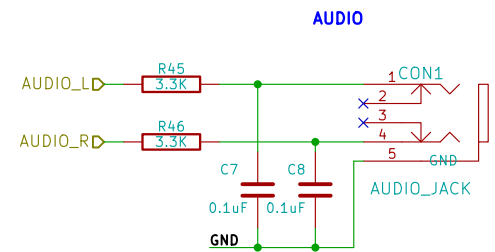
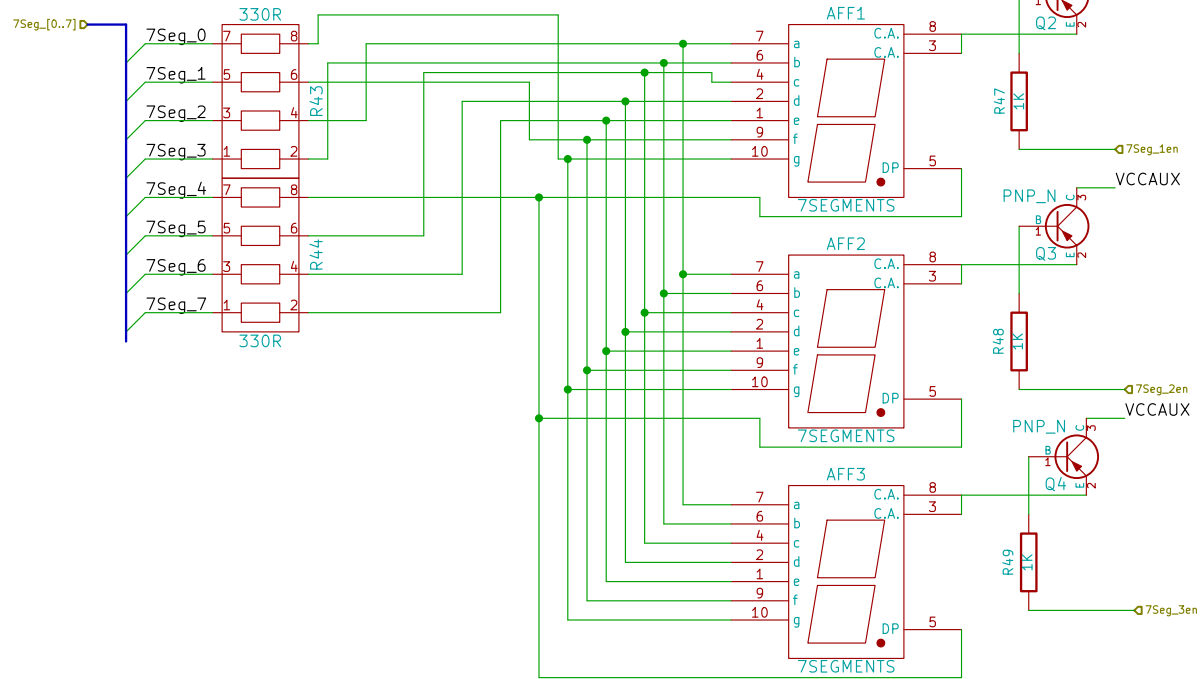
License: CC BY-SA
<http://www.numato.com>
 Numato Lab
 File: Spartan6.sch
 Sheet: /SPARTAN6LXXXX-CSG324/
 Title: MIMAS V2
 Size: A3 Date: 23 may 2016 Rev:
 KiCad E.D.A. Id: 4/7



License: CC BY-SA		http://www.numato.com	
Numato Lab		File: Power.sch	
Sheet: /POWER/		Title: MIMAS V2	
Size: A4	Date: 23 may 2016	Rev:	
KiCad E.D.A.		Id: 5/7	

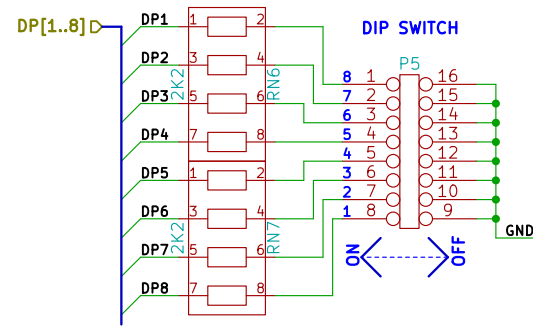
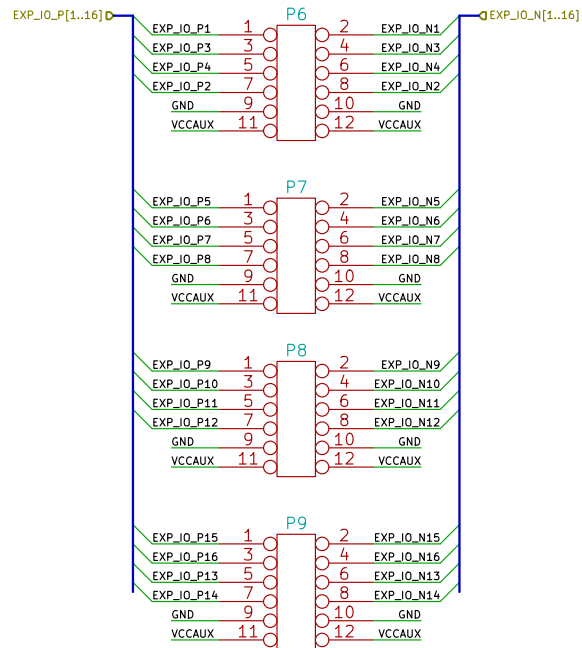


SEVEN SEGMENT DISPLAY



License: CC BY-SA		
http://www.numato.com		
Numato Lab		
File: ExpansionModules.sch		
Sheet: /Expansion Modules/		
Title: MIMAS V2		
Size: A4	Date: 23 may 2016	Rev:
KiCad E.D.A.		Id: 6/7

VCCAUX VCCAUX



License: CC BY-SA		
http://www.numato.com		
Numato Lab		
File: ExpansionConnectors.sch		
Sheet: /Expansion Connectors/		
Title: MIMAS V2		
Size: A4	Date: 23 may 2016	Rev:
KiCad E.D.A.		Id: 7/7