

License : CC BY-SA
<http://www.numato.com>
 Numato Lab

File: PowerSupply.sch
 Sheet: /PowerSupply/

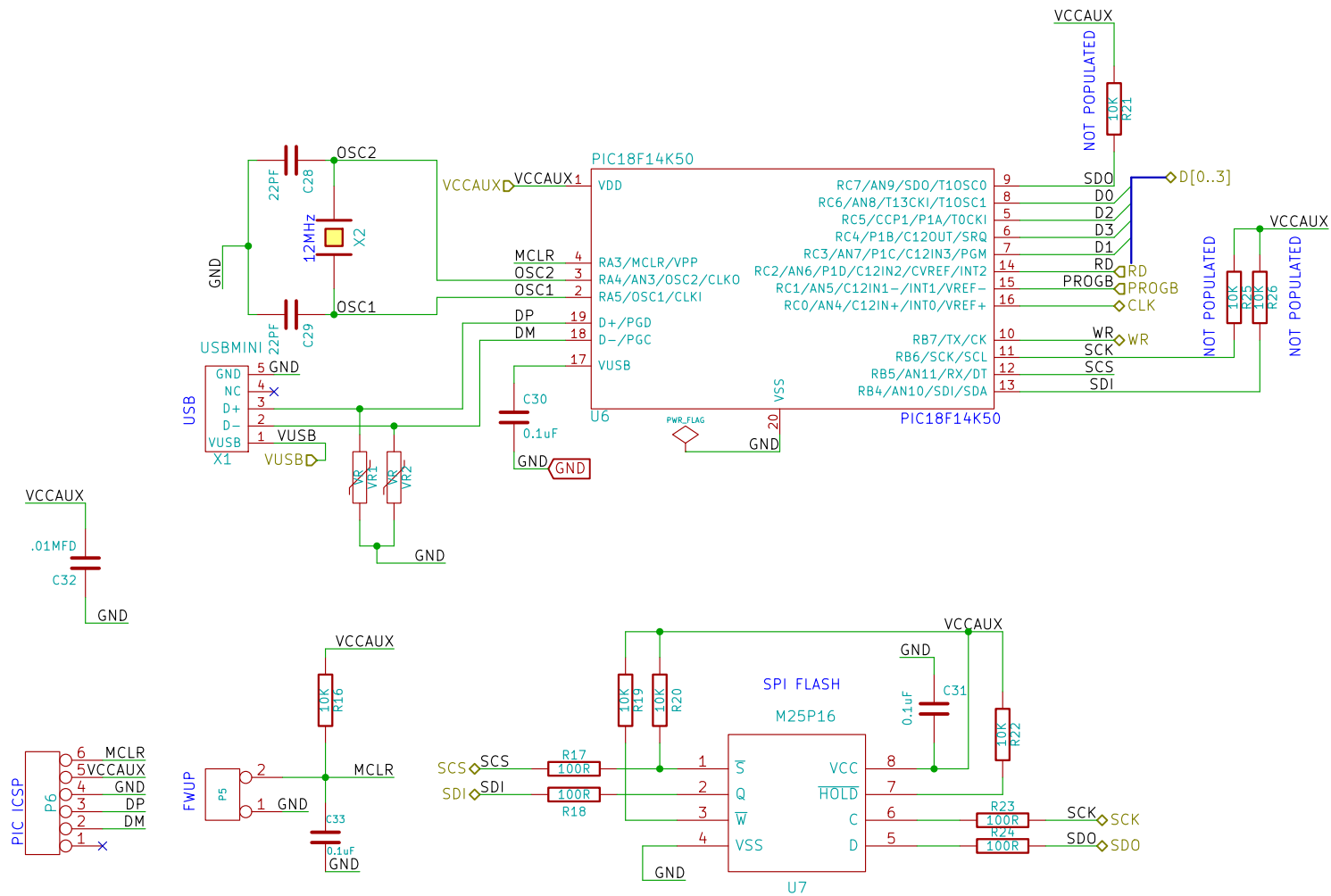
Title: MIMAS SPARTAN 6 FPGA MODULE

Size: A4 Date: 3 dec 2013

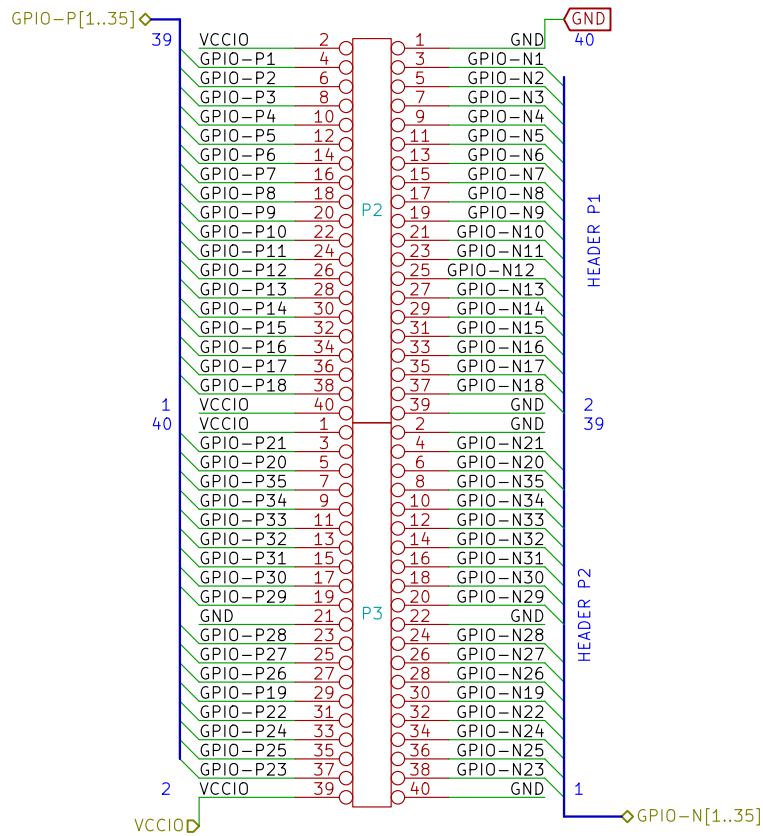
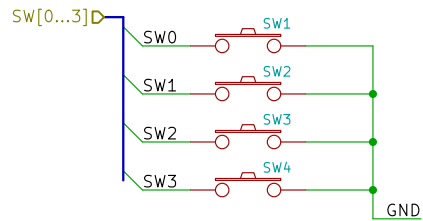
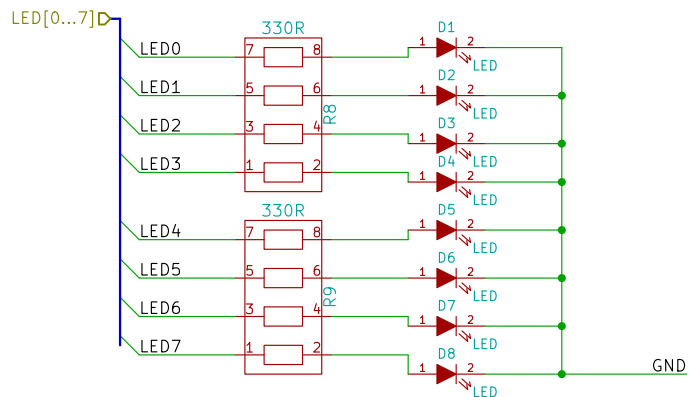
KiCad E.D.A.

Rev:

Id: 2/5



License : CC BY-SA	
http://www.numato.com	
Numato Lab	
File: PIC18F14K50.sch	
Sheet: /PIC18F14K50/	
Title: MIMAS SPARTAN 6 FPGA MODULE	
Size: A4	Date: 3 dec 2013
KiCad E.D.A.	Rev: Id: 3/5



License : CC BY-SA		
http://www.numato.com		
Numato Lab		
File: Gpios.sch		
Sheet: /Gpios/		
Title: MIMAS SPARTAN 6 FPGA MODULE		
Size: A4	Date: 3 dec 2013	Rev:
KiCad E.D.A.		Id: 4/5

