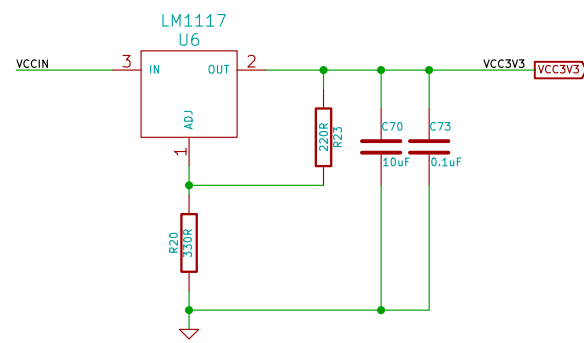
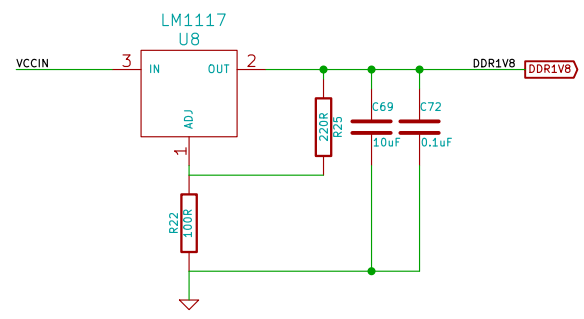
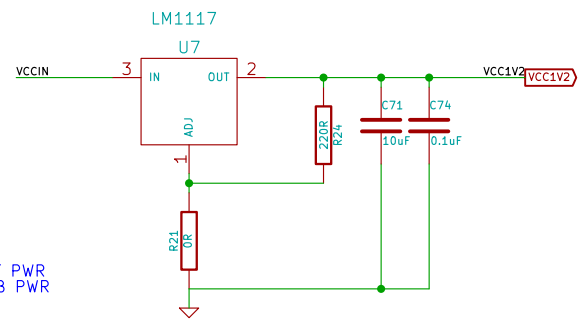
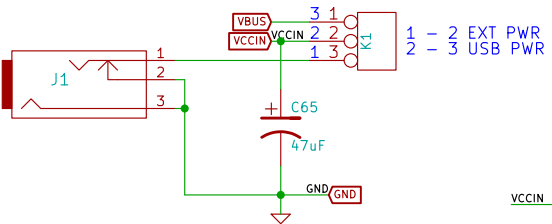


License: CC BY-SA		
<a href="http://www.numato.com">http://www.numato.com</a>		
Numato Lab		
File: saturn.sch		
Sheet: /		
Title: SATURN SPARTAN6 FPGA MODULE		
Size: A4	Date: 20 may 2014	Rev:
KiCad E.D.A.		Id: 1/6

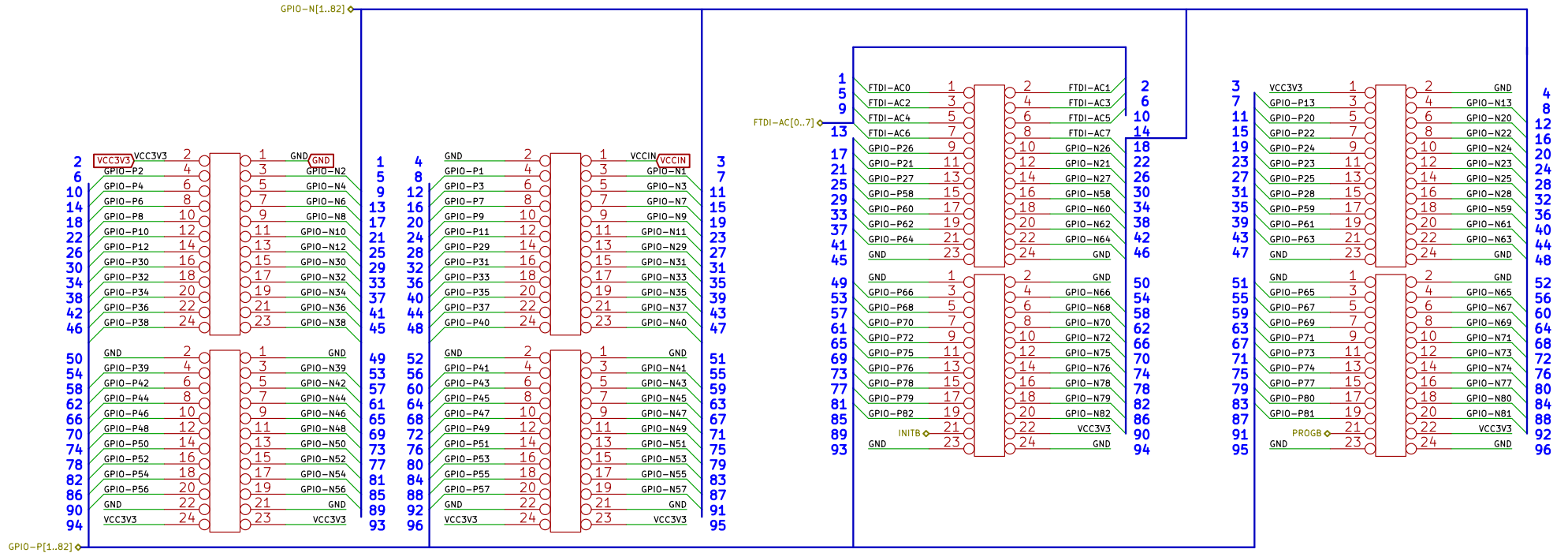
EXTERNAL POWER

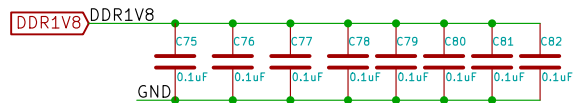
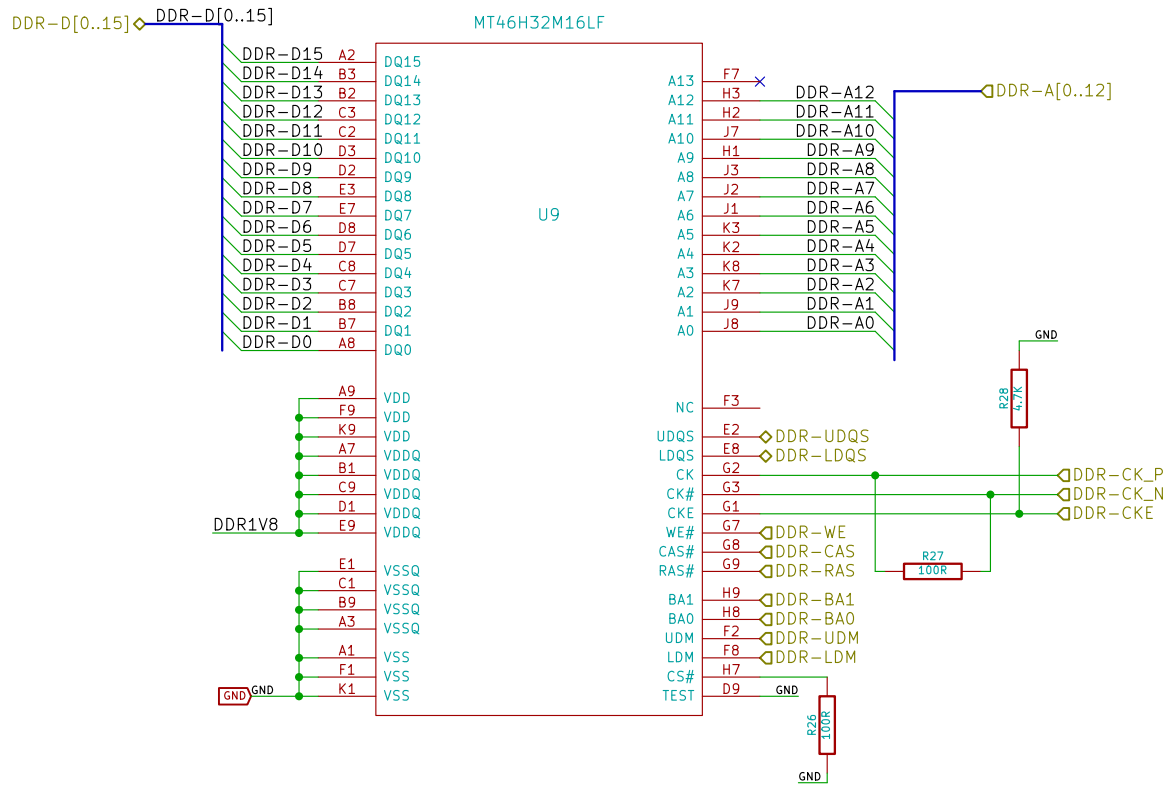


License: CC BY-SA	
<a href="http://www.numato.com">http://www.numato.com</a>	
Numato Lab	
File: power.sch	
Sheet: /POWER/	
Title: SATURN SPARTAN6 FPGA MODULE	
Size: A4	Date: 20 may 2014
KiCad E.D.A.	Rev: Id: 2/6

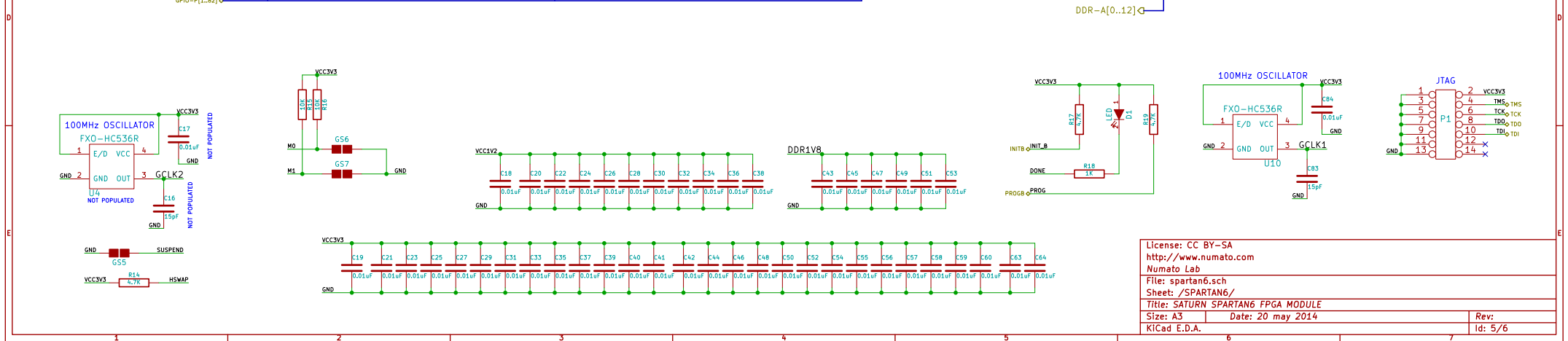
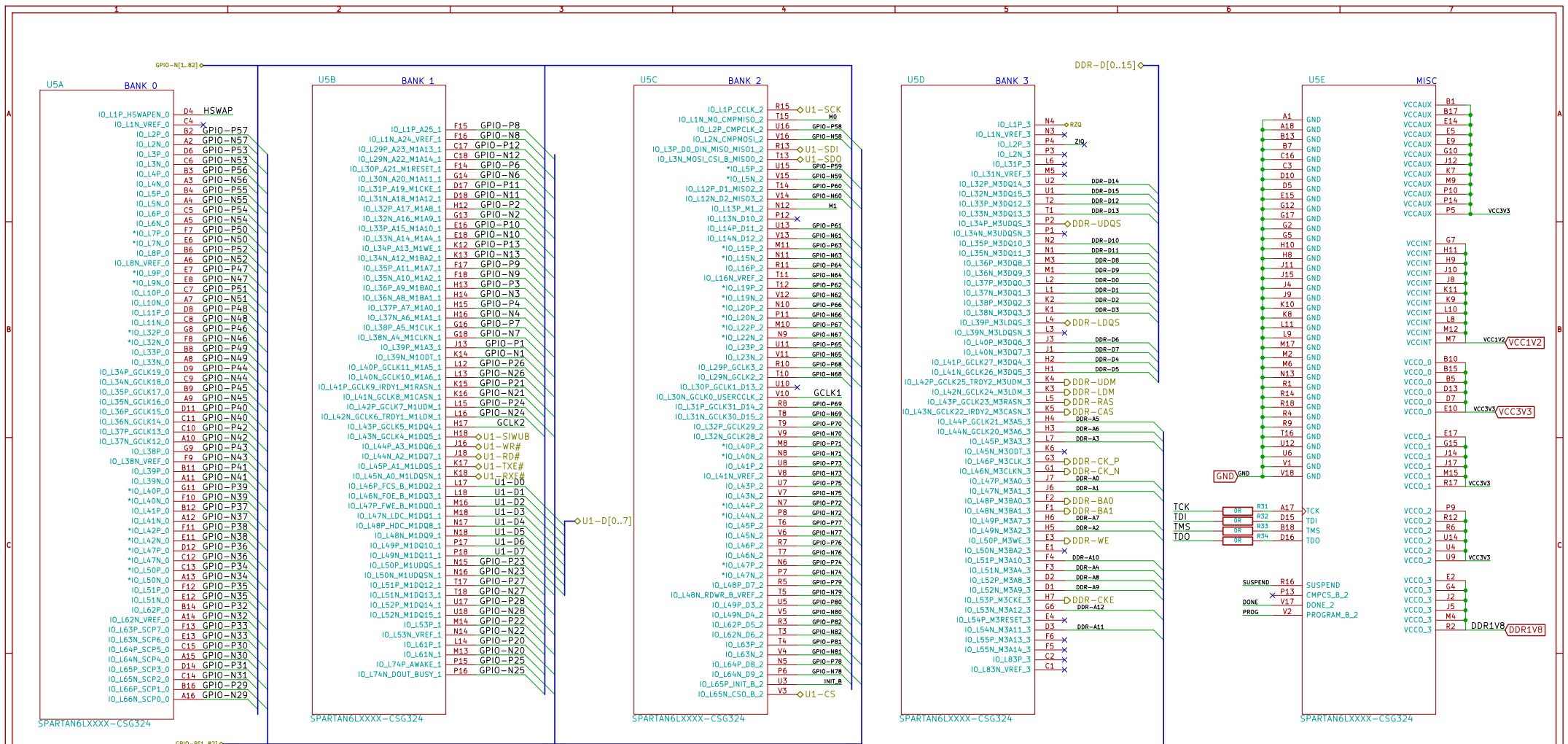
# HEADER P3

# HEADER P2





License: CC BY-SA		
<a href="http://www.numato.com">http://www.numato.com</a>		
Numato Lab		
File: ram.sch		
Sheet: /RAM/		
Title: SATURN SPARTAN6 FPGA MODULE		
Size: A4	Date: 20 may 2014	Rev:
KiCad E.D.A.		Id: 4/6



License: CC BY-SA  
<http://www.numato.com>  
 Numato Lab  
 File: spartan6.sch  
 Sheet: /SPARTAN6/  
 Title: SATURN SPARTAN6 FPGA MODULE  
 Size: A3 Date: 20 may 2014  
 KiCad E.D.A. Rev: 5/6

